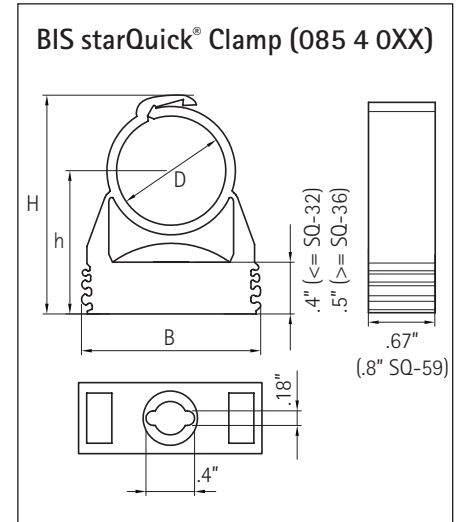


Selection Chart

BIS starQuick® System

Part No.	Type	D (mm)	IP (")	CT (")	B (")	H (")	D (")	Fa,z (lbs)	Fb,z (lbs)
085 4 010	SQ--10	10 - 12	-	1/4	1.1	1.3	0.91	38	112
085 4 012	SQ--12	12 - 14	1/4	3/8	1.1	1.3	0.91	40	123
085 4 015	SQ--15	14 - 16	-	1/2	1.1	1.4	0.94	45	134
085 4 018	SQ--17	16 - 20	3/8	5/8	1.1	1.6	1.00	51	157
085 4 022	SQ--20	20 - 23	1/2	3/4	1.1	1.7	1.10	60	179
085 4 028	SQ--25	24 - 28	3/4	-	1.6	2.0	1.20	63	191
085 4 031	SQ--28	28 - 32	-	1	1.6	2.1	1.30	67	202
085 4 035	SQ--32	32 - 35	1	1 1/4	1.7	2.2	1.30	74	224
085 4 038	SQ--36	35 - 40	-	-	1.9	2.6	1.60	83	247
085 4 042	SQ--40	40 - 44	1 1/4	1 1/2	2.0	2.8	1.70	90	269
085 4 050	SQ--47	44 - 50	-	-	2.2	3.0	1.80	96	292
085 4 054	SQ--51	48 - 55	1 1/2	2	2.5	3.2	1.90	105	314
085 4 063	SQ--59	59 - 65	2	-	2.9	3.7	2.20	112	337



Fa = maximum allowed load, Fb = breaking load

Plastic Pipe	Nominal pipe size / actual pipe outside diameter								
	1/8" ID .405" OD	1/4" .540"	3/8" .675"	1/2" .840"	3/4" 1.050"	1" 1.315"	1.1/4" 1.660"	1.1/2" 1.900"	2" 2.375"
PVC Schedules 40, 80 & 120	085 4 010 SQ--10	085 4 012 SQ--12	085 4 018 SQ-17	085 4 022 SQ-20	085 4 028 SQ-25	085 4 035 SQ-32	085 4 042 SQ-40	085 4 050 SQ-47	085 4 063 SQ-59
CPVC Schedules 40 & 80	-	085 4 012 SQ-12	085 4 018 SQ-17	085 4 022 SQ-20	085 4 028 SQ-25	085 4 035 SQ-32	085 4 042 SQ-40	085 4 050 SQ-47	085 4 063 SQ-59
ABS Schedules 40 & 80	-	-	085 4 018 SQ-17	085 4 022 SQ-20	085 4 028 SQ-25	085 4 035 SQ-32	085 4 042 SQ-40	085 4 050 SQ-47	085 4 063 SQ-59
PE Schedules 40 & 80	-	085 4 012 SQ-12	085 4 018 SQ-17	085 4 022 SQ-20	085 4 028 SQ-25	085 4 035 SQ-32	085 4 042 SQ-40	085 4 050 SQ-47	085 4 063 SQ-59
PP Schedules 40 & 80	-	-	085 4 018 SQ-17	085 4 022 SQ-20	085 4 028 SQ-25	085 4 035 SQ-32	085 4 042 SQ-40	085 4 050 SQ-47	085 4 063 SQ-59
PVDF Schedule 80	-	-	085 4 018 SQ-17	085 4 022 SQ-20	085 4 028 SQ-25	085 4 035 SQ-32	085 4 042 SQ-40	085 4 050 SQ-47	085 4 063 SQ-59
PB Schedule 80	-	-	085 4 018 SQ-17	085 4 022 SQ-20	085 4 028 SQ-25	085 4 035 SQ-32	085 4 042 SQ-40	085 4 050 SQ-47	085 4 063 SQ-59
Fiberglass Reinforced pipe standard + extra heavy	-	-	-	085 4 022 SQ-20	085 4 028 SQ-25	085 4 035 SQ-32	-	085 4 050 SQ-47	085 4 063 SQ-59

085 4 OXX = Part No. / SQ-XX = Type

Metal Pipe	Nominal pipe size / actual pipe outside diameter								
	1/8" ID .405" OD	1/4" .540"	3/8" .675"	1/2" .840"	3/4" 1.050"	1" 1.315"	1.1/4" 1.660"	1.1/2" 1.900"	2" 2.375"
Galvanized Carbon Steel Schedules 5s, 10s, 40 & 80	085 4 010 SQ-10	085 4 012 SQ-12	085 4 018 SQ-17	085 4 022 SQ-20	085 4 028 SQ-25	085 4 035 SQ-32	085 4 042 SQ-40	085 4 050 SQ-47	085 4 063 SQ-59
Stainless Steel Schedules 5s, 10s, 40 & 80	085 4 010 SQ-10	085 4 012 SQ-12	085 4 018 SQ-17	085 4 022 SQ-20	085 4 028 SQ-25	085 4 035 SQ-32	085 4 042 SQ-40	085 4 050 SQ-47	085 4 063 SQ-59
Red & Yellow Brass & Copper Regular & Extra Strong	085 4 010 SQ-10	085 4 012 SQ-12	085 4 018 SQ-17	085 4 022 SQ-20	085 4 028 SQ-25	085 4 035 SQ-32	-	085 4 050 SQ-47	085 4 063 SQ-59
Aluminium 5s, 10s, 40 & 80	085 4 010 SQ-10	085 4 012 SQ-12	085 4 018 SQ-17	085 4 022 SQ-20	085 4 028 SQ-25	085 4 035 SQ-32	085 4 042 SQ-40	085 4 050 SQ-47	085 4 063 SQ-59

085 4 0XX = Part No. / SQ-XX = Type

Copper Tube	Nominal tube size / actual tube outside diameter								
	1/4" .375"	3/8" .500"	1/2" .625"	5/8" .750"	3/4" .875"	1" 1.125"	1.1/4" 1.375"	1.1/2" 1.625"	2" 2.125"
ACR	085 4 010 SQ-10	085 4 012 SQ-12	085 4 015 SQ-15	085 4 018 SQ-17	085 4 022 SQ-20	085 4 031 SQ-28	085 4 035 SQ-32	085 4 042 SQ-40	085 4 054 SQ-51
Refrigeration Service	085 4 010 SQ-10	085 4 012 SQ-12	085 4 015 SQ-15	085 4 018 SQ-17	085 4 022 SQ-20	085 4 031 SQ-28	085 4 035 SQ-32	085 4 042 SQ-40	085 4 054 SQ-51
Type K, L, M	085 4 010 SQ-10	085 4 012 SQ-12	085 4 015 SQ-15	085 4 018 SQ-17	085 4 022 SQ-20	085 4 031 SQ-28	085 4 035 SQ-32	085 4 042 SQ-40	085 4 054 SQ-51
DWV	-	-	-	-	-	-	085 4 035 SQ-32	085 4 050 SQ-47	085 4 054 SQ-51

085 4 0XX = Part No. / SQ-XX = Type

Plastic Tube	Nominal tube size / actual tube outside diameter							
	1/4" .375"	3/8" .500"	1/2" .625"	3/4" .875"	1" 1.125"	1.1/4" 1.375"	1.1/2" 1.625"	2" 2.125"
Polybutylene	085 4 010 SQ-10	085 4 012 SQ-12	085 4 015 SQ-15	085 4 022 SQ-20	085 4 031 SQ-28	085 4 035 SQ-32	085 4 042 SQ-40	085 4 054 SQ-51
PVC	-	-	085 4 015 SQ-15	085 4 022 SQ-20	085 4 031 SQ-28	085 4 035 SQ-32	085 4 042 SQ-40	085 4 054 SQ-51
PEX	085 4 010 SQ-10	085 4 012 SQ-12	085 4 015 SQ-15	085 4 022 SQ-20	085 4 031 SQ-28	085 4 035 SQ-32	085 4 042 SQ-40	085 4 054 SQ-51
CPVC	-	085 4 012 SQ-12	085 4 015 SQ-15	085 4 022 SQ-20	085 4 031 SQ-28	085 4 035 SQ-32	085 4 042 SQ-40	085 4 054 SQ-51
DWV	-	-	085 4 015 SQ-15	085 4 022 SQ-20	085 4 031 SQ-28	085 4 035 SQ-32	085 4 042 SQ-40	085 4 054 SQ-51

See manufacturers sales information for sizing information.

085 4 0XX = Part No. / SQ-XX = Type

Electrical Conduit Rigid	Nominal tube size / actual tube outside diameter					
	1/2"	3/4"	1"	1.1/4"	1.1/2"	2"
EMT (Galvanized Steel)	085 4 018 SQ-17	085 4 022 SQ-20	085 4 031 SQ-28	085 4 038 SQ-36	085 4 042 SQ-40	-
IMC (Galvanized Steel & Aluminium)	085 4 022 SQ-20	085 4 028 SQ-25	085 4 031 SQ-28	085 4 038 SQ-36	085 4 050 SQ-47	085 4 063 SQ-59
Rigid (Galvanized Steel & Aluminium)	085 4 022 SQ-20	085 4 028 SQ-25	085 4 031 SQ-28	085 4 038 SQ-36	085 4 050 SQ-47	085 4 063 SQ-59
PVC Schedules 40 & 80	085 4 022 SQ-20	085 4 028 SQ-25	085 4 031 SQ-28	085 4 038 SQ-36	085 4 050 SQ-47	085 4 063 SQ-59
40 mm PVC Coated Rigid (Galvanized Steel & Alum.)	085 4 022 SQ-20	085 4 031 SQ-28	085 4 031 SQ-28	085 4 038 SQ-36	085 4 054 SQ-51	085 4 063 SQ-59
40 mm PVC Coated IMC (Galvanized Steel & Alum.)	085 4 022 SQ-20	085 4 031 SQ-28	085 4 031 SQ-28	085 4 038 SQ-36	085 4 054 SQ-51	-
24 mm PVC Coated EMT (Galvanized Steel)	085 4 018 SQ-17	085 4 028 SQ-25	085 4 031 SQ-28	085 4 038 SQ-36	085 4 050 SQ-47	-
Fiberglass (Small diameter tube dimensions)	-	-	-	-	-	085 4 054 SQ-51
Fiberglass Standard & (Heavy wall pipe dimens.)	-	085 4 028 SQ-25	085 4 031 SQ-28	085 4 038 SQ-36	085 4 054 SQ-51	085 4 063 SQ-59
Other speciality as Stainless Steel, Everdur same O.D. as IMC and Rigid	085 4 022 SQ-20	085 4 028 SQ-25	085 4 031 SQ-28	085 4 038 SQ-36	085 4 050 SQ-47	085 4 063 SQ-59

085 4 0XX = Part No. / SQ-XX = Type

Electrical Conduit Flexible	Nominal tube size / actual tube outside diameter								
	1/4"	5/16"	3/8"	1/2"	3/4"	1"	1.1/4"	1.1/2"	2"
Flexible Metal (Galvanized Steel & Aluminium)	-	085 4 012 SQ-12	085 4 015 SQ-15	085 4 022 SQ-20	085 4 028 SQ-25	085 4 035 SQ-32	085 4 042 SQ-40	085 4 050 SQ-47	085 4 063 SQ-59
Liquidtight Flexible (Metallic & Non-Metallic)	085 4 010 SQ-10	085 4 015 SQ-15	085 4 018 SQ-17	085 4 022 SQ-20	085 4 028 SQ-25	085 4 035 SQ-32	085 4 042 SQ-40	085 4 050 SQ-47	085 4 063 SQ-59
Corrugated Flexible (Non- Metallic & Liquidtight)	-	-	085 4 018 SQ-17	085 4 022 SQ-20	085 4 028 SQ-25	085 4 035 SQ-32	085 4 042 SQ-40	085 4 050 SQ-47	085 4 063 SQ-59
ENMT (Electric Non-Metallic)	-	-	-	085 4 022 SQ-20	085 4 028 SQ-25	085 4 035 SQ-32	-	-	-
Corrlock® Flexible Nylon	-	-	085 4 015 SQ-15	085 4 022 SQ-20	085 4 031 SQ-28	085 4 035 SQ-32	085 4 042 SQ-40	085 4 054 SQ-51	-
Liquatite® (Non-Metallic Flexible (LNM & LNMP))	-	-	085 4 018 SQ-17	085 4 022 SQ-20	085 4 028 SQ-25	085 4 035 SQ-32	085 4 042 SQ-40	085 4 050 SQ-47	085 4 063 SQ-59
Other speciality as Corrugated Ducts for Fiber Optics, same O.D. as Rigid	-	-	-	-	-	085 4 035 SQ-32	085 4 042 SQ-40	085 4 050 SQ-47	085 4 063 SQ-59

085 4 0XX = Part No. / SQ-XX = Type

Other Tube	Nominal tube size / actual tube outside diameter								
	1/8" .405	1/4" .54	3/8" .675	1/2" .84	3/4" 1.05	1" 1.315	1.1/4" 1.66	1.1/2" 1.9	2" 2.375
Galvanized Steel	085 4 010 SQ-10	085 4 012 SQ-12	085 4 018 SQ-17	085 4 022 SQ-20	085 4 028 SQ-25	085 4 035 SQ-32	085 4 042 SQ-40	085 4 050 SQ-47	085 4 063 SQ-59
Stainless Steel	085 4 010 SQ-10	085 4 012 SQ-12	085 4 018 SQ-17	085 4 022 SQ-20	085 4 028 SQ-25	085 4 035 SQ-32	085 4 042 SQ-40	085 4 050 SQ-47	085 4 063 SQ-59
Aluminium	085 4 010 SQ-10	085 4 012 SQ-12	085 4 018 SQ-17	085 4 022 SQ-20	085 4 028 SQ-25	085 4 035 SQ-32	085 4 042 SQ-40	085 4 050 SQ-47	085 4 063 SQ-59

085 4 0XX = Part No. / SQ-XX = Type

Copper Wire	BIS starQuick® & Grounding Conductors					
	Part No. Type	Bare Stranded Copper OD	Part No. Type	Thhn OD	Part No. Type	Thw OD
#3	-	-	-	-	085 4 010 SQ-10	0.390"
#2	-	-	085 4 010 SQ-10	0.390" - 0.400"	085 4 010 SQ-10	0.420"
#1	-	-	085 4 010 SQ-10	0.450" - 0.460"	085 4 012 SQ-12	0.490" - 0.500"
#1/o	085 4 010 SQ-10	0.373"	085 4 012 SQ-12	0.490" - 0.500"	085 4 012 SQ-12	0.530" - 0.540"
#2/o	085 4 010 SQ-10	0.419"	085 4 012 SQ-12	0.540" - 0.550"	085 4 015 SQ-15	0.580" - 0.590"
#3/o	085 4 012 SQ-12	0.470"	085 4 015 SQ-15	0.590" - 0.600"	085 4 015 SQ-15	0.630" - 0.640"
#4/o	085 4 012 SQ-12	0.528"	085 4 018 SQ-17	0.650" - 0.660"	085 4 018 SQ-17	0.690" - 0.700"
250 MCM	085 4 015 SQ-15	0.575"	085 4 018 SQ-17	0.720" - 0.730"	085 4 018 SQ-17	0.770" - 0.780"
350 MCM	085 4 018 SQ-17	0.681"	085 4 022 SQ-20	0.820" - 0.840"	085 4 022 SQ-20	0.870" - 0.880"
400 MCM	085 4 018 SQ-17	0.728"	085 4 022 SQ-20	0.880"	085 4 022 SQ-20	0.920" - 0.930"
500 MCM	085 4 022 SQ-20	0.813"	085 4 028 SQ-25	0.960" - 0.970"	085 4 028 SQ-25	1.010" - 1.100"
750 MCM	085 4 028 SQ-25	0.998"	085 4 031 SQ-28	1.180"	085 4 031 SQ-28	1.230"
1000 MCM	085 4 031 SQ-28	1.152"	085 4 035 SQ-32	1.330"	085 4 035 SQ-32	1.380"

085 4 0XX = Part No. / SQ-XX = Type