

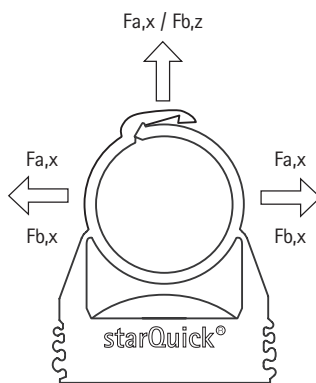
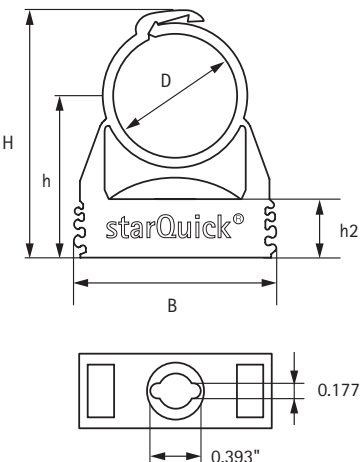
## starQuick® Clamp



### Product Specifications:

- For use with all pipe materials
- One-part clamp closes by applying pressure to the pipe
- For both indoor and outdoor use
- Due to a patented profile, it is possible to tack several clamps to each other (up to 1-1/4" CP)
- Resistant to UV, aging, oil and gasoline
- Corrosion-free, recyclable, halogen-free
- Temperature resistance: from approximately -104°F to approximately 194°F constant, approximately 266°F peak (Note: temperature must be above 15°F during installation process)
- Plenum rated - tested to ASTM E-84
- Material: modified PA6 (polyamide)

Item Number	Type	D / CTS (inches)	D / IPS (inches)	D (mm)	B (inches)	b (inches)	H (inches)	h (inches)	h2 (inches)	Fa,z (lbs)	Fb,z (lbs)	Items per pkg
0854010	SQ-10	1/4	-	10-12	1.1	0.67	1.3	0.91	0.413	38	112	100
0854012	SQ-12	3/8	1/4	12-14	1.1	0.67	1.3	0.91	0.413	40	123	100
0854015	SQ-15	1/2	3/8	14-16	1.1	0.67	1.4	0.94	0.413	45	134	100
0854018	SQ-17	5/8	-	16-20	1.1	0.67	1.6	1.00	0.413	51	157	100
0854022	SQ-20	3/4	1/2	20-23	1.1	0.67	1.7	1.10	0.413	60	179	50
0854028	SQ-25	-	3/4	24-28	1.6	0.67	2.0	1.20	0.413	63	191	50
0854031	SQ-28	1	-	28-32	1.6	0.67	2.1	1.30	0.413	67	202	50
0854035	SQ-32	1-1/4	1	32-35	1.7	0.67	2.2	1.30	0.413	74	224	50
0854038	SQ-36	1-3/8	-	35-40	1.9	0.67	2.6	1.60	0.472	83	247	25
0854042	SQ-40	1-1/2	1-1/4	40-44	2.0	0.67	2.8	1.70	0.472	90	269	25
0854050	SQ-47	1-3/4"	-	44-50	2.2	0.67	3	1.80	0.472	96	292	25
0854054	SQ-51	2	1-1/2	48-55	2.5	0.67	3.2	1.90	0.472	105	314	15
0854063	SQ-59	-	2	59-65	2.9	0.78	3.7	2.20	0.472	112	337	15
08541075	SQ-75	-	2-1/2	71-76	4.13	1.53	4.50	2.88	1.10	200	-	50
08541090	SQ-90	-	3	88-93	4.50	1.53	5.25	3.25	1.25	200	-	40
08541110	SQ-110	-	4	109-115	5.75	1.53	6.50	3.75	1.38	200	-	25



<b>PRODUCT SUBMITTAL</b> Date:	
Job Name:	
Part No.	Qty:
Architect / Owner:	
Contractor:	
Notes:	

THE INFORMATION CONTAINED IN THIS SUBMITTAL SHEET IS PROPRIETARY TO WALRAVEN, INC. AND IS SUBJECT TO CHANGE WITHOUT NOTICE. THIS INFORMATION MAY NOT BE REPRODUCED IN PART OR WHOLE WITHOUT WRITTEN AUTHORIZATION FROM WALRAVEN, INC.

