

BIS Yeti® 335 Step-Over Set (2 steps) 1000x1000mm - H44 with railing

Part no. 67685821

EN Assembly instruction
DE Montageanleitung
NL Montage-instructie
FR Instructions de montage
ES Instrucciones de montaje
PT Instrução de montagem

PL Instrukcja montażu
CZ Montážní návod
SK Montážny návod
RO Instrucțiuni de montaj
RU Инструкция по монтажу
UA Інструкція з монтажу

DK Monteringsvejledning
SE Monteringsanvisninga
NO Montasjeanvisning
IT Istruzioni di montaggio



UK +44 (0)1295 75 34 00
DE +49 (0)921 75 60 0
NL +31 (0)297 23 30 00
BE +32 (0)16 82 20 40
FR +33 (0)4 76 04 10 70

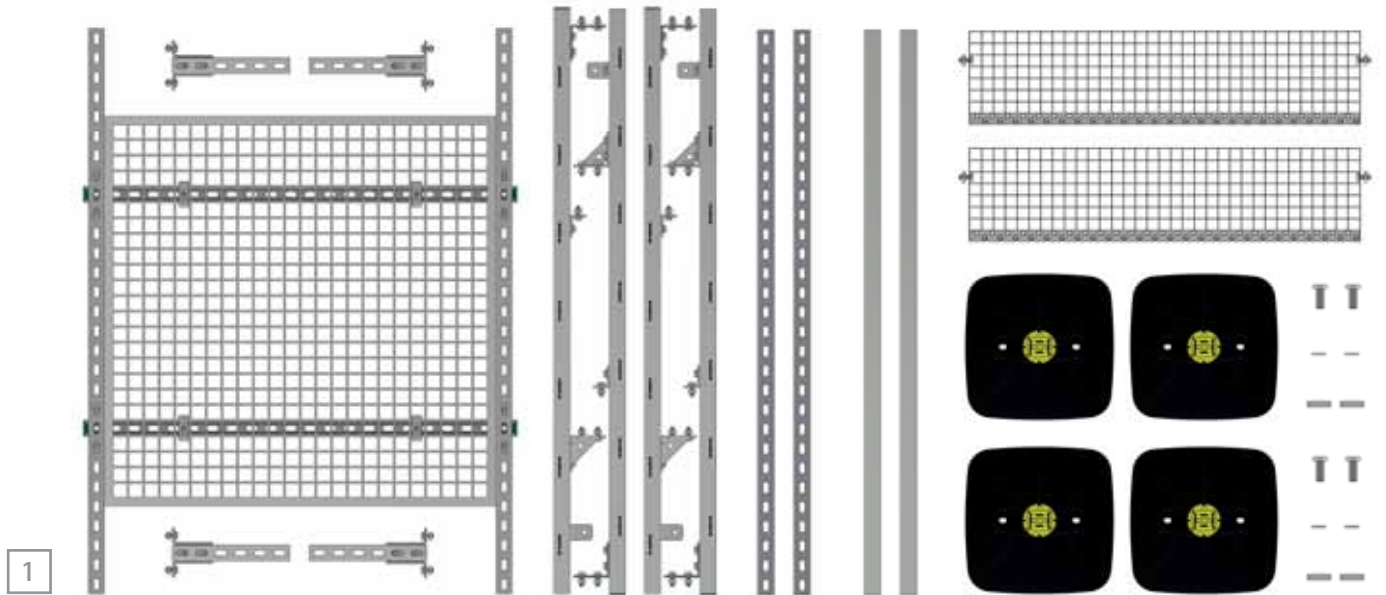
ES +34 93 721 33 75
PL +48 12 684 00 95
CZ/SK +420 326 724 009
HU (+36 1) 920 2458
RU +7 (495) 664 35 08

UA +380 44 351 27 47
US +1 800 610 5056
DK +45 46 37 05 10
SE +46 (0)40 36 54 20
NO +45 46 37 05 10

CN +86 21 5176 0268
SG +65 9146 8260
Other countries
+31 (0)297 23 30 00

BIS Yeti® 335 Step-Over Set (2 steps) 1000x1000mm - H44 with railing

Part no. 67685821



M10: 25 Nm
M12: 60 Nm



SG Bauakustik
Nr. 1762-001-18

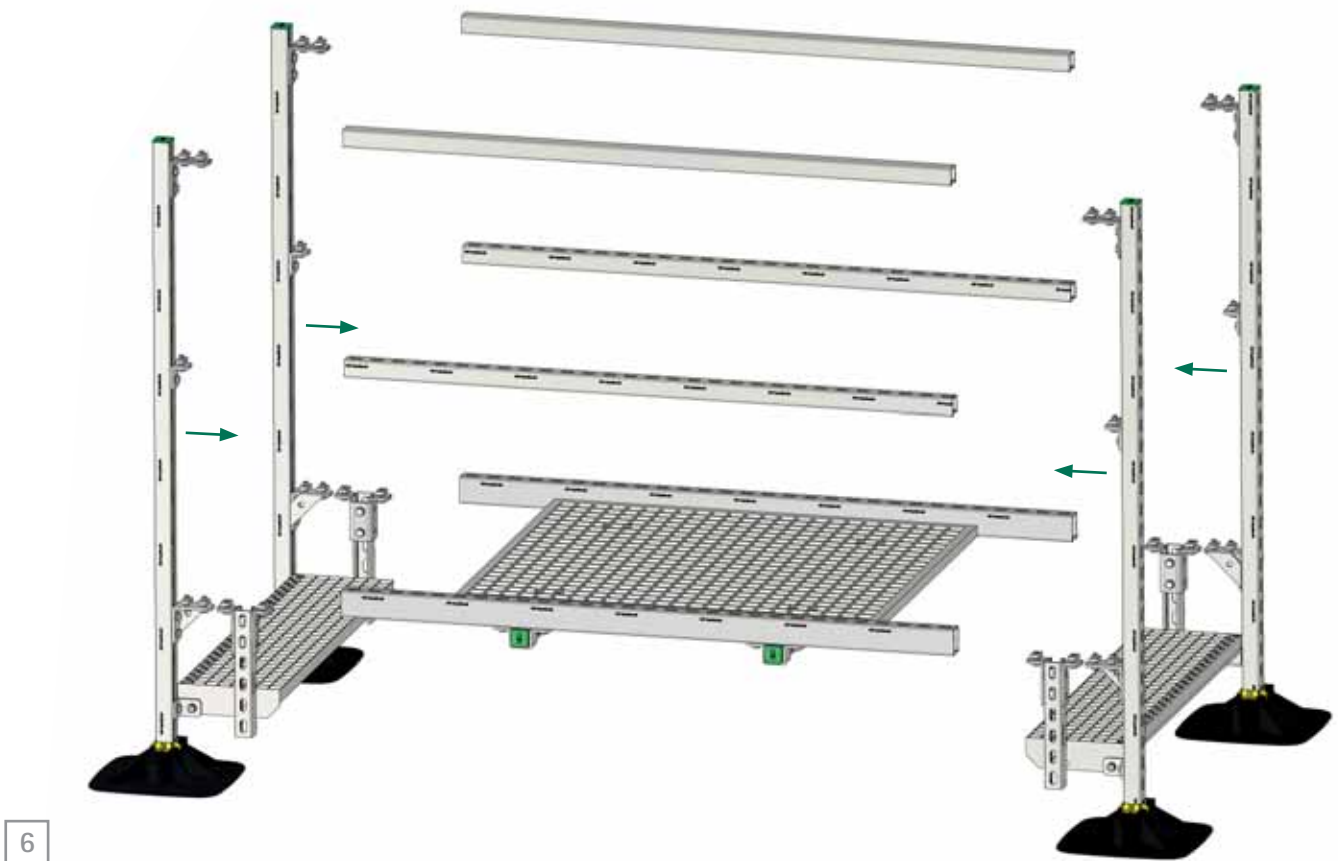
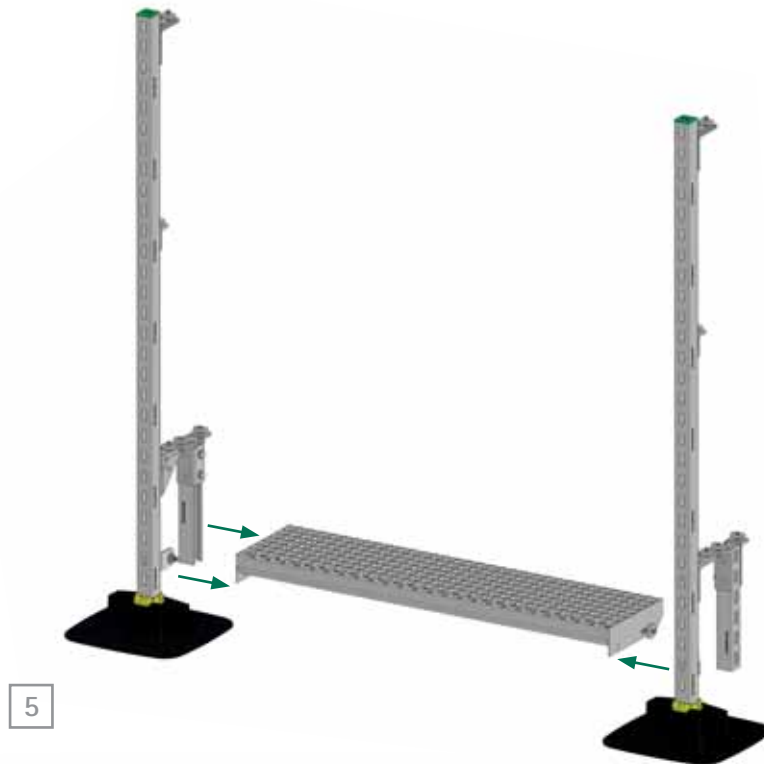


ITB Institute Report No.
LZM00-02259/20/Z00NZM



BIS Yeti[®] 335 Step-Over Set (2 steps) 1000x1000mm - H44 with railing

Part no. 67685821



9660000346 - Assembly Instruction BIS Yeti[®] 335 Step-Over Set (2 steps) 1000x1000mm - H44 with railing - 11/2022 - pdf - Full content subject to modifications