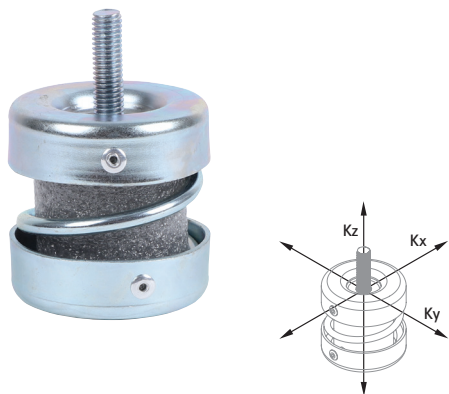


# Walraven VibraTek® MS-M Spring Mount Mini

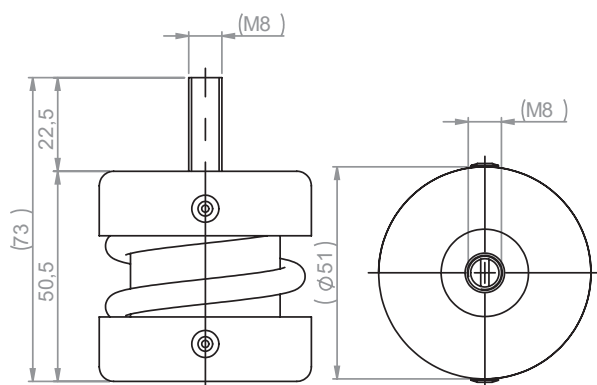
Compact spring isolator for light equipment



## Features and Benefits

- Low-rise spring isolator with M8 external thread for light equipment or tight spaces
- Recommended for machinery with working speeds above 1000 rpm
- Steel frame attached to spring mechanically with metal rivets
- Surface treatment: zinc-plated
- Average ratio  $K_x / K_z = K_y / K_z = 1.3$
- Working temperature range  $-90\text{ }^{\circ}\text{C}$  till  $150\text{ }^{\circ}\text{C}$

## Technical Drawing



## Applications

- All types of machinery with working RPM speeds of 1000 or more

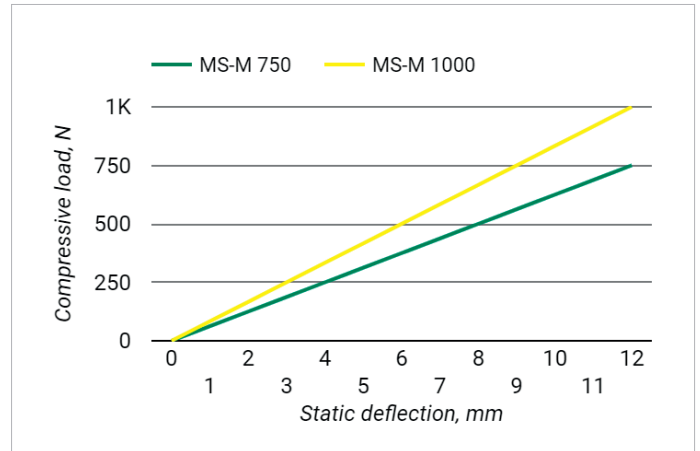
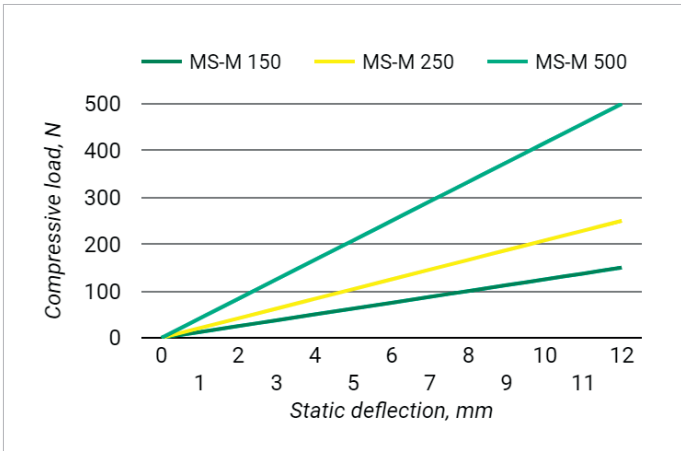
## 1. Product and packaging details

Part No.	Description	Dimension	Piece		Pack 1	
			(pcs)	EAN13	(pcs)	EAN13
2800200150	MS-M Spring Mount Mini	150/M8	1	8719942045186	50	8719942045193
2800200250	MS-M Spring Mount Mini	250/M8	1	8719942045216	50	8719942045216
2800200500	MS-M Spring Mount Mini	500/M8	1	8719942045247	50	8719942045254
2800200750	MS-M Spring Mount Mini	750/M8	1	8719942045278	50	8719942045285
2800201000	MS-M Spring Mount Mini	1000/M8	1	8719942045308	50	8719942045315

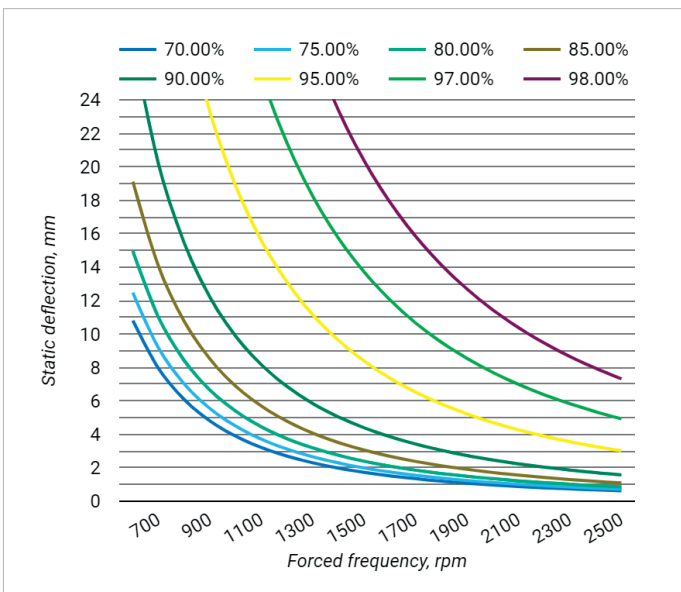
## 2. Performance data

Part No.	Description	Dimension	Max. deflection (mm)	Min. load (N)	Max. load (N)	Optimal load (N)
2800200150	MS-M Spring Mount Mini	150/M8	12	25	150	30-140
2800200250	MS-M Spring Mount Mini	250/M8	12	40	250	50-230
2800200500	MS-M Spring Mount Mini	500/M8	12	80	500	100-450
2800200750	MS-M Spring Mount Mini	750/M8	12	125	750	150-680
2800201000	MS-M Spring Mount Mini	1000/M8	12	125	1000	200-980

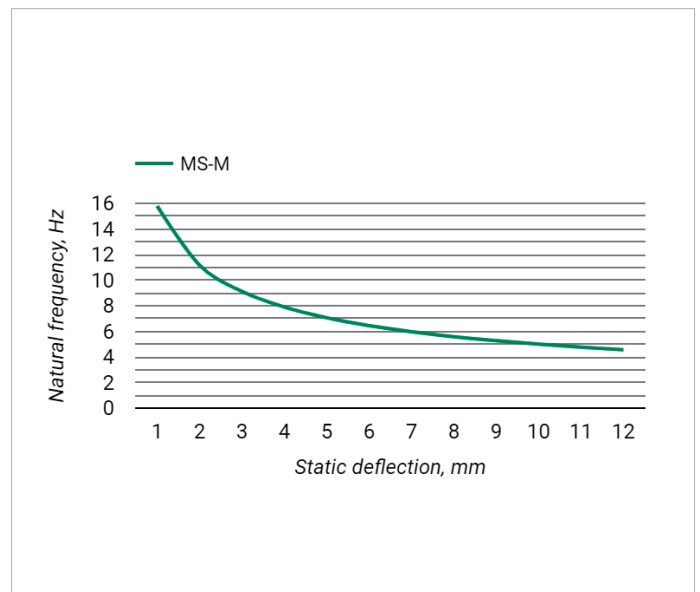
### 2.1 Static deflection



### 2.2 Isolation efficiency



### 2.3 Natural frequency



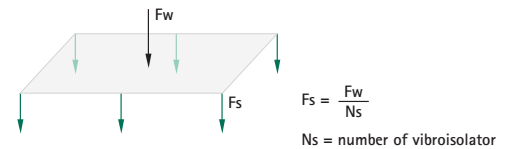
### 3. Dynamic properties

Description	Value
Damping factor	0.005
Average ratio $K_x / K_z = K_y / K_z$	1.3
Maximum transient overload % on maximum load	50 %
Working temperature range	-90 °C till 150 °C

4. Estimation of performance

Part No.	Applied load		Deflection (mm)	rpm Hz	Damping efficiency upon disturbing vibration (%)							
	(N)	(~kg)			500	800	1000	1200	1500	2000	2500	
					8.3	13.3	16.7	20.0	25.0	33.3	41.7	
2800200150	100	10	8.0		18.6	78.7	87.4	91.6	94.8	97.1	98.2	
	150	15	12.0		57.3	86.8	91.9	94.5	96.6	98.1	98.8	
2800200250	200	20	9.6		40.3	82.9	89.7	93.1	95.7	97.6	98.5	
	250	25	12.0		57.3	86.8	91.9	94.5	96.6	98.1	98.8	
2800200500	350	36	8.4		25.4	80.0	88.0	92.0	95.0	97.3	98.3	
	500	51	12.0		57.3	86.8	91.9	94.5	96.6	98.1	98.8	
2800200750	550	56	8.8		31.1	81.0	88.6	92.4	95.3	97.4	98.3	
	600	61	9.6		40.3	82.9	89.7	93.1	95.7	97.6	98.5	
	750	76	12.0		57.3	86.8	91.9	94.5	96.6	98.1	98.8	
2800201000	850	87	10.2		45.7	84.1	90.4	93.5	95.9	97.8	98.6	
	1000	102	12.0		57.3	86.8	91.9	94.5	96.6	98.1	98.8	

- 1 Select vibroisolator load capacity in the table - greater or equal to Fs
- 2 Horizontally to the left you can see the product number of Walraven VibraTek®
- 3 Horizontally to the right, you can read the deflection
- 4 Locate the column with a frequency lower than 2300 rpm
- 5 Read the damping performance at: cross deflection and frequency



V (%)		Description of damping efficiency		
99	Excellent	Hospitals, hotels, facilities cultural (theaters, centers congress, auditorium)	Residential and office buildings, adjoining rooms to living spaces	Normal requirements: cellars, facilities industrial, shopping centers
93	Perfect			
88	Very good			
81	Good			
67	Sufficient			
20	Medium	Low attenuation or negative impact - contact with the Technical Sales Support Department, to get an alternative solution		
0	No change			
Resonance	Better without insulation			

## Find out how we can support you

Would you like to find out more about any of the solutions described in this Technical Data Sheet?  
Or would you like to discuss how we could help you find the best possible solution for your project?  
Get in touch today!

### Walraven International

Industrieweg 5  
3641 RK Mijdrecht (NL)  
Tel. +31 297 23 30 00  
Fax +31 297 23 30 99  
[export@walraven.com](mailto:export@walraven.com)

### Walraven Group

Mijdrecht (NL) · Tienen (BE) · Bayreuth (DE) · Banbury (GB) · Malmö (SE) · Grenoble (FR) · Barcelona (ES) · Milan (IT)  
Kraków (PL) · Mladá Boleslav (CZ) · Kyiv (UA) · Danville (US) · Shanghai (CN) · Dubai (AE) · Budapest (HU) · Mumbai (IN)  
Singapore (SG) · Burlington (CA) · Athens (GR)

Technical Data Sheet Walraven VibraTek® MS-M Spring Mount Mini (INT) - 03/2024 - PDF - Full content subject to modifications  
\* The technical data are non-binding and do not reflect the warranty characteristics of the products. They are subject to change. Please consult our General Terms and Conditions. Additional information is available upon request. It is the designer's responsibility to select products suitable for the intended purpose and to ensure that performance data are not exceeded. The installation instructions should always be read and followed.