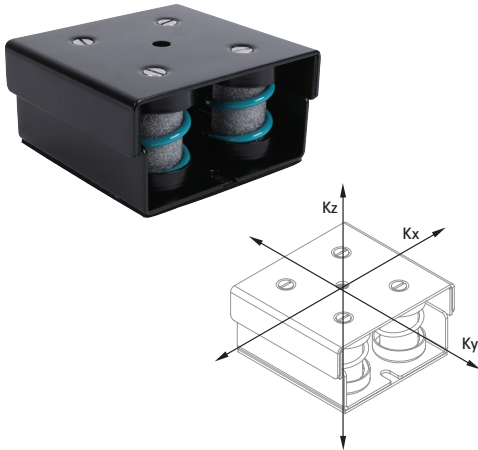


Walraven VibraTek® MS-4 Spring Mount

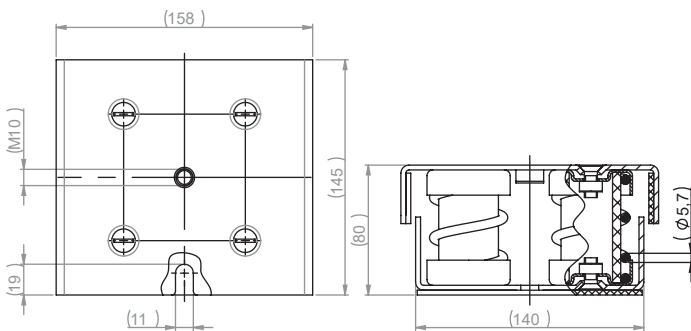
High performance spring isolator for medium to heavy equipment



Features and Benefits

- Recommended for equipment with low working speeds, from 600 rpm and above
- Flexible internal filler prevents debris and solid elements entering and damaging the spring under load
- Ribs in the metal base provide increased stiffness
- Slot holes facilitate positioning and anchoring to the base material
- Epoxy powder-coated base, caps and springs provide increased resistance to corrosion
- Average ratio $K_x / K_z = K_y / K_z = 2.0$
- Working temperature range $-90\text{ }^\circ\text{C}$ till $150\text{ }^\circ\text{C}$

Technical Drawing



Applications

- Compressors, fans, pumps, other building service machinery

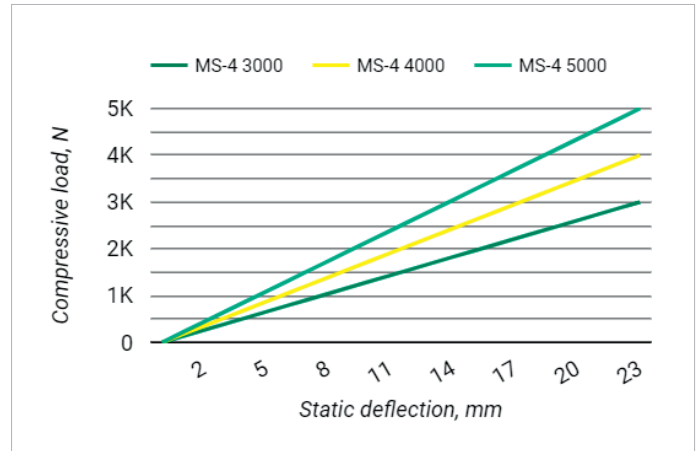
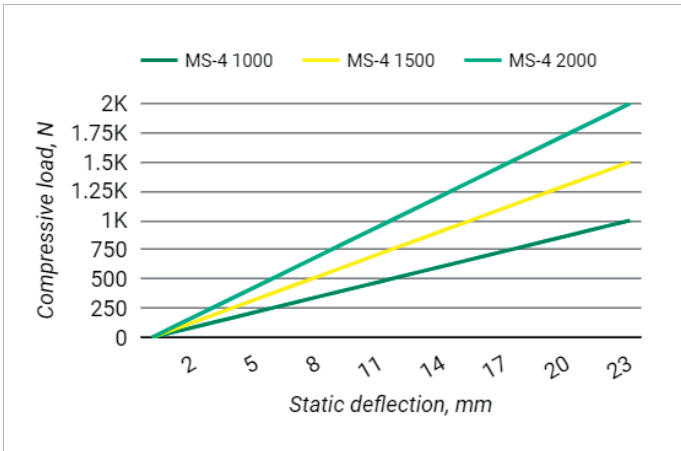
1. Product and packaging details

Part No.	Description	Dimension	Piece		Pack 1	
			(pcs)	EAN13	(pcs)	EAN13
2800501000	MS-4 Spring Mount	1000/M10	1	8719942045742	5	8719942045742
2800501500	MS-4 Spring Mount	1500/M10	1	8719942045773	5	8719942045773
2800502000	MS-4 Spring Mount	2000/M10	1	8719942045803	5	8719942045803
2800503000	MS-4 Spring Mount	3000/M10	1	8719942045834	5	8719942045834
2800504000	MS-4 Spring Mount	4000/M10	1	8719942045865	5	8719942045865
2800505000	MS-4 Spring Mount	5000/M10	1	8719942045896	5	8719942045896

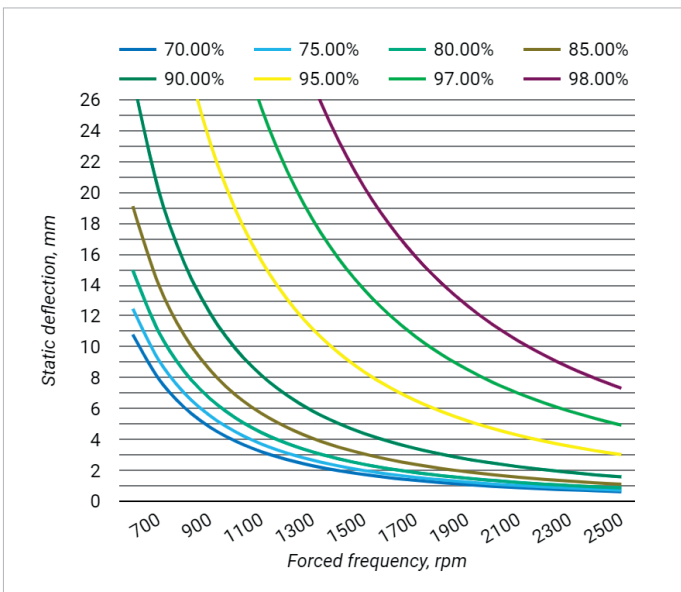
2. Performance data

Part No.	Description	Dimension	Max. deflection (mm)	Min. load (N)	Max. load (N)	Min. optimal load (N)	Max. optimal load (N)
2800501000	MS-4 Spring Mount	1000/M10	23	100	1000	200	900
2800501500	MS-4 Spring Mount	1500/M10	23	130	1500	260	1350
2800502000	MS-4 Spring Mount	2000/M10	23	200	2000	400	1800
2800503000	MS-4 Spring Mount	3000/M10	23	300	3000	700	2700
2800504000	MS-4 Spring Mount	4000/M10	23	400	4000	800	3600
2800505000	MS-4 Spring Mount	5000/M10	23	500	5000	1000	4500

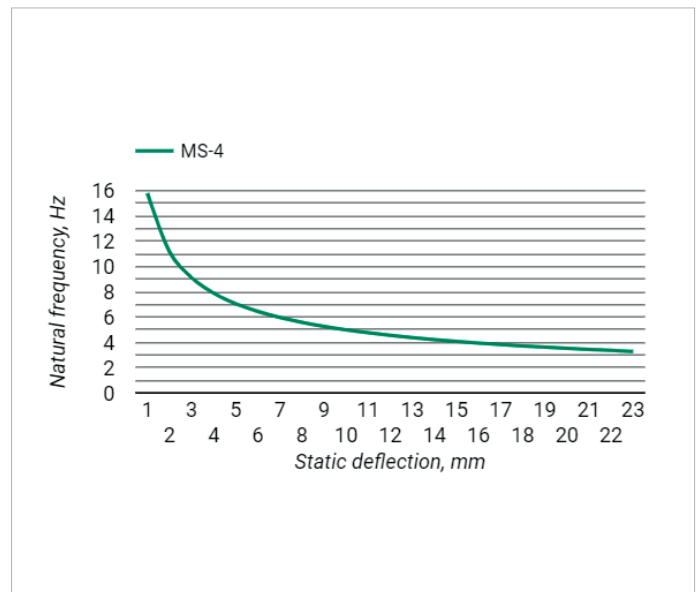
2.1 Static deflection



2.2 Isolation efficiency



2.3 Natural frequency



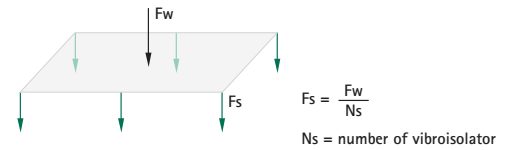
3. Dynamic properties

Description	Value
Damping factor	0.005
Average ratio $K_x / K_z = K_y / K_z$	2.0
Maximum transient overload % on maximum load	50 %
Working temperature range	-90 °C till 150 °C

4. Estimation of performance

Part No.	Applied load		Deflection (mm)	rpm Hz	Damping efficiency upon disturbing vibration (%)						
	(N)	(~kg)			500	800	1000	1200	1500	2000	2500
					8.3	13.3	16.7	20.0	25.0	33.3	41.7
2800501000	800	82	18.4		75.8	91.7	94.9	96.5	97.8	98.8	99.2
	1000	102	23.0		81.5	93.5	95.9	97.2	98.2	99.0	99.4
2800501500	1250	127	19.2		77.0	92.1	95.1	96.6	97.9	98.8	99.2
	1500	153	23.0		81.5	93.5	95.9	97.2	98.2	99.0	99.4
2800502000	1750	178	20.1		78.3	92.5	95.3	96.8	98.0	98.9	99.3
	2000	204	23.0		81.5	93.5	95.9	97.2	98.2	99.0	99.4
2800503000	2250	229	17.3		73.7	91.2	94.5	96.3	97.6	98.7	99.2
	2750	280	21.1		79.5	92.9	95.6	97.0	98.1	98.9	99.3
	3000	306	23.0		81.5	93.5	95.9	97.2	98.2	99.0	99.4
2800504000	3500	357	20.1		78.3	92.5	95.3	96.8	98.0	98.9	99.3
	4000	408	23.0		81.5	93.5	95.9	97.2	98.2	99.0	99.4
2800505000	4250	433	19.6		77.5	92.3	95.2	96.7	97.9	98.8	99.3
	4750	484	21.9		80.3	93.1	95.7	97.1	98.1	99.0	99.3
	5000	510	23.0		81.5	93.5	95.9	97.2	98.2	99.0	99.4

- 1 Select vibroisolator load capacity in the table - greater or equal to Fs
- 2 Horizontally to the left you can see the product number of Walraven VibraTek®
- 3 Horizontally to the right, you can read the deflection
- 4 Locate the column with a frequency lower than 2300 rpm
- 5 Read the damping performance at: cross deflection and frequency



V (%)	Description of damping efficiency		
99	Excellent	Hospitals, hotels, facilities cultural (theaters, centers congress, auditorium)	Residential and office buildings, adjoining rooms to living spaces
93	Perfect		
88	Very good	Normal requirements: cellars, facilities industrial, shopping centers	
81	Good		
67	Sufficient		
20	Medium	Low attenuation or negative impact - contact with the Technical Sales Support Department, to get an alternative solution	
0	No change		
Resonance	Better without insulation		

Find out how we can support you

Would you like to find out more about any of the solutions described in this Technical Data Sheet?
Or would you like to discuss how we could help you find the best possible solution for your project?
Get in touch today!

United Kingdom Ireland

Walraven Ltd.
18 Wildmere Road
Banbury (GB)
Oxon, OX16 3JU
Tel. +44 1295 75 34 00
sales.uk@walraven.com

Walraven Group

Mijdrecht (NL) · Tienen (BE) · Bayreuth (DE) · Banbury (GB) · Malmö (SE) · Grenoble (FR) · Barcelona (ES) · Milan (IT)
Kraków (PL) · Mladá Boleslav (CZ) · Kyiv (UA) · Danville (US) · Shanghai (CN) · Dubai (AE) · Budapest (HU) · Mumbai (IN)
Singapore (SG) · Burlington (CA) · Athens (GR)

Technical Data Sheet Walraven VibratEK® MS-4 Spring Mount (EN) - 05/2024 - PDF - Full content subject to modifications
* The technical data are non-binding and do not reflect the warranted characteristics of the products. They are subject to change. Please consult our General Terms and Conditions. Additional information is available upon request. It is the designer's responsibility to select products suitable for the intended purpose and to ensure that performance data are not exceeded. The installation instructions should always be read and followed.