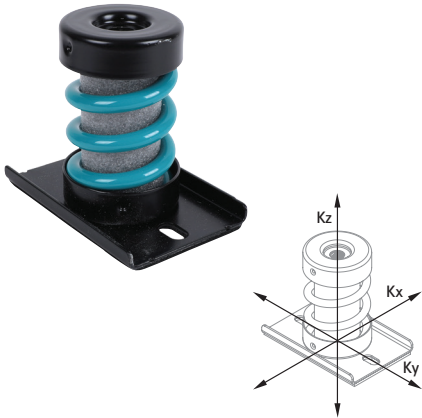


Walraven VibraTek® MS-1X Spring Mount

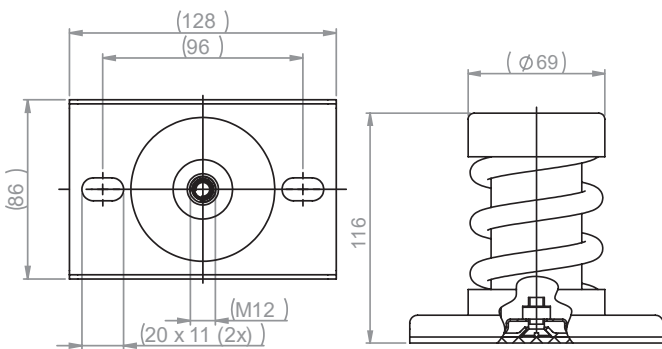
High performance spring isolator for medium to heavy equipment



Features and Benefits

- Recommended for equipment with low working speeds, from 600 rpm and above
- Flexible internal filler prevents debris and solid elements entering and damaging the spring under load
- Ribs in the metal base provide increased stiffness
- Slot holes facilitate positioning and anchoring to the base material
- Epoxy powder-coated base, caps and springs provide increased resistance to corrosion
- Average ratio $K_x / K_z = K_y / K_z = 0.7$
- Working temperature range -90 °C till 150 °C

Technical Drawing



Applications

- Compressors, fans, pumps, other building service machinery

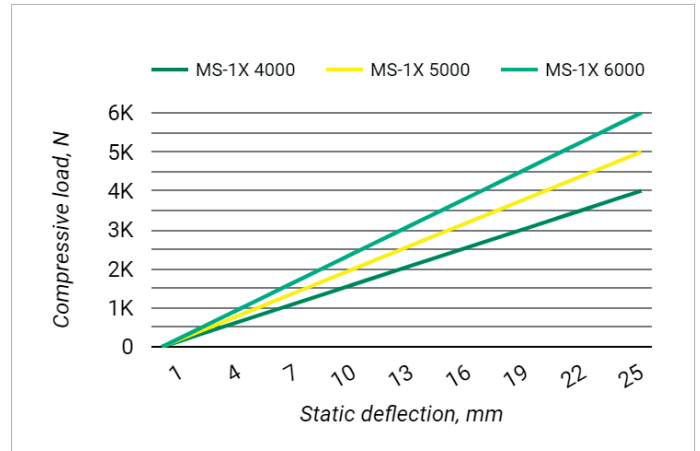
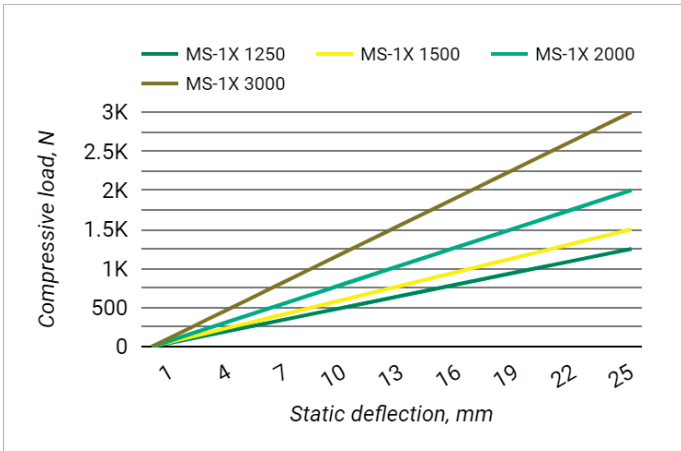
1. Product and packaging details

Part No.	Description	Dimension	Piece		Pack 1	
			(pcs)	EAN13	(pcs)	EAN13
2800401250	MS-1X Spring Mount	1250/M12	1	8719942045520	20	8719942045537
2800401500	MS-1X Spring Mount	1500/M12	1	8719942045551	20	8719942045568
2800402000	MS-1X Spring Mount	2000/M12	1	8719942045582	20	8719942045599
2800403000	MS-1X Spring Mount	3000/M12	1	8719942045612	20	8719942045629
2800404000	MS-1X Spring Mount	4000/M12	1	8719942045643	20	8719942045650
2800405000	MS-1X Spring Mount	5000/M12	1	8719942045674	20	8719942045681
2800406000	MS-1X Spring Mount	6000/M12	1	8719942045704	20	8719942045711

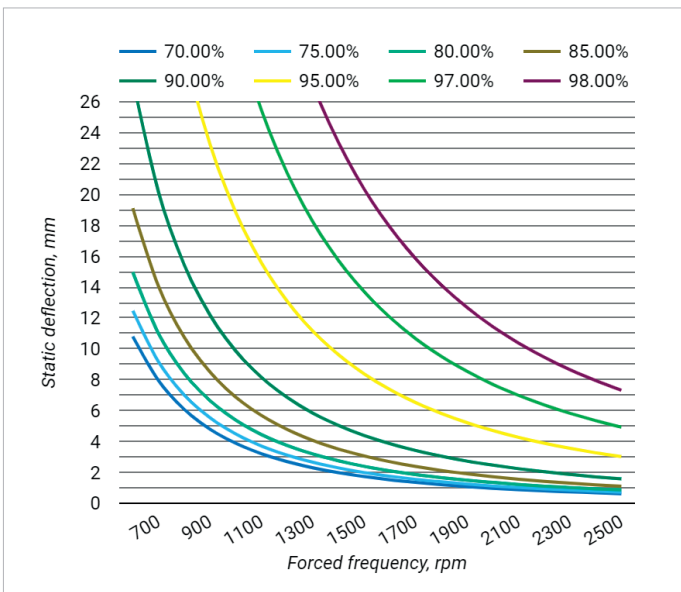
2. Performance data

Part No.	Description	Dimension	Max. deflection (mm)	Min. load (N)	Max. load (N)	Min. Optimal load (N)	Max. Optimal load (N)
2800401250	MS-1X Spring Mount	1250/M12	25mm	130	1250	250	1150
2800401500	MS-1X Spring Mount	1500/M12	25mm	150	1500	300	1380
2800402000	MS-1X Spring Mount	2000/M12	25mm	200	2000	400	1840
2800403000	MS-1X Spring Mount	3000/M12	25mm	300	3000	600	2760
2800404000	MS-1X Spring Mount	4000/M12	25mm	400	4000	800	3680
2800405000	MS-1X Spring Mount	5000/M12	25mm	500	5000	1000	4600
2800406000	MS-1X Spring Mount	6000/M12	25mm	600	6000	1200	5520

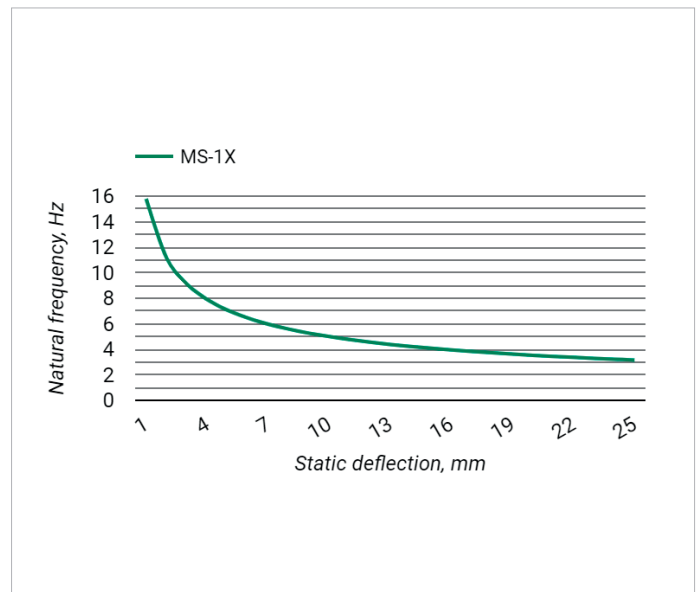
2.1 Static deflection



2.2 Isolation efficiency



2.3 Natural frequency



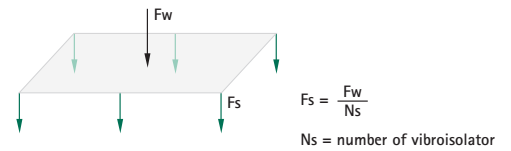
3. Dynamic properties

Description	Value
Damping factor	0.005
Average ratio $K_x / K_z = K_y / K_z$	0.7
Maximum transient overload % on maximum load	50 %
Working temperature range	-90 °C till 150 °C

4. Estimation of performance

Part No.	Applied load		Deflection (mm)	rpm Hz	Damping efficiency upon disturbing vibration (%)						
	(N)	(~kg)			500	800	1000	1200	1500	2000	2500
					8.3	13.3	16.7	20.0	25.0	33.3	41.7
2800401250	1100	112	22.0		80.5	93.2	95.7	97.1	98.2	99.0	99.3
	1250	127	25.0		83.2	94.1	96.3	97.4	98.4	99.1	99.4
2800401500	1400	143	23.3		81.8	93.6	96.0	97.3	98.3	99.0	99.4
	1500	153	25.0		83.2	94.1	96.3	97.4	98.4	99.1	99.4
2800402000	1750	178	21.9		80.4	93.1	95.7	97.1	98.1	99.0	99.3
	2000	204	25.0		83.2	94.1	96.3	97.4	98.4	99.1	99.4
2800403000	2200	224	18.3		75.6	91.7	94.9	96.5	97.8	98.8	99.2
	2600	265	21.7		80.1	93.1	95.7	97.0	98.1	99.0	99.3
	3000	306	25.0		83.2	94.1	96.3	97.4	98.4	99.1	99.4
2800404000	3500	357	21.9		80.4	93.1	95.7	97.1	98.1	99.0	99.3
	4000	408	25.0		83.2	94.1	96.3	97.4	98.4	99.1	99.4
2800405000	4300	438	21.5		80.0	93.0	95.6	97.0	98.1	98.9	99.3
	4600	469	23.0		81.5	93.5	95.9	97.2	98.2	99.0	99.4
	5000	510	25.0		83.2	94.1	96.3	97.4	98.4	99.1	99.4
2800406000	5300	540	22.1		80.6	93.2	95.8	97.1	98.2	99.0	99.3
	5600	571	23.3		81.8	93.6	96.0	97.3	98.3	99.0	99.4
	6000	612	25.0		83.2	94.1	96.3	97.4	98.4	99.1	99.4

- 1 Select vibroisolator load capacity in the table - greater or equal to Fs
- 2 Horizontally to the left you can see the product number of Walraven VibraTek®
- 3 Horizontally to the right, you can read the deflection
- 4 Locate the column with a frequency lower than 2300 rpm
- 5 Read the damping performance at: cross deflection and frequency



V (%)	Description of damping efficiency		
99	Excellent	Hospitals, hotels, facilities cultural (theaters, centers congress, auditorium)	Residential and office buildings, adjoining rooms to living spaces
93	Perfect		
88	Very good		
81	Good		
67	Sufficient		
20	Medium	Low attenuation or negative impact - contact with the Technical Sales Support Department, to get an alternative solution	
0	No change		
Resonance	Better without insulation		

Find out how we can support you

Would you like to find out more about any of the solutions described in this Technical Data Sheet?
Or would you like to discuss how we could help you find the best possible solution for your project?
Get in touch today!

United Kingdom Ireland

Walraven Ltd.
18 Wildmere Road
Banbury (GB)
Oxon, OX16 3JU
Tel. +44 1295 75 34 00
sales.uk@walraven.com

Walraven Group

Mijdrecht (NL) · Tienen (BE) · Bayreuth (DE) · Banbury (GB) · Malmö (SE) · Grenoble (FR) · Barcelona (ES) · Milan (IT)
Kraków (PL) · Mladá Boleslav (CZ) · Kyiv (UA) · Danville (US) · Shanghai (CN) · Dubai (AE) · Budapest (HU) · Mumbai (IN)
Singapore (SG) · Burlington (CA) · Athens (GR)

Technical Data Sheet Walraven VibratEK® MS-1X Spring Mount (EN) – 05/2024 – PDF – Full content subject to modifications
* The technical data are non-binding and do not reflect the warranted characteristics of the products. They are subject to change. Please consult our General Terms and Conditions. Additional information is available upon request. It is the designer's responsibility to select products suitable for the intended purpose and to ensure that performance data are not exceeded. The installation instructions should always be read and followed.