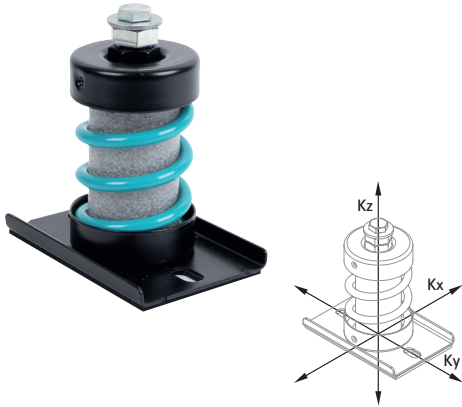
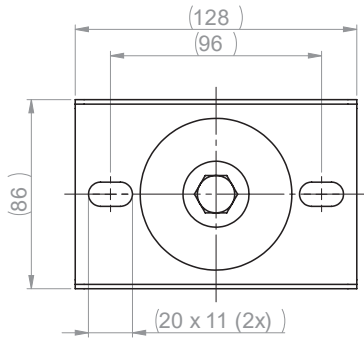


Walraven VibraTek® MS-1X Spring Mount

High performance spring isolator for medium to heavy equipment



Technical Drawing



1. Product and packaging details

Part No.	Description	Dimension	Piece		Pack 1	
			(pcs)	EAN13	(pcs)	EAN13
2801901000	MS-1X-CBL Spring Mount	1000/M16	1	8719942054690	13	8719942054706
2801901250	MS-1X-CBL Spring Mount	1250/M16	1	8719942054720	13	8719942054737
2801901500	MS-1X-CBL Spring Mount	1500/M16	1	8719942054751	13	8719942054768
2801902000	MS-1X-CBL Spring Mount	2000/M16	1	8719942054782	13	8719942054799
2801903000	MS-1X-CBL Spring Mount	3000/M16	1	8719942054812	13	8719942054829
2801904000	MS-1X-CBL Spring Mount	4000/M16	1	8719942054843	13	8719942054850
2801905000	MS-1X-CBL Spring Mount	5000/M16	1	8719942054874	13	8719942054881
2801906000	MS-1X-CBL Spring Mount	6000/M16	1	8719942054904	13	8719942054911

2. Performance data

Part No.	Description	Dimension	Max. deflection (mm)	Min. load (N)	Max. load (N)	Min. optimal load (N)	Max. optimal load (N)
2801901000	MS-1X-CBL Spring Mount	1000/M16	25	100	1000	200	920
2801901250	MS-1X-CBL Spring Mount	1250/M16	25	130	1250	250	1150
2801901500	MS-1X-CBL Spring Mount	1500/M16	25	150	1500	300	1380
2801902000	MS-1X-CBL Spring Mount	2000/M16	25	200	2000	400	1840
2801903000	MS-1X-CBL Spring Mount	3000/M16	25	300	3000	600	2760
2801904000	MS-1X-CBL Spring Mount	4000/M16	25	400	4000	800	3680
2801905000	MS-1X-CBL Spring Mount	5000/M16	25	500	5000	1000	4600
2801906000	MS-1X-CBL Spring Mount	6000/M16	25	600	6000	1200	5520

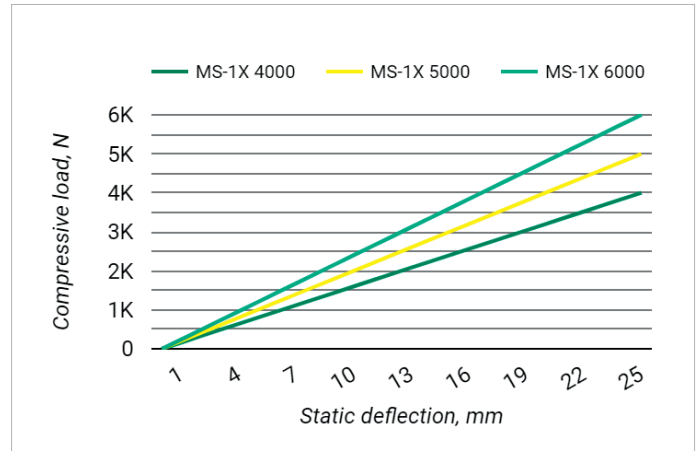
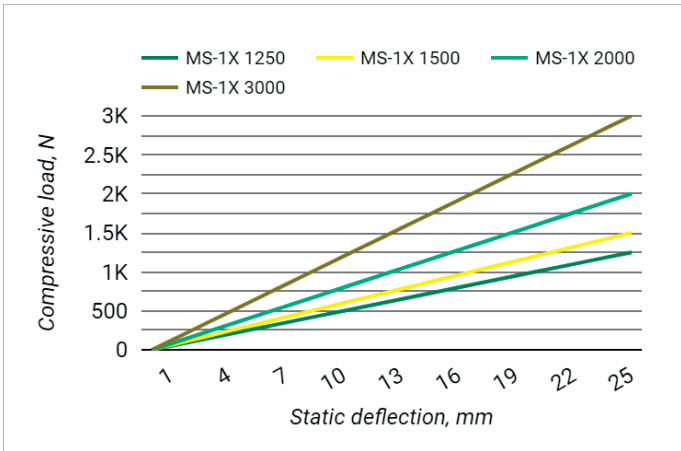
Features and Benefits

- Recommended for machinery with low working speeds above 600 rpm
- Flexible internal filler prevents debris and solid elements entering and damaging the spring under load
- Ribs in the metal base provide increased stiffness
- Slot holes facilitate positioning and anchoring to the base material
- Epoxy powder-coated base, caps and springs provide increased resistance to corrosion
- Average ratio $K_x / K_z = K_y / K_z = 0.7$
- Working temperature range -90 °C till 150 °C

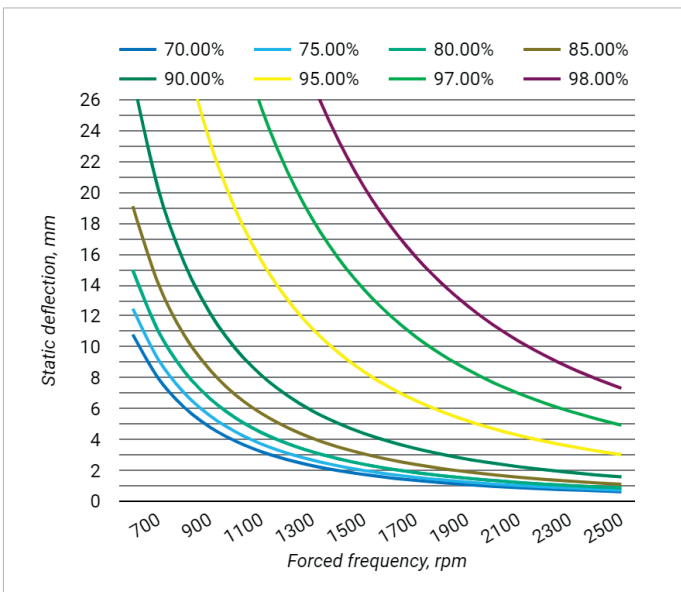
Applications

- Pumps or other equipment to be mounted on concrete inertia bases

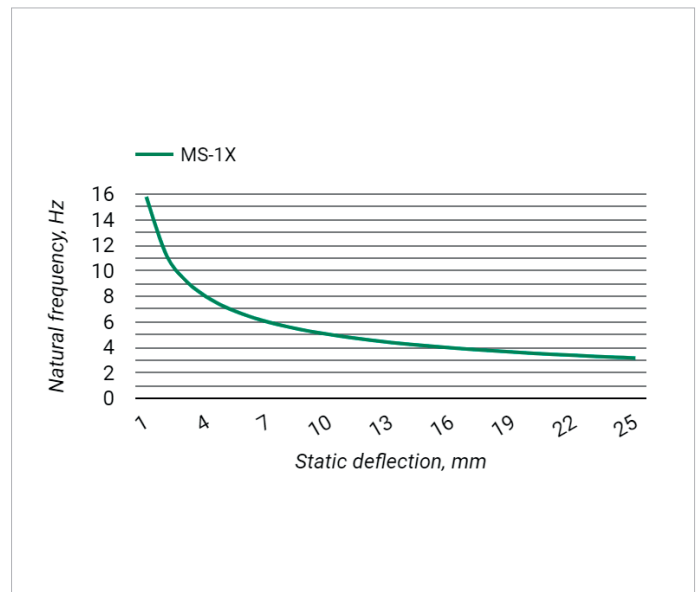
2.1 Static deflection



2.2 Isolation efficiency



2.3 Natural frequency



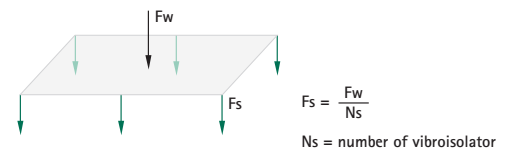
3. Dynamic properties

Description	Value
Damping factor	0.005
Average ratio $K_x / K_z = K_y / K_z$	0.7
Maximum transient overload % on maximum load	50 %
Working temperature range	-90 °C till 150 °C

4. Estimation of performance

Part No.	Applied load		Deflection (mm)	rpm Hz	Damping efficiency upon disturbing vibration (%)						
	(N)	(~kg)			500	800	1000	1200	1500	2000	2500
					8.3	13.3	16.7	20.0	25.0	33.3	41.7
2801901000	800	82	20.0		78.1	92.5	95.3	96.8	98.0	98.9	99.3
	1000	102	25.0		83.2	94.1	96.3	97.4	98.4	99.1	99.4
2801901250	1100	112	22.0		80.5	93.2	95.7	97.1	98.2	99.0	99.3
	1250	127	25.0		83.2	94.1	96.3	97.4	98.4	99.1	99.4
2801901500	1400	143	23.3		81.8	93.6	96.0	97.3	98.3	99.0	99.4
	1500	153	25.0		83.2	94.1	96.3	97.4	98.4	99.1	99.4
2801902000	1750	178	21.9		80.4	93.1	95.7	97.1	98.1	99.0	99.3
	2000	204	25.0		83.2	94.1	96.3	97.4	98.4	99.1	99.4
	2200	224	18.3		75.6	91.7	94.9	96.5	97.8	98.8	99.2
2801903000	2600	265	21.7		80.1	93.1	95.7	97.0	98.1	99.0	99.3
	3000	306	25.0		83.2	94.1	96.3	97.4	98.4	99.1	99.4
2801904000	3500	357	21.9		80.4	93.1	95.7	97.1	98.1	99.0	99.3
	4000	408	25.0		83.2	94.1	96.3	97.4	98.4	99.1	99.4
2801905000	4300	438	21.5		80.0	93.0	95.6	97.0	98.1	98.9	99.3
	4600	469	23.0		81.5	93.5	95.9	97.2	98.2	99.0	99.4
	5000	510	25.0		83.2	94.1	96.3	97.4	98.4	99.1	99.4
2801906000	5300	540	22.1		80.6	93.2	95.8	97.1	98.2	99.0	99.3
	5600	571	23.3		81.8	93.6	96.0	97.3	98.3	99.0	99.4
	6000	612	25.0		83.2	94.1	96.3	97.4	98.4	99.1	99.4

- 1 Select vibroisolator load capacity in the table - greater or equal to Fs
- 2 Horizontally to the left you can see the product number of Walraven VibraTek®
- 3 Horizontally to the right, you can read the deflection
- 4 Locate the column with a frequency lower than 2300 rpm
- 5 Read the damping performance at: cross deflection and frequency



V (%)	Description of damping efficiency		
99	Excellent	Hospitals, hotels, facilities cultural (theaters, centers congress, auditorium)	Residential and office buildings, adjoining rooms to living spaces
93	Perfect		
88	Very good		Normal requirements: cellars, facilities industrial, shopping centers
81	Good		
67	Sufficient		
20	Medium	Low attenuation or negative impact - contact with the Technical Sales Support Department, to get an alternative solution	
0	No change		
Resonance	Better without insulation		

Find out how we can support you

Would you like to find out more about any of the solutions described in this Technical Data Sheet?
Or would you like to discuss how we could help you find the best possible solution for your project?
Get in touch today!

United Kingdom Ireland

Walraven Ltd.
18 Wildmere Road
Banbury (GB)
Oxon, OX16 3JU
Tel. +44 1295 75 34 00
sales.uk@walraven.com

Walraven Group

Mijdrecht (NL) · Tienen (BE) · Bayreuth (DE) · Banbury (GB) · Malmö (SE) · Grenoble (FR) · Barcelona (ES) · Milan (IT)
Kraków (PL) · Mladá Boleslav (CZ) · Kyiv (UA) · Danville (US) · Shanghai (CN) · Dubai (AE) · Budapest (HU) · Mumbai (IN)
Singapore (SG) · Burlington (CA) · Athens (GR)

Technical Data Sheet Walraven VibratEK® MS-X-CBL Spring Mount (EN) – 05/2024 – PDF – Full content subject to modifications
* The technical data are non-binding and do not reflect the warranty characteristics of the products. They are subject to change. Please consult our General Terms and Conditions. Additional information is available upon request. It is the designer's responsibility to select products suitable for the intended purpose and to ensure that performance data are not exceeded. The installation instructions should always be read and followed.