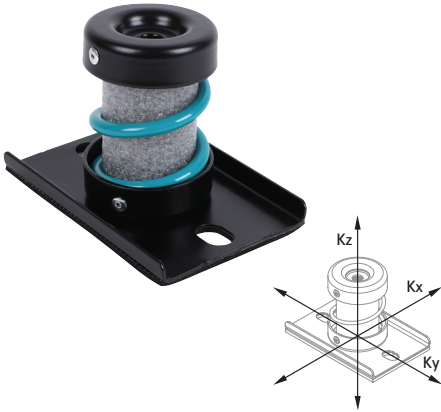


Walraven VibraTek® MS-1 Spring Mount

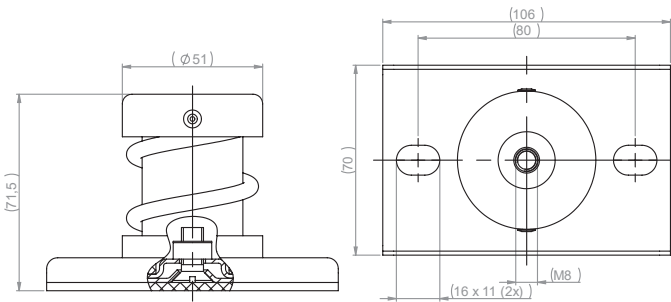
High performance spring isolator for light equipment



Features and Benefits

- Recommended for equipment with low working speeds, from 700 rpm and above
- Ribs in the metal base provide increased stiffness
- Slot holes facilitate positioning and anchoring to the base material
- Epoxy powder-coated base, caps and springs provide increased resistance to corrosion
- Average ratio $K_x / K_z = K_y / K_z = 1.0$
- Working temperature range -90 °C till 150 °C

Technical Drawing



Applications

- Compressors, fans, pumps, other building service machinery

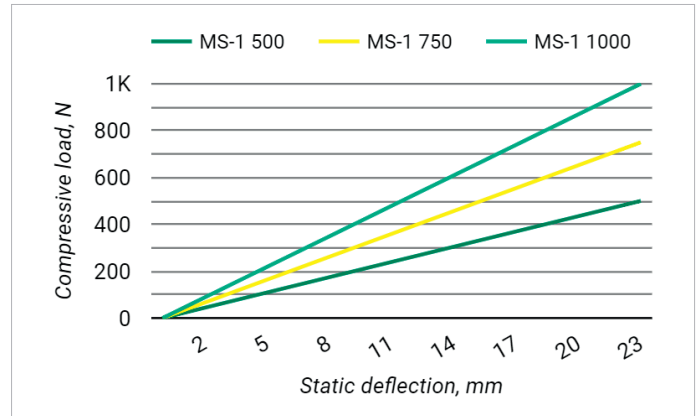
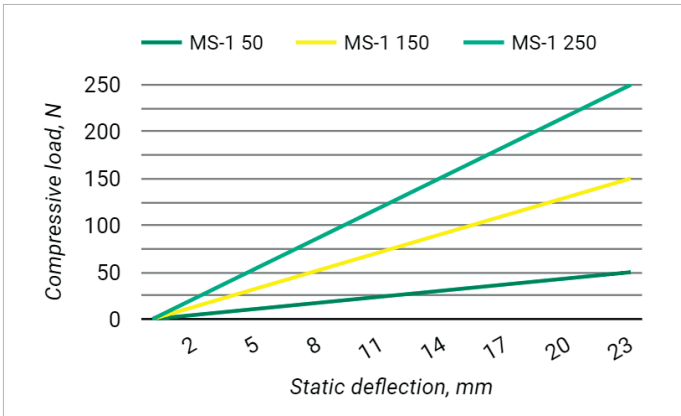
1. Product and packaging details

Part No.	Description	Dimension	Piece		Pack 1	
			(pcs)	EAN13	(pcs)	EAN13
2800300050	MS-1 Spring Mount 23mm	50/M8	1	8719942045339	30	8719942045346
2800300150	MS-1 Spring Mount 23mm	150/M8	1	8719942045360	30	8719942045377
2800300250	MS-1 Spring Mount 23mm	250/M8	1	8719942045407	30	8719942045414
2800300500	MS-1 Spring Mount 23mm	500/M8	1	8719942045438	30	8719942045445
2800300750	MS-1 Spring Mount 23mm	750/M8	1	8719942045469	30	8719942045476
2800301000	MS-1 Spring Mount 23mm	1000/M8	1	8719942045490	30	8719942045506

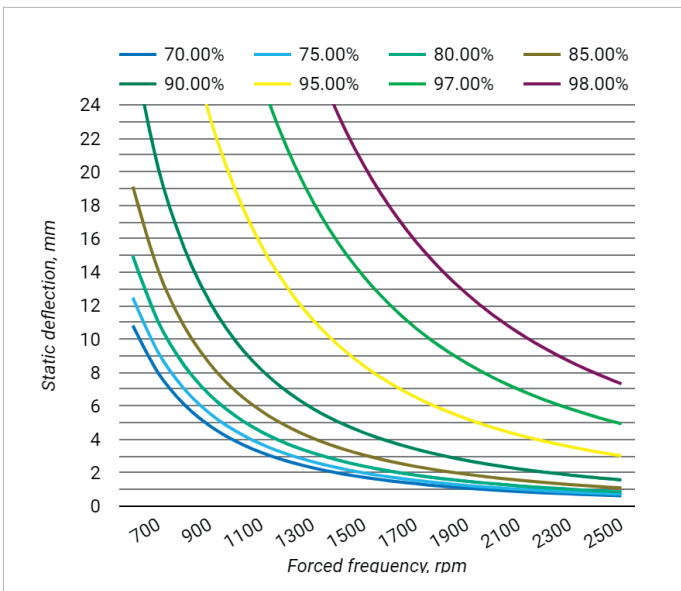
2. Performance data

Part No.	Description	Dimension	Max. deflection (mm)	Min. load (N)	Max. load (N)	Optimal load (N)
2800300050	MS-1 Spring Mount	50/M8	23	5	50	10-45
2800300150	MS-1 Spring Mount	150/M8	23	20	150	30-140
2800300250	MS-1 Spring Mount	250/M8	23	30	250	50-230
2800300500	MS-1 Spring Mount	500/M8	23	50	500	100-460
2800300750	MS-1 Spring Mount	750/M8	23	80	750	150-690
2800301000	MS-1 Spring Mount	1000/M8	23	100	1000	200-920

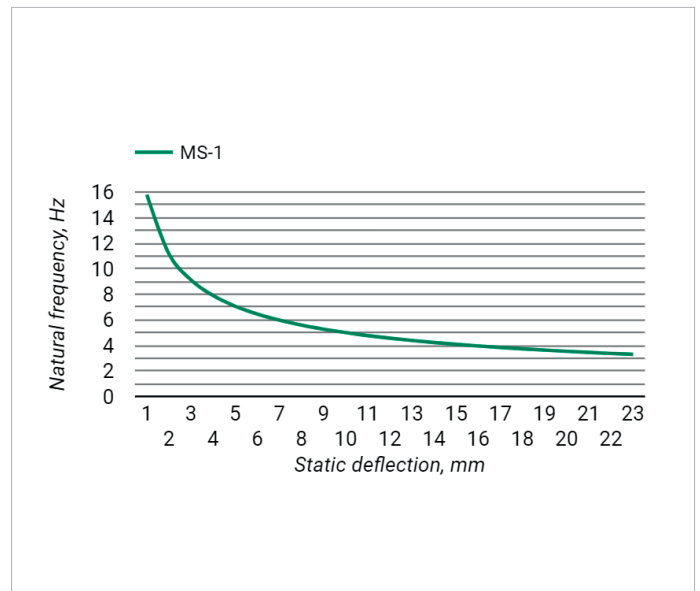
2.1 Static deflection



2.2 Isolation efficiency



2.3 Natural frequency



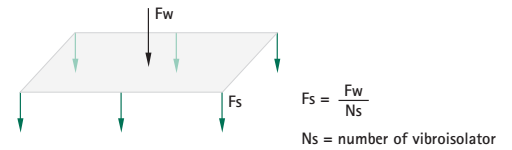
3. Dynamic properties

Description	Value
Damping factor	0.005
Average ratio $K_x / K_z = K_y / K_z$	1.0
Maximum transient overload % on maximum load	50 %
Working temperature range	-90 °C till 150 °C

4. Estimation of performance

Part No.	Applied load		Elasticity module (N/mm)	Deflection (mm)	rpm Hz	Damping efficiency upon disturbing vibration (%)						
	(N)	(~kg)				500	800	1000	1200	1500	2000	2500
						8.3	13.3	16.7	20.0	25.0	33.3	41.7
2800300050	25	3		11.5		54.6	86.1	91.5	94.3	96.4	98.0	98.7
	50	5	2.17	23.0		81.5	93.5	95.9	97.2	98.2	99.0	99.4
2800300150	100	10		15.3		69.4	89.9	93.8	95.8	97.3	98.5	99.1
	150	15	6.52	23.0		81.5	93.5	95.9	97.2	98.2	99.0	99.4
2800300250	200	20		18.4		75.8	91.7	94.9	96.5	97.8	98.8	99.2
	250	25	10.87	23.0		81.5	93.5	95.9	97.2	98.2	99.0	99.4
2800300500	300	31		13.8		64.8	88.7	93.0	95.3	97.0	98.3	98.9
	400	41		18.4		75.8	91.7	94.9	96.5	97.8	98.8	99.2
	500	51	21.74	23.0		81.5	93.5	95.9	97.2	98.2	99.0	99.4
2800300750	600	61		18.4		75.8	91.7	94.9	96.5	97.8	98.8	99.2
	750	76	32.61	23.0		81.5	93.5	95.9	97.2	98.2	99.0	99.4
2800301000	800	82		18.4		75.8	91.7	94.9	96.5	97.8	98.8	99.2
	900	92		20.7		79.0	92.7	95.5	96.9	98.0	98.9	99.3
	1000	102	43.48	23.0		81.5	93.5	95.9	97.2	98.2	99.0	99.4

- 1 Select vibroisolator load capacity in the table - greater or equal to Fs
- 2 Horizontally to the left you can see the product number of Walraven VibraTek®
- 3 Horizontally to the right, you can read the deflection
- 4 Locate the column with a frequency lower than 2300 rpm
- 5 Read the damping performance at: cross deflection and frequency



V (%)	Description of damping efficiency		
99	Excellent	Hospitals, hotels, facilities cultural (theaters, centers congress, auditorium)	Residential and office buildings, adjoining rooms to living spaces
93	Perfect		
88	Very good	Normal requirements: cellars, facilities industrial, shopping centers	
81	Good		
67	Sufficient		
20	Medium	Low attenuation or negative impact - contact with the Technical Sales Support Department, to get an alternative solution	
0	No change		
Resonance	Better without insulation		

Find out how we can support you

Would you like to find out more about any of the solutions described in this Technical Data Sheet?
Or would you like to discuss how we could help you find the best possible solution for your project?
Get in touch today!

Walraven International

Industrieweg 5
3641 RK Mijdrecht (NL)
Tel. +31 297 23 30 00
Fax +31 297 23 30 99
export@walraven.com

Walraven Group

Mijdrecht (NL) · Tienen (BE) · Bayreuth (DE) · Banbury (GB) · Malmö (SE) · Grenoble (FR) · Barcelona (ES) · Milan (IT)
Kraków (PL) · Mladá Boleslav (CZ) · Kyiv (UA) · Danville (US) · Shanghai (CN) · Dubai (AE) · Budapest (HU) · Mumbai (IN)
Singapore (SG) · Burlington (CA) · Athens (GR)

Technical Data Sheet Walraven Vibratek® MS-1 Spring Mount (INT) – 03/2024 – PDF – Full content subject to modifications
* The technical data are non-binding and do not reflect the warranted characteristics of the products. They are subject to change. Please consult our General Terms and Conditions. Additional information is available upon request. It is the designer's responsibility to select products suitable for the intended purpose and to ensure that performance data are not exceeded. The installation instructions should always be read and followed.