

# Walraven VibraTek® MR-L Rubber Levelling Mount

## Rubber mount with M16 connection for equipment isolation and levelling

### Walraven VibraTek® MR-L 8000/M16

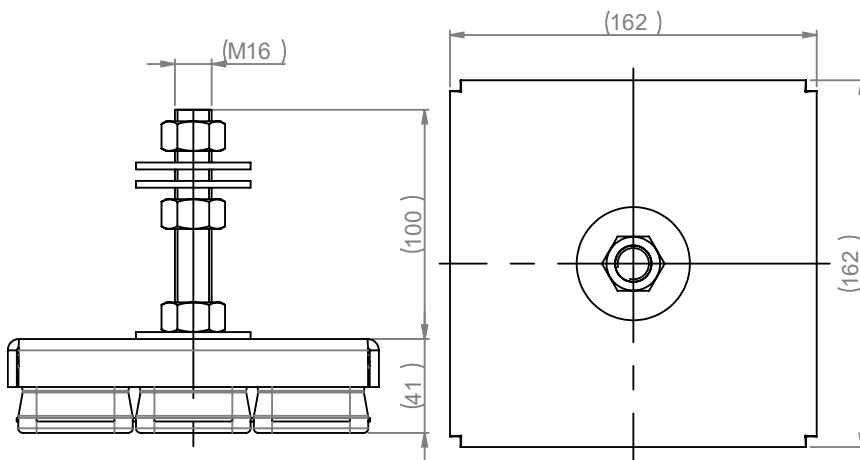
### Features and benefits



- Rubber isolator with DIN 934 nuts and DIN 9012 washers included in delivery for mounting and levelling equipment
- Simple to install and does not need to be fixed to the supporting structure
- Recommended for machinery with working speeds above 2500 RPM, providing a degree of vibration insulation from 75% to 80%
- Metal and rubber parts can be separated for recycling

### Technical Drawing

### Applications



- Outdoor air conditioning units, axial and radial fans, vertical air conditioning equipment, motors and pumps, pipe sections, compressors, electrical panels

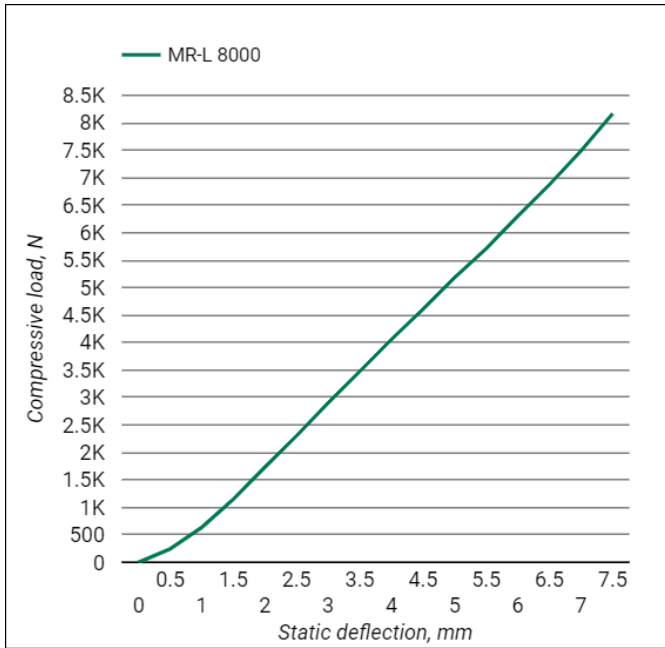
### 1. Product and packaging details

Article	Description	Dimension	Piece		Pack 1	
			[pcs]	EAN13	[pcs]	EAN13
2800108000	MR-L Rubber Levelling Mount	8000/M16	1	8719942045155	6	8719942045162

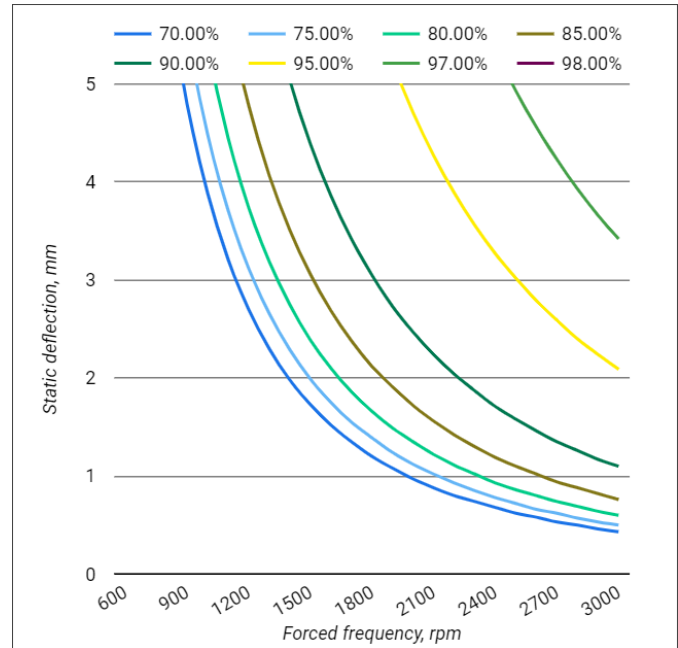
## 2. Performance data

Article	Description	Dimension	Max. Deflection	Min. load	Max. load	Min. optimal load	Max. optimal load
			[mm]	[N]	[N]	[N]	[N]
2800108000	MR-L Rubber Levelling Mount	8000/M16	7.5mm	500	8000	1000	7500

### 2.1 Static deflection



### 2.2 Isolation efficiency



## 3. Dynamic properties

Description	Value
Damping factor	0.03
Maximum transient overload % on maximum load	100 %
Working temperature	-20° C to +90 °C