

Walraven VibraTek® MR-L Rubber Levelling Mount

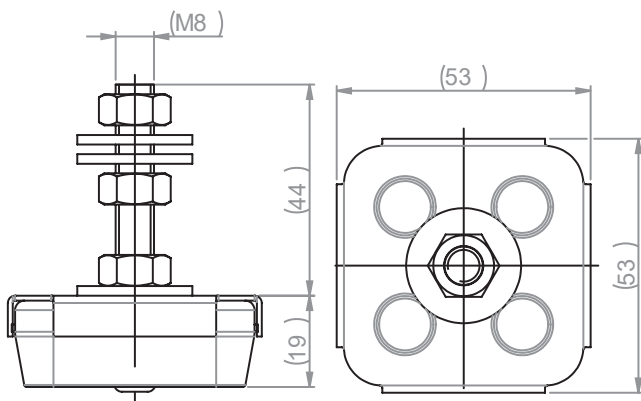
Rubber mount with M8 connection for equipment isolation and levelling



Features and Benefits

- Rubber isolator with DIN 934 nuts and DIN 9012 washers included in delivery for mounting and levelling equipment
- Simple to install and does not need to be fixed to the supporting structure
- Recommended for machinery with working speeds above 2500 rpm, providing a degree of vibration insulation from 75% to 80%
- Metal and rubber parts can be separated for recycling
- Working temperature range -20 °C till 90 °C
- Hardness 45 Shore A

Technical Drawing



Applications

- Outdoor air conditioning units, axial and radial fans, vertical air conditioning equipment, motors and pumps, pipe sections, compressors, electrical panels

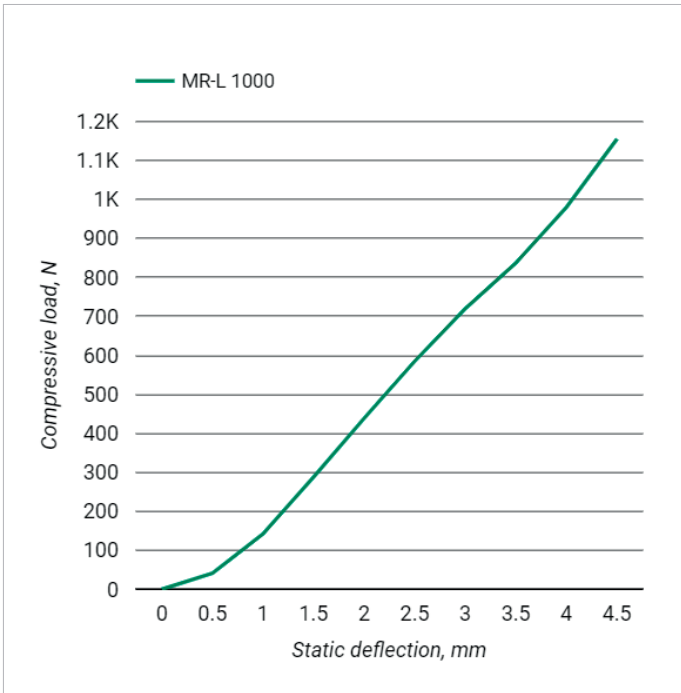
1. Product and packaging details

Part No.	Description	Dimension	Piece		Pack 1	
			(pcs)	EAN13	(pcs)	EAN13
2800101000	MR-L Rubber Levelling Mount	1000/M8	1	8719942045070	100	8719942045063

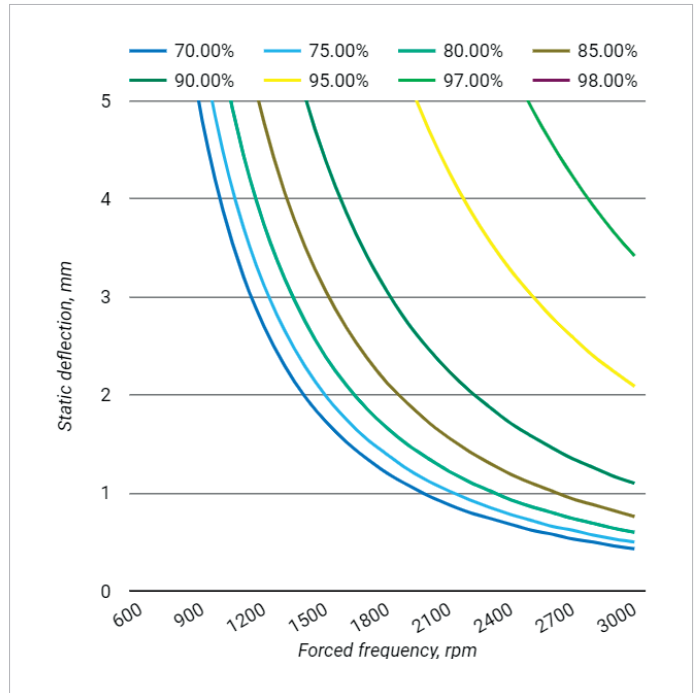
2. Performance data

Part No.	Description	Dimension	Max. deflection (mm)	Min. load (N)	Max. load (N)	Min. optimal load (N)	Max. optimal load (N)
2800101000	MR-L Rubber Levelling Mount	1000/M8	4	50	1000	100	800

2.1 Static deflection



2.2 Isolation efficiency



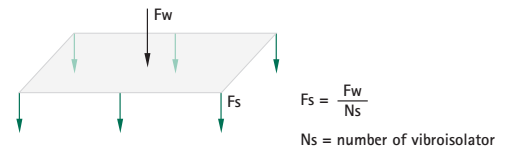
3. Dynamic properties

Description	Value
Damping factor	0.03
Maximum transient overload % on maximum load	100 %
Working temperature range	-20 °C till 90 °C
Hardness	45 Shore A

4. Estimation of performance

Part No.	Applied load		Deflection (mm)	rpm Hz	Damping efficiency upon disturbing vibration (%)						
	(N)	(~kg)			500	800	1000	1200	1500	2000	2500
					8.3	13.3	16.7	20.0	25.0	33.3	41.7
2800101000	500	51	2.0				19	55	75	87	92
	600	61	2.4			40	65	80	90	94	
	800	82	3.2		22	61	76	86	92	95	
	1000	102	4.0		46	71	82	89	94	96	

- 1 Select vibroisolator load capacity in the table - greater or equal to F_s
- 2 Horizontally to the left you can see the product number of Walraven VibraTek®
- 3 Horizontally to the right, you can read the deflection
- 4 Locate the column with a frequency lower than 2300 rpm
- 5 Read the damping performance at: cross deflection and frequency



V (%)	Description of damping efficiency		
99	Excellent	Hospitals, hotels, facilities cultural (theaters, centers congress, auditorium)	Residential and office buildings, adjoining rooms to living spaces
93	Perfect		
88	Very good		
81	Good		
67	Sufficient	Normal requirements: cellars, facilities industrial, shopping centers	
20	Medium		
0	No change	Low attenuation or negative impact - contact with the Technical Sales Support Department, to get an alternative solution	
Resonance	Better without insulation		

Find out how we can support you

Would you like to find out more about any of the solutions described in this Technical Data Sheet?
Or would you like to discuss how we could help you find the best possible solution for your project?
Get in touch today!

United Kingdom Ireland

Walraven Ltd.
18 Wildmere Road
Banbury (GB)
Oxon, OX16 3JU
Tel. +44 1295 75 34 00
sales.uk@walraven.com

Walraven Group

Mijdrecht (NL) · Tienen (BE) · Bayreuth (DE) · Banbury (GB) · Malmö (SE) · Grenoble (FR) · Barcelona (ES) · Milan (IT)
Kraków (PL) · Mladá Boleslav (CZ) · Kyiv (UA) · Danville (US) · Shanghai (CN) · Dubai (AE) · Budapest (HU) · Mumbai (IN)
Singapore (SG) · Burlington (CA) · Athens (GR)

Technical Data Sheet Walraven VibratEK® MR-L 1000/MB Levelling Mount (EN) – 05/2024 – PDF – Full content subject to modifications
* The technical data are non-binding and do not reflect the warranted characteristics of the products. They are subject to change. Please consult
our General Terms and Conditions. Additional information is available upon request. It is the designer's responsibility to select products suitable
for the intended purpose and to ensure that performance data are not exceeded. The installation instructions should always be read and followed.