

Walraven VibraTek® MR-B 750/M8 Rubber Mount

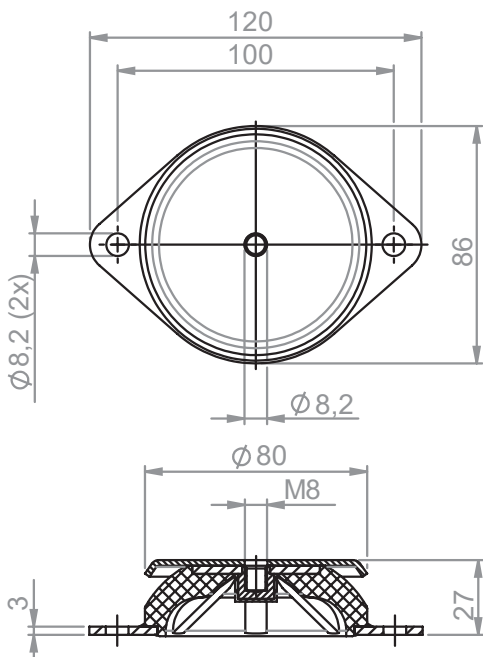
Bell-shaped rubber isolator for equipment and machinery



Features and Benefits

- Ideally suited for machinery with radial vibration (as opposed to axial) and prone to sudden or pronounced starts and stops
- Recommended for machinery with working speeds above 2500 rpm, providing a degree of vibration insulation from 75% to 80%
- Metal and rubber parts can be separated for recycling
- Working temperature range -20 °C till 90 °C

Technical Drawing



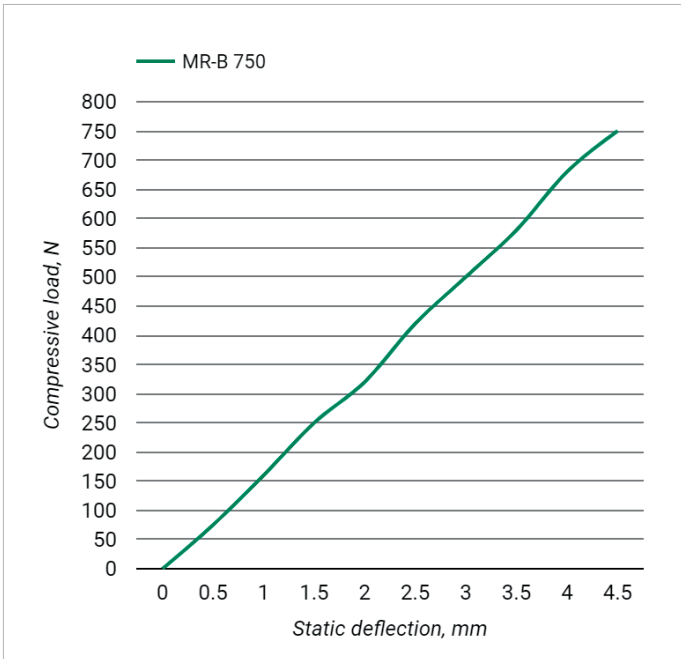
1. Product and packaging details

Part No.	Description	Dimension	Piece		Pack 1	
			(pcs)	EAN13	(pcs)	EAN13
2801800750	MR-B Rubber Mount	750/M8	1	8719942047531	50	8719942047548

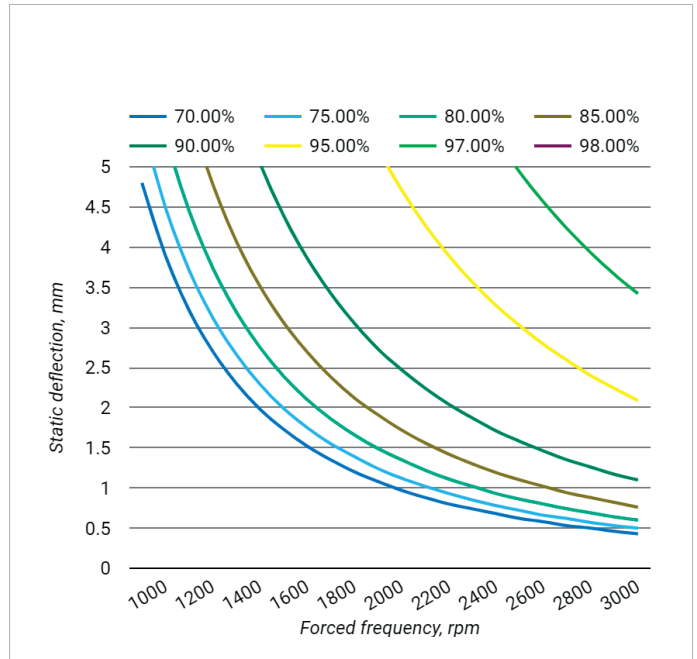
2. Performance data

Part No.	Description	Dimension	Max. deflection (mm)	Min. load (N)	Max. load (N)	Min. optimal load (N)	Max. optimal load (N)
2801800750	MR-B Rubber Mount	750/M8	4.0	50	750	130	700

2.1 Static deflection



2.2 Isolation efficiency



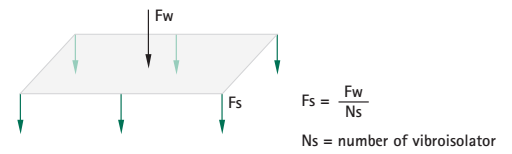
3. Dynamic properties

Description	Value
Working temperature range	-20 °C till 90 °C

4. Estimation of performance

Part No.	Applied load		Deflection (mm)	rpm	Damping efficiency upon disturbing vibration (%)						
	(N)	(~kg)			Hz	500	800	1000	1200	1500	2000
2801800750	450	46	2.4	8.3			40.3	64.9	80.1	89.7	93.6
	750	76	4.0	13.3		46.0	71.1	81.5	88.9	94.1	96.3

- 1 Select vibroisolator load capacity in the table - greater or equal to Fs
- 2 Horizontally to the left you can see the product number of Walraven VibraTek®
- 3 Horizontally to the right, you can read the deflection
- 4 Locate the column with a frequency lower than 2300 rpm
- 5 Read the damping performance at: cross deflection and frequency



V (%)	Description of damping efficiency		
99	Excellent	Hospitals, hotels, facilities cultural (theaters, centers congress, auditorium)	Residential and office buildings, adjoining rooms to living spaces
93	Perfect		
88	Very good		Normal requirements: cellars, facilities industrial, shopping centers
81	Good		
67	Sufficient		
20	Medium	Low attenuation or negative impact - contact with the Technical Sales Support Department, to get an alternative solution	
0	No change		
Resonance	Better without insulation		

Find out how we can support you

Would you like to find out more about any of the solutions described in this Technical Data Sheet?
Or would you like to discuss how we could help you find the best possible solution for your project?
Get in touch today!

Walraven International

Industrieweg 5
3641 RK Mijdrecht (NL)
Tel. +31 297 23 30 00
Fax +31 297 23 30 99
export@walraven.com

Walraven Group

Mijdrecht (NL) · Tienen (BE) · Bayreuth (DE) · Banbury (GB) · Malmö (SE) · Grenoble (FR) · Barcelona (ES) · Milan (IT)
Kraków (PL) · Mladá Boleslav (CZ) · Kyiv (UA) · Danville (US) · Shanghai (CN) · Dubai (AE) · Budapest (HU) · Mumbai (IN)
Singapore (SG) · Burlington (CA) · Athens (GR)

Technical Data Sheet Walraven VibraTek® MR-B 750/M8 Rubber Mount (INT) – 03/2024 – PDF – Full content subject to modifications
* The technical data are non-binding and do not reflect the warranty characteristics of the products. They are subject to change. Please consult our General Terms and Conditions. Additional information is available upon request. It is the designer's responsibility to select products suitable for the intended purpose and to ensure that performance data are not exceeded. The installation instructions should always be read and followed.