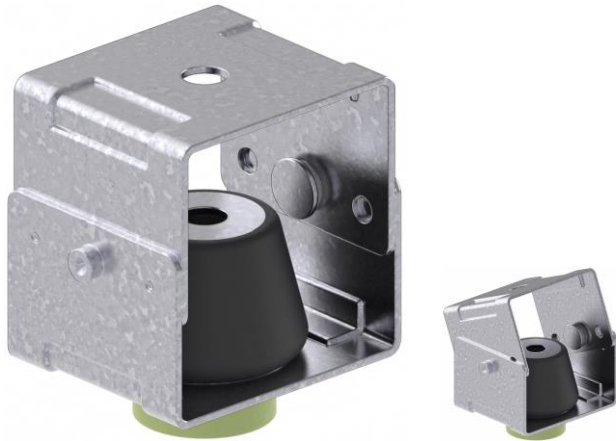


Walraven VibraTek® HR-1 Rubber Hanger

Rubber hanger for isolation of suspended ventilation and AC systems

Walraven VibraTek® HR-1

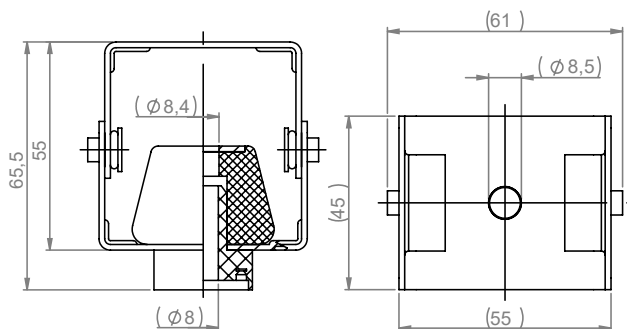
Features and benefits



- Small footprint allows placement in compact spaces
- Simple to install and adaptable to a sloping roof or ceiling, part of the metal housing swivels
- Steel: zinc plated

Technical Drawing

Applications



- Ventilation boxes, acoustic ceilings, suspended pipes, suspended ducts

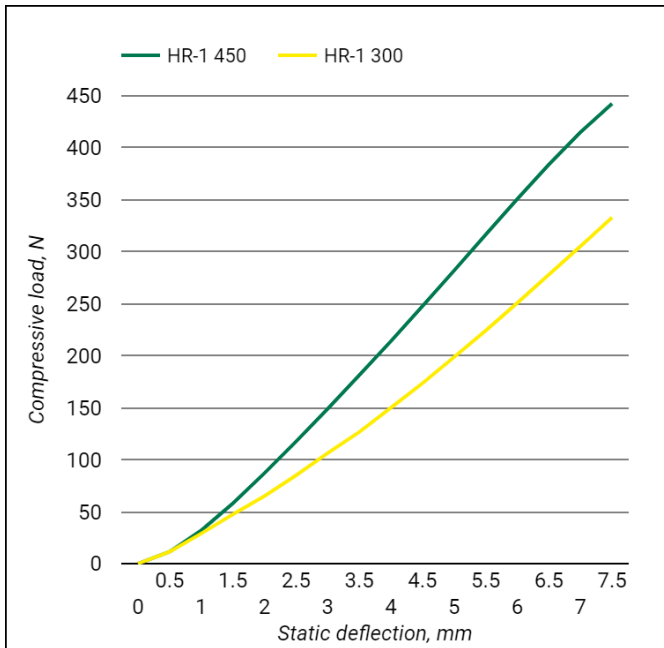
1. Product and packaging details

Article	Description	Dimension	Piece		Pack 1	
			[pcs]	EAN13	[pcs]	EAN13
2800800300	HR-1 Rubber Hanger	300	1	8719942046336	100	8719942046343
2800800450	HR-1 Rubber Hanger	450	1	8719942046367	100	8719942046374

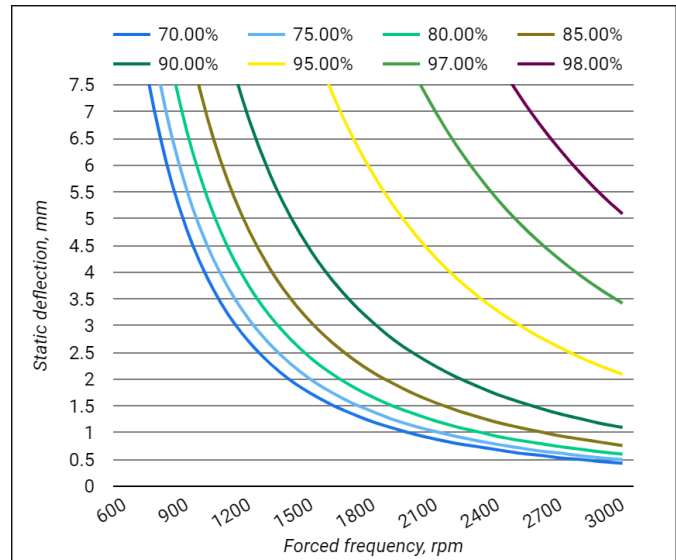
2. Performance data

Article	Description	Dimension	Max. Deflection	Min. load	Max. load	Min. optimal load	Max. optimal load
			[mm]	[N]	[N]	[N]	[N]
2800800300	HR-1 Rubber Hanger	300	7.0mm	5	300	5	250
2800800450	HR-1 Rubber Hanger	450	7.0mm	10	450	10	400

2.1 Static deflection



2.2 Isolation efficiency



3. Dynamic properties

Description	Value
Shore A Hardness HR-1 300 / HR-1 450	45° / 50°
Maximum transient overload % on maximum load	100 %
Working temperature	-20° C to +90 °C