

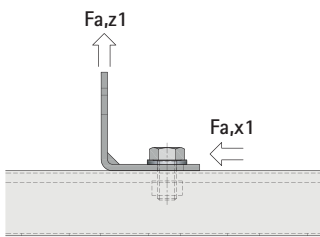
# Walraven RapidStrut® Connectors

## Technical Data Sheet

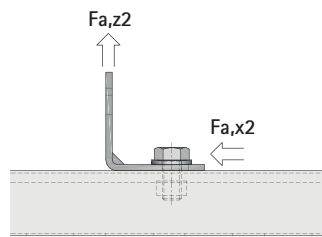
All mentioned values are tested with rails 41 x 41 x 1.5 mm (according RAL-GZ 655 guideline).

All connectors were fixed with Walraven Slide Nuts M12 (Part No. 65188012) and Walraven Bolts DIN933, tightened with 30 Nm.

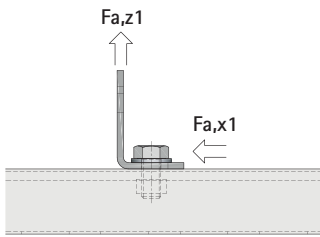
### Walraven RapidStrut® Connector 90° (BUP1000)



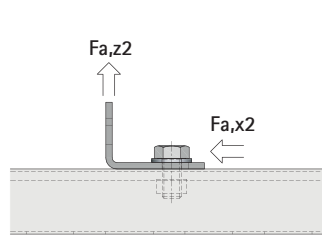
#66588201



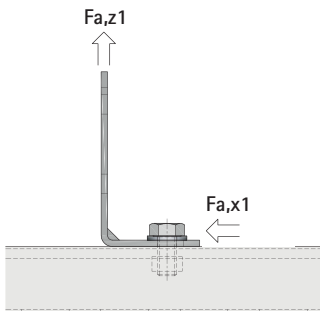
W x H (mm)	Holes	Fa,z1 (N)	Fa,x1 (N)	Fa,z2 (N)	Fa,x2 (N)
62 x 62	1 / 1	2,000	1,000	2,000	1,000



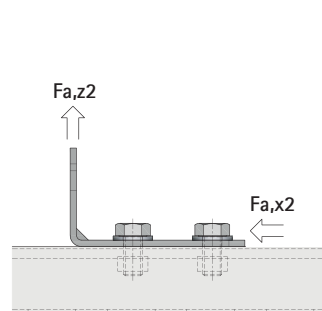
#66588207



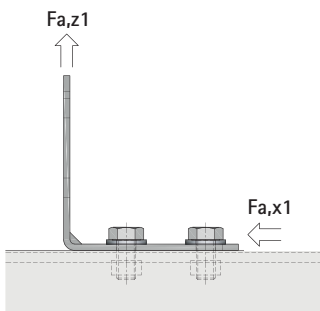
W x H (mm)	Holes	Fa,z1 (N)	Fa,x1 (N)	Fa,z2 (N)	Fa,x2 (N)
62 x 42	1 / 1	2,300	1,200	2,300	1,000



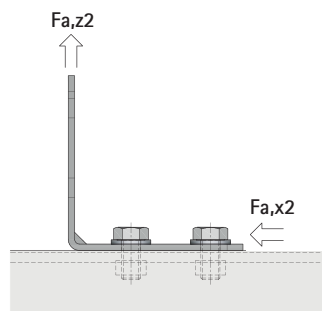
#66588221



W x H (mm)	Holes	Fa,z1 (N)	Fa,x1 (N)	Fa,z2 (N)	Fa,x2 (N)
110 x 62	2 / 1	2,000	1,000	2,500	2,200

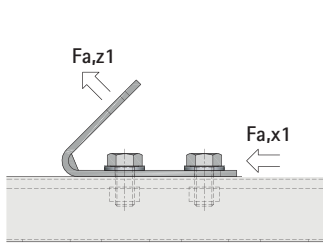


#66588228

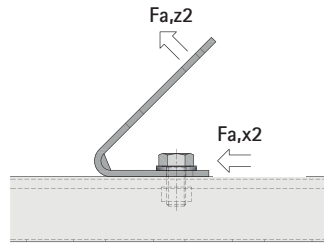


W x H (mm)	Holes	Fa,z1 (N)	Fa,x1 (N)	Fa,z2 (N)	Fa,x2 (N)
110 x 110	2 / 2	2,500	2,200	2,500	2,200

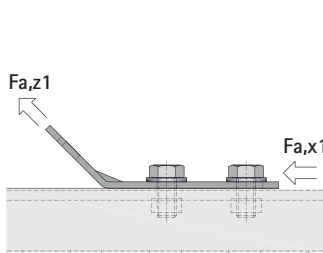
## Walraven RapidStrut® Connector 135° / 45° (BUP1000)



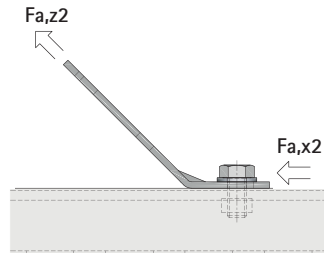
#66588270



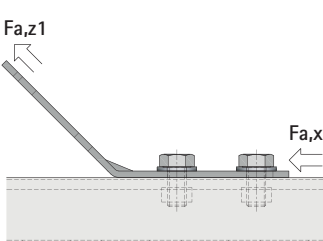
W x H (mm)	Holes	Fa,z1 (N)	Fa,x1 (N)	Fa,z2 (N)	Fa,x2 (N)
110 x 61	2 / 1	2,700	2,400	1,700	1,200



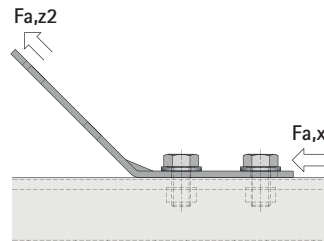
#66588242



W x H (mm)	Holes	Fa,z1 (N)	Fa,x1 (N)	Fa,z2 (N)	Fa,x2 (N)
147 x 39	2 / 1	3,300	2,200	1,150	900

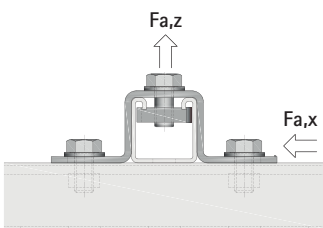


#66588256

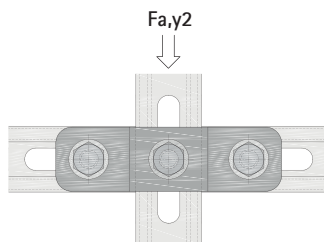
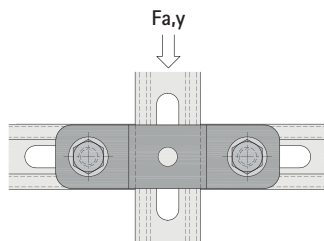


W x H (mm)	Holes	Fa,z1 (N)	Fa,x1 (N)	Fa,z2 (N)	Fa,x2 (N)
180 x 80	2 / 2	2,600	2,200	2,100	1,800

## Walraven RapidStrut® Cross-Connector (BUP1000)

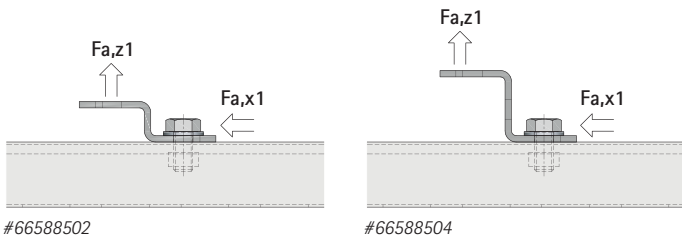


#66588292, #66588294  
#66588295, #66588296  
#66588298, #66588299



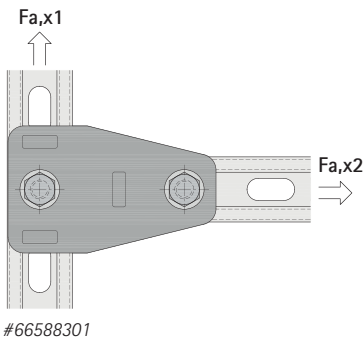
For rail	Part No.	Fa,z (N)	Fa,x (N)	Fa,y (N)	Fa,y2 (N)
41 x 21	66588292	3,600	2,400	310	2,200
41 x 41	66588294	3,600	2,400	870	2,500
41 x 51	66588295	3,600	2,400	750	
41 x 62	66588296	3,600	2,400	750	
41 x 82	66588298	3,600	2,400	700	
41 x 124	66588299	3,600	2,400	700	

## Walraven RapidStrut® Z-Connector (BUP1000)



For rail	Part No.	Fa,z1 (N)	Fa,x1 (N)
41 x 21	66588502	1,800	900
41 x 41	66588504	1,800	900

## Walraven RapidStrut® T-Connector (BUP1000)



Fa,x1 (N)	Fa,x2 (N)
1,550	1,600

## Find out how we can support you

Would you like to find out more about any of the solutions described in this Technical Data Sheet?  
Or would you like to discuss how we could help you find the best possible solution for your project?  
Get in touch today!

### Walraven International

---

Industrieweg 5  
3641 RK Mijdrecht (NL)  
Tel. +31 297 23 30 00  
Fax +31 297 23 30 99  
[export@walraven.com](mailto:export@walraven.com)

### Walraven Group

---

Mijdrecht (NL) · Tienen (BE) · Bayreuth (DE) · Banbury (GB) · Malmö (SE) · Grenoble (FR) · Barcelona (ES) · Milan (IT)  
Kraków (PL) · Mladá Boleslav (CZ) · Kyiv (UA) · Danville (US) · Shanghai (CN) · Dubai (AE) · Budapest (HU) · Mumbai (IN)  
Singapore (SG) · Burlington (CA) · Athens (GR)

Technical Data Sheet Walraven RapidStrut® Connectors (EN-INT) – TR180201, TR181106 – 04/2024 – PDF – Subject to modifications  
\* The technical data are non-binding and do not reflect the warranted characteristics of the products. They are subject to change. Please consult our General Terms and Conditions. Additional information is available upon request. It is the designer's responsibility to select products suitable for the intended purpose and to ensure that performance data are not exceeded. The installation instructions should always be read and followed.