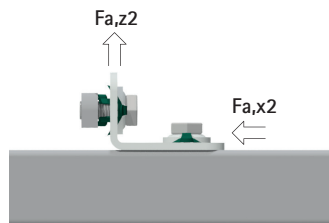
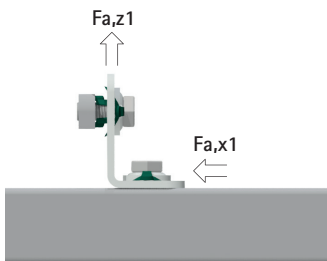


Walraven RapidStrut® Connectors pre-assembled Type G2

Technical Data Sheet

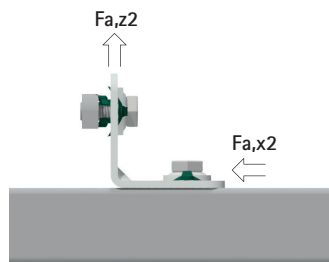
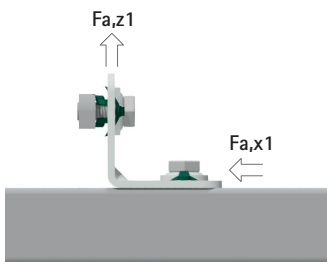
All tests with rails type L (1.5 mm thickness) are made according RAL-GZ 655 guideline.
Torque moments T (Nm) and other details are mentioned in the data table.

Walraven RapidStrut® Rail Connector 90° G2 (BUP1000)



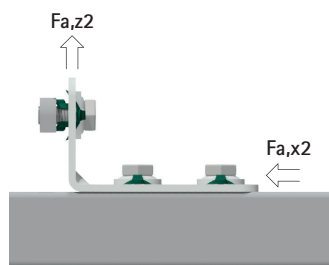
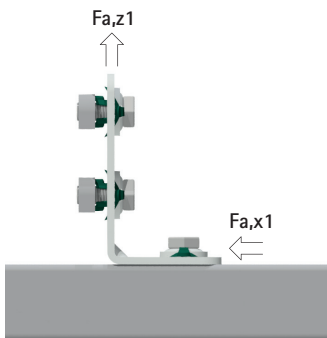
#665885102

B x H (mm)	On rail type	T (Nm)	Fa,z1 (N)	Fa,x1 (N)	Fa,z2 (N)	Fa,x2 (N)
62 x 42	L (1.5 mm)	35	2,170	1,800	2,170	1,800
62 x 42	L (1.5 mm)	40	2,760	2,000	2,760	2,000
62 x 42	H (2.5 mm)	35	4,000	2,270	4,000	2,270



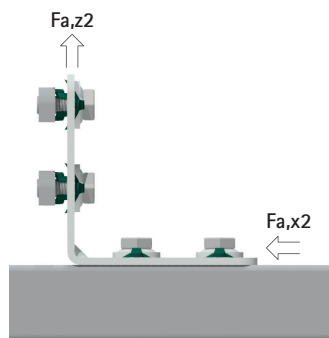
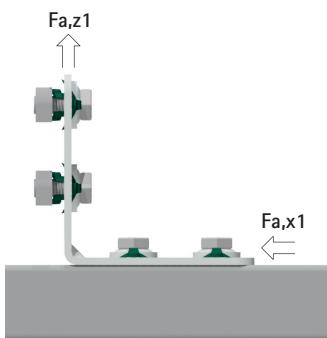
#665885202

B x H (mm)	On rail type	T (Nm)	Fa,z1 (N)	Fa,x1 (N)	Fa,z2 (N)	Fa,x2 (N)
62 x 62	L (1.5 mm)	35	2,170	1,800	2,170	1,800
62 x 62	L (1.5 mm)	40	2,760	2,000	2,760	2,000
62 x 62	H (2.5 mm)	35	4,000	2,270	4,000	2,270



#665885203

B x H (mm)	On rail type	T (Nm)	Fa,z1 (N)	Fa,x1 (N)	Fa,z2 (N)	Fa,x2 (N)
103 x 62	L (1.5 mm)	35	2,170	1,800	2,550	3,560
103 x 62	L (1.5 mm)	40	2,760	2,000	2,710	4,330
103 x 62	H (2.5 mm)	35	4,000	2,270	4,500	4,700



#665885205

B x H (mm)	On rail type	T (Nm)	Fa,z1 (N)	Fa,x1 (N)	Fa,z2 (N)	Fa,x2 (N)
103 x 103	L (1.5 mm)	35	2,550	3,560	2,550	3,560
103 x 103	L (1.5 mm)	40	2,710	4,330	2,710	4,330
103 x 103	H (2.5 mm)	35	4,500	4,700	4,500	4,700

Find out how we can support you

Would you like to find out more about any of the solutions described in this Technical Data Sheet?
Or would you like to discuss how we could help you find the best possible solution for your project?
Get in touch today!

United Kingdom

Ireland

Walraven Ltd.

18 Wildmere Road
Banbury (GB)
Oxon, OX16 3JU
Tel. +44 1295 75 34 00
sales.uk@walraven.com

Walraven Group

Mijdrecht (NL) · Tienen (BE) · Bayreuth (DE) · Banbury (GB) · Malmö (SE) · Grenoble (FR) · Barcelona (ES) · Milan (IT)
Kraków (PL) · Mladá Boleslav (CZ) · Kyiv (UA) · Danville (US) · Shanghai (CN) · Dubai (AE) · Budapest (HU) · Mumbai (IN)
Singapore (SG) · Burlington (CA) · Athens (GR)

Technical Data Sheet Walraven RapidStrut® Rail Connector 90° G2 (EN) - TR230504 - 04/2024 - PDF - Full content subject to modifications
* The technical data are non-binding and do not reflect the warranted characteristics of the products. They are subject to change. Please consult
our General Terms and Conditions. Additional information is available upon request. It is the designer's responsibility to select products suitable
for the intended purpose and to ensure that performance data are not exceeded. The installation instructions should always be read and followed.