

Walraven RapidStrut® Connector 90° / 2D

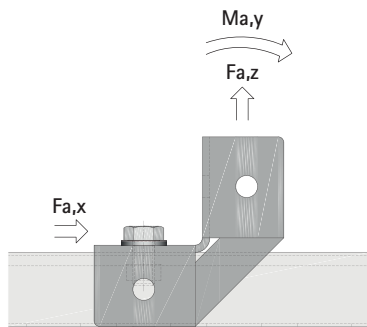
Technical Data Sheet

All tests with rails type L (1.5 mm thickness) are made according RAL-GZ 655 guideline.

All tests were made by using Walraven Slide Nuts M12 (Part No. 65188012), Walraven Bolts M12 x 30 mm (Part No. 61481230) and Walraven Washers 24 x 2.5 mm (Part No. 65381312).

Fasteners were tightened with installation torque (T) of 25 Nm (when tested with rails type L) or 35 Nm (when tested with rails type H).

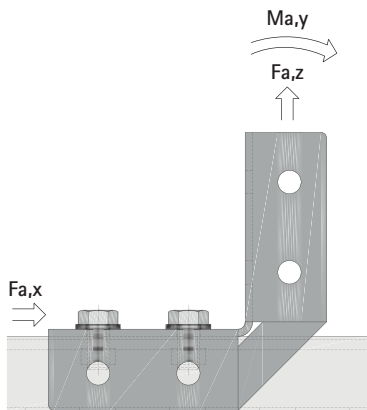
Walraven RapidStrut® Connector 90° / 2D (BUP1000)



#66598914



On rail type	T (Nm)	Fa,x (N)	Fa,z (N)	Ma,y (Nm)
L (1.5 mm)	25	1,700	2,220	81
H (2.5 mm)	35	1,840	7,060	120



#66598918



On rail type	T (Nm)	Fa,x (N)	Fa,z (N)	Ma,y (Nm)
L (1.5 mm)	25	2,820	3,070	240
H (2.5 mm)	35	3,420	7,310	307

Find out how we can support you

Would you like to find out more about any of the solutions described in this Technical Data Sheet?
Or would you like to discuss how we could help you find the best possible solution for your project?
Get in touch today!

Walraven International

Industrieweg 5
3641 RK Mijdrecht (NL)
Tel. +31 297 23 30 00
Fax +31 297 23 30 99
export@walraven.com

Walraven Group

Mijdrecht (NL) · Tienen (BE) · Bayreuth (DE) · Banbury (GB) · Malmö (SE) · Grenoble (FR) · Barcelona (ES) · Milan (IT)
Kraków (PL) · Mladá Boleslav (CZ) · Kyiv (UA) · Danville (US) · Shanghai (CN) · Dubai (AE) · Budapest (HU) · Mumbai (IN)
Singapore (SG) · Burlington (CA) · Athens (GR)