

# Walraven RapidStrut® Connector 90° / 2D

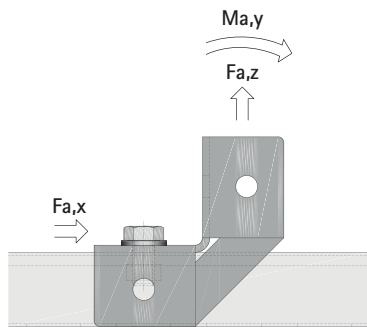
## Technical Data Sheet

All tests with rails type L (1.5 mm thickness) are made according RAL-GZ 655 guideline.

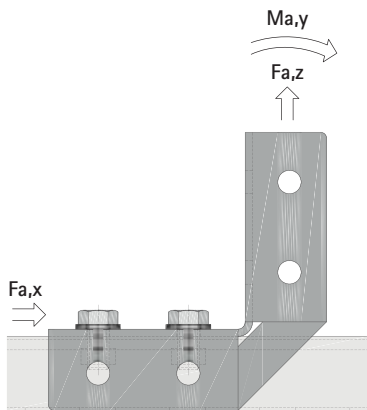
All tests were made by using Slide Nuts M12 (Part No. 65188012), Bolts M12 x 30 mm (Part No. 61481230) and Washers 24 x 2.5 mm (Part No. 65381312).

Fasteners were tightened with torque moment of 25 Nm (when tested with rails type L) or 35 Nm (when tested with rails type H).

## Walraven RapidStrut® Connector 90° / 2D (BUP1000)



#66598914



#66598918



On rail type	T (Nm)	Fa,x (N)	Fa,z (N)	Ma,y (Nm)
L (1.5 mm)	25	1,700	2,220	81
H (2.5 mm)	35	1,840	7,060	120



On rail type	T (Nm)	Fa,x (N)	Fa,z (N)	Ma,y (Nm)
L (1.5 mm)	25	2,820	3,070	240
H (2.5 mm)	35	3,420	7,310	307

## Find out how we can support you

Would you like to find out more about any of the solutions described in this Technical Data Sheet?  
Or would you like to discuss how we could help you find the best possible solution for your project?  
Get in touch today!

### United Kingdom

Ireland

---

### Walraven Ltd.

18 Wildmere Road  
Banbury (GB)  
Oxon, OX16 3JU  
Tel. +44 1295 75 34 00  
sales.uk@walraven.com

### Walraven Group

---

Mijdrecht (NL) · Tienen (BE) · Bayreuth (DE) · Banbury (GB) · Malmö (SE) · Grenoble (FR) · Barcelona (ES) · Milan (IT)  
Kraków (PL) · Mladá Boleslav (CZ) · Kyiv (UA) · Danville (US) · Shanghai (CN) · Dubai (AE) · Budapest (HU) · Mumbai (IN)  
Singapore (SG) · Burlington (CA) · Athens (GR)

Technical Data Sheet Walraven Strut Connector 90° / 2D (EN) - TR230708 - 04/2024 - PDF - Full content subject to modifications  
\* The technical data are non-binding and do not reflect the warranted characteristics of the products. They are subject to change. Please consult our General Terms and Conditions. Additional information is available upon request. It is the designer's responsibility to select products suitable for the intended purpose and to ensure that performance data are not exceeded. The installation instructions should always be read and followed.