

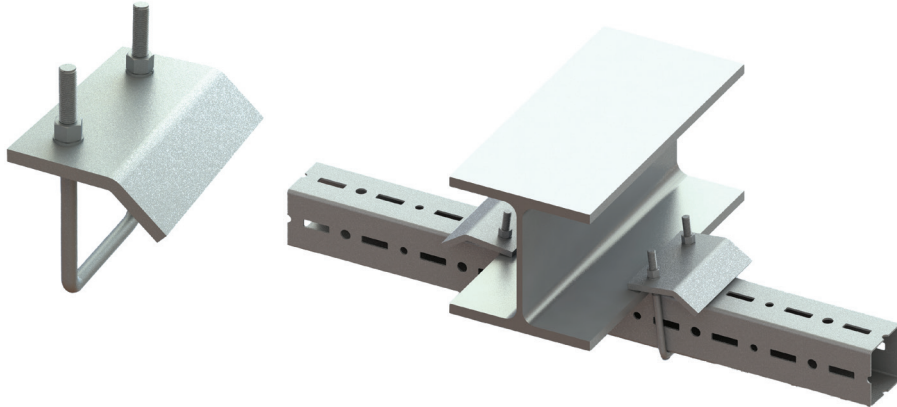
# Walraven Maxx Beam Clamp BC

## Technical Data Sheet

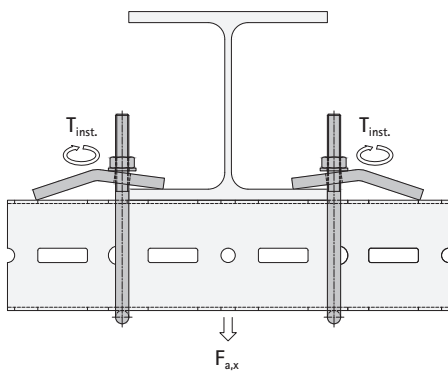
Beam clamps were tightened with a tightening torque of 40Nm.

Angled Test Setup was made with beam type HEA200.

All tests are evaluated based on the loss of tightening torque on the M12 bolts on the beam clamps.



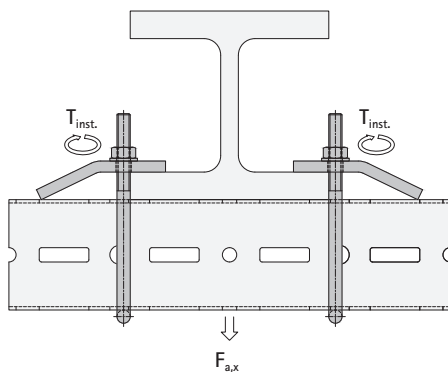
### Application with angled beam clamp (minimum flange thickness of 10mm)



Part No.	Type	For profile	T inst. [Nm]	Safe Load [kN]
6589109	BC80	80x80x3	40	11.2
6589110	BC100/120	100x100x3	40	12.4
6589110	BC100/120	100x120x4	40	12.4
6589115	BC150	100x150x4	40	12.4

Safety factor  $\gamma = 1.4$

### Application with straight beam clamp (maximum flange thickness of 25mm)



Part No.	Type	For profile	T inst. [Nm]	Safe Load [kN]
6589109	BC80	80x80x3	40	16.2
6589110	BC100/120	100x100x3	40	16.2
6589110	BC100/120	100x120x4	40	16.2
6589115	BC150	100x150x4	40	16.2

Safety factor  $\gamma = 1.4$

## Find out how we can support you

Would you like to find out more about any of the solutions described in this Technical Data Sheet?  
Or would you like to discuss how we could help you find the best possible solution for your project?  
Get in touch today!

### Walraven International

---

Industrieweg 5  
3641 RK Mijdrecht (NL)  
Tel. +31 297 23 30 00  
Fax +31 297 23 30 99  
[export@walraven.com](mailto:export@walraven.com)

### Walraven Group

---

Mijdrecht (NL) · Tienen (BE) · Bayreuth (DE) · Banbury (GB) · Malmö (SE) · Grenoble (FR) · Barcelona (ES) · Milan (IT)  
Kraków (PL) · Mladá Boleslav (CZ) · Kyiv (UA) · Danville (US) · Shanghai (CN) · Dubai (AE) · Budapest (HU) · Mumbai (IN)  
Singapore (SG) · Burlington (CA)

Technical Data Sheet Walraven Maxx Beam Clamps (EN-INT) – TR221001 v3 – 07/2024 – PDF – Subject to modifications  
\* The technical data are non-binding and do not reflect the warranted characteristics of the products. They are subject to change. Please consult our General Terms and Conditions. Additional information is available upon request. It is the designer's responsibility to select products suitable for the intended purpose and to ensure that performance data are not exceeded. The installation instructions should always be read and followed.