

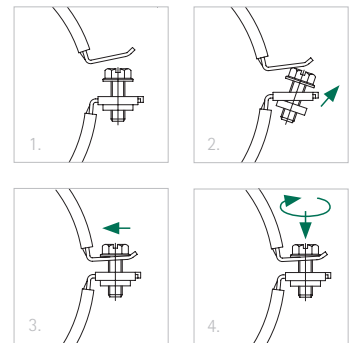
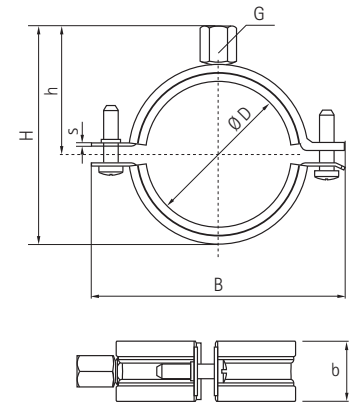
## Walraven KSB2 Clamp



### Product Specifications

- For the suspension of insulated and non-insulated metal pipes
- Double screw clamp features a swivel opening
- Features our patented quick-locking system
- Noise and vibration reducing lining according to DIN 4109
- Complies with A-A-1192A Type 4 and Manufacturers Standardization Society MSS-SP-58 and SP-69 Type 12
- Contains no plastizers
- Materials: zinc plated steel 1.0332, age-resistant lining: EPDM rubber

Part No.	D / CTS (")	D / IPS (")	DN	B (")	H (")	h (")	b x s (")	G1 (female)	Max. Rec. Load (lbf)	F <sub>a,z</sub> (N)	F <sub>a,z</sub> (N)	Pack 1
CR3398014	3/8	1/4	8	2 1/3	1 1/3	6/7	0.7874 x 18 (Ga)	3/8"	800	400	90	100
CR3398019	1/2	3/8	10	2 1/2	1 1/2	1	0.7874 x 18 (Ga)	3/8"	800	400	90	100
CR3398023	3/4	1/2	15	2 2/3	1 2/3	1	0.7874 x 18 (Ga)	3/8"	800	400	90	100
CR3398028	1	3/4	20	3	2	1 1/9	0.7874 x 18 (Ga)	3/8"	800	400	90	100
CR3398035	1 1/4	1	25	3 1/7	2 1/6	1 2/9	0.7874 x 18 (Ga)	3/8"	800	400	90	100
CR3398039	-	-	-	3 1/3	2 1/3	1 2/7	0.7874 x 18 (Ga)	3/8"	800	400	90	100
CR3398045	1 1/2	1 1/4	32	3 4/7	2 3/5	1 1/2	0.7874 x 18 (Ga)	3/8"	800	400	90	100
CR3398052	-	1 1/2	40	3 5/6	2 5/6	1 4/7	0.7874 x 18 (Ga)	3/8"	800	400	90	50
CR3398058	2	-	-	4	3 1/9	1 2/3	0.7874 x 18 (Ga)	3/8"	1,000	400	90	50
CR3398064	-	2	50	4 2/7	3 1/3	1 4/5	0.7874 x 18 (Ga)	3/8"	1,000	400	90	50
CR3398070	2 1/2	-	-	4 2/3	3 5/8	2	0.787 x 16 (Ga)	3/8"	1,000	400	90	50
CR3398079	-	2 1/2	65	5	4	2 1/8	0.787 x 16 (Ga)	3/8"	1,000	715	160	50
CR3398083	3	-	80	5 1/5	4 1/6	2 1/4	0.787 x 16 (Ga)	3/8"	1,500	715	160	50
CR3398091	3 1/2	3	-	5 3/5	4 2/5	2 1/3	0.906 x 14 (Ga)	3/8" - 1/2"	1,500	715	160	50
CR3398105	4	3 1/2	-	6 1/9	5	2 3/5	0.906 x 14 (Ga)	3/8" - 1/2"	1,750	1,230	275	50
CR3398115	-	4	100	6 1/2	5 2/7	2 3/4	0.906 x 14 (Ga)	3/8" - 1/2"	2,000	1,230	275	25
CR3398130	5	-	-	7 1/8	6	3	0.906 x 14 (Ga)	3/8" - 1/2"	2,000	1,230	275	25
CR3398140	-	5	150	7 4/9	6 2/7	3 1/4	0.906 x 14 (Ga)	3/8" - 1/2"	2,000	1,230	275	25
CR3398160	6	-	-	8 2/9	7	3 4/7	0.906 x 14 (Ga)	3/8" - 1/2"	2,000	1,230	275	25
CR3398169	-	6	-	8 6/7	7 2/3	4	0.9842 x 12 (Ga)	3/8" - 1/2"	3,000	2,390	540	20
CR3398180	-	-	-	9 3/8	7 7/8	4 1/4	0.9842 x 12 (Ga)	3/8" - 1/2"	3,000	2,390	540	15
CR3398200	-	-	-	10 1/8	9	4 2/3	0.9842 x 12 (Ga)	3/8" - 1/2"	3,000	2,390	540	15
CR3398210	-	-	-	10 3/5	9 4/9	4 7/8	0.9842 x 12 (Ga)	3/8" - 1/2"	3,000	2,390	540	10
CR3398225	-	8	200	11 1/7	10	5 1/2	0.9842 x 12 (Ga)	3/8" - 1/2"	3,000	2,390	540	10



<b>PRODUCT SUBMITTAL</b>		Architect / Owner:
Job Name:		
		Contractor:
Date:		
Part No.	Qty:	Notes:

THE INFORMATION CONTAINED IN THIS SUBMITTAL SHEET IS PROPRIETARY TO WALRAVEN, INC. AND IS SUBJECT TO CHANGE WITHOUT NOTICE. THIS INFORMATION MAY NOT BE REPRODUCED IN PART OR WHOLE WITHOUT WRITTEN AUTHORIZATION FROM WALRAVEN, INC.

