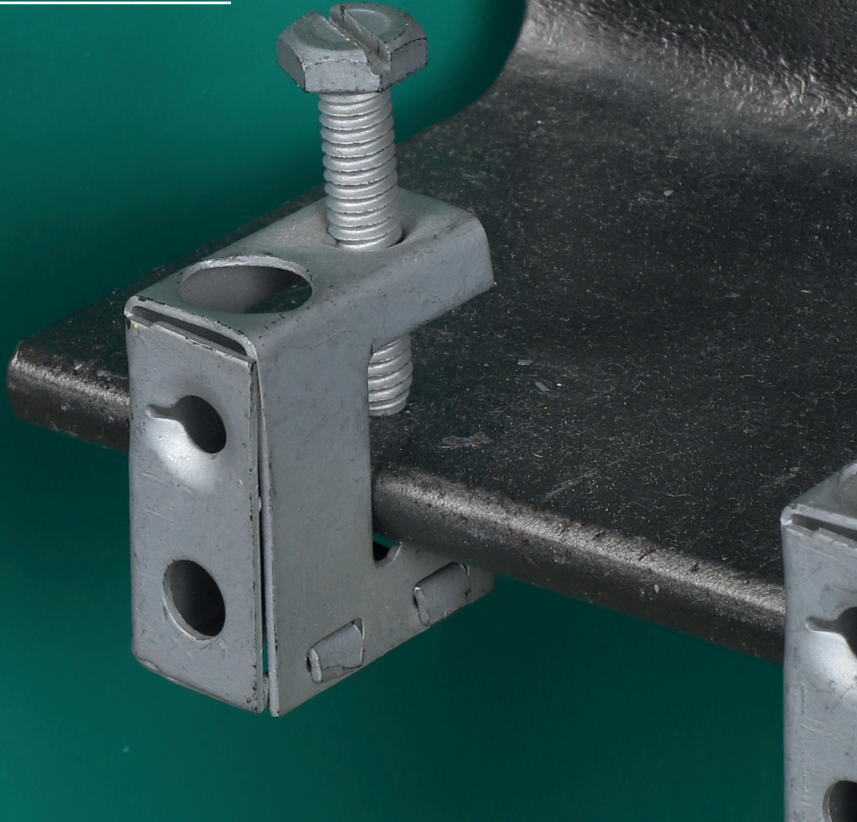


Fixings for electrical installations



Britclips[®]

Catalogue 2022



Britclips® RSWB

Rapid Sliding Wall Bracket

See page 99



The perfect solution for fitting electrical boxes, conduit, cable and pipes within stud walls.

- Multi-purpose bracket
- Simple mounting
- High quality galvanised steel finish
- Combines with other Walraven fixings



- Two sizes now available



1. Supplied in connected pairs, simply snap the brackets apart.



2. The brackets can be extended to fit between studs that are 16 to 24 inches apart.



3. Bend the bracket ends to fix onto the studs.

Table of contents



	Introduction	1
J	Britclips® Electrical Fixings	7
K	BIS Fixing Accessories	101
L	BIS Fastenings	117
	Index	119

Walraven Group

Walraven manufactures a wide range of fixing, fire protection and sanitary installation materials.

Since our foundation in 1942 we've expanded into a global organisation with over 1250 employees throughout the world.

Our products are sold through leading distributors and used by thousands of installers across the world.

Head office

J. van Walraven Holding B.V.
Mijdrecht (NL)



Market served by:

- Walraven companies
- Agents

18 Sales companies

Mijdrecht (NL)

Walraven B.V.
The Netherlands

Mijdrecht (NL)

Walraven International
Other countries

Tienen (BE)

Walraven BVBA
Belgium - Luxembourg

Bayreuth (DE)

Walraven GmbH
Germany - Austria - Switzerland
Italy - South East Europe

Grenoble (FR)

Walraven France Eurl
France

Banbury (UK)

Walraven Ltd.
United Kingdom - Ireland

Mladá Boleslav (CZ)

Walraven s.r.o.
Czech republic - Slovak republic

Kraków (PL)

Walraven Sp. z o.o.
Poland - Lithuania - Latvia
Estonia

Kyiv (UA)

Walraven Ltd.
Ukraine

Barcelona (ES)

Walraven Iberia S.L.
Spain - Portugal

Detroit (US)

Walraven, Inc.
United States of America
Canada

Moscow (RU)

Walraven LLC
Russia

Shanghai (CN)

Walraven Shanghai, Ltd.
China

Malmö (SE)

Walraven Nordic AB
Sweden - Denmark - Norway -
Finland - Iceland

Dubai (AE)

Hira Walraven
Middle East

Budapest (HU)

Walraven Kft.
Hungary - Romania

Mumbai (IN)

Diamond Walraven
India

Singapore (SG)

Walraven Pte. Ltd.
Singapore - Indonesia - Malaysia
Thailand - Vietnam - Cambodia
Brunei - Laos Myanmar - Australia
New Zealand



11 Production companies

Mijdrecht (NL)

J. van Walraven B.V.

Cista (CZ)

Suchánek & Walraven s.r.o.

Horka (CZ)

Suchánek & Walraven s.r.o.

Barcelona (ES)

Walraven Iberia S.L.

Banbury (UK)

Walraven Ltd.

Istanbul (TR)

Jefleks Plastik Kauçuk

Gramsbergen (NL)

Loko Gramsbergen B.V.

Horka (CZ)

SWO Tooling s.r.o.

Changshu (CN)

Walraven Metal Products
(Changshu) Co. Ltd

Detroit (US)

Walraven, Inc.

Mumbai (IN)

Diamond Walraven

Introducing Walraven for smart installation solutions

Walraven has been in the M&E fixings business since 1942. Our products are known for their quality and are considered by our customers to be innovative and market leading. Our products are designed to work together to offer total system solutions to installers.

Britclips®

Beam Clips, Cable Run Clips
and Conduit Clips



Pipe Clamps

starQuick®, BIS Bifix®
and BIS Heavy Duty Clamps



Rail

BIS RapidRail®, BIS RapidStrut®
and Maxx Rail



Rooftop Supports

BIS Yeti® 480, BIS Yeti® 335
and BIS Ursus®



Fixing Accessories

Rail Accessories,
Light and Heavy Duty Anchors



Fire Protection

Pacifyre® MK II, Pacifyre® EFC and
Pacifyre® A and S



To find out more, visit walraven.com

Quality

Production

The Walraven Group has production facilities in various countries, with modern machines which are often designed in-house. Each production company has its own speciality so that products can be manufactured in the most efficient manner.

Almost all of our tooling and moulds are produced in our own tool making facility. Walraven then manages the entire process - from product development to manufacture - and can quickly respond to developments in the market.

Innovation

The development of new products is always our priority. With our primary focus being on customer satisfaction. Think of comfort, time-saving during assembly and the highest degree of reliability when operational. A large number of innovations and patents is the result. Our innovation is not just limited to product development. Also our marketing is pushing the boundaries.

We develop and produce customer-specific or project-related products too. In addition, many of our standard products can be supplied in a special size or with a special surface treatment.

Quality

Our organization is ISO 9001:2015 certificated. This way we continuously improve operational processes, and thus the quality of the entire organization.

Our products meet the highest quality standards and are approved by many international institutes, such as:



Our fire protection products meet the highest international quality standards and are approved by many European certification institutes.



Our frames have been tested for load capacity and corrosion resistance in accordance with European standards.



Explanation Max. Allowed Load

Maximum allowed load:

From most of our products a maximum allowed load is included in the article tables. Stated values are determined by:

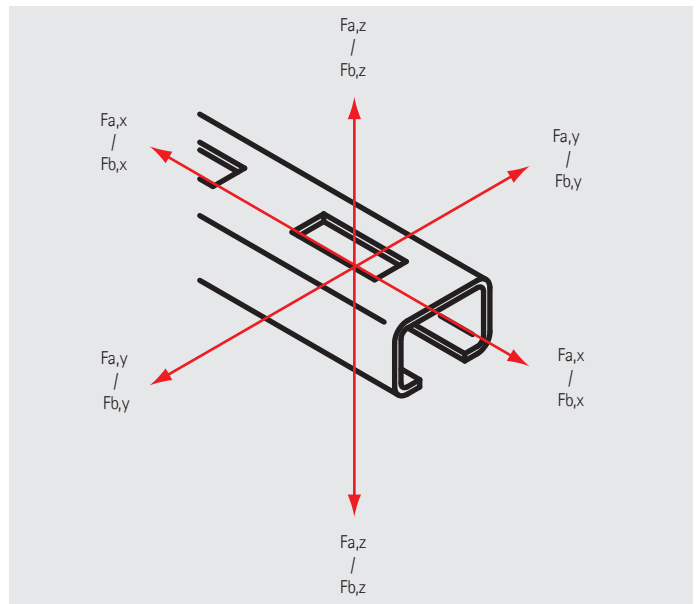
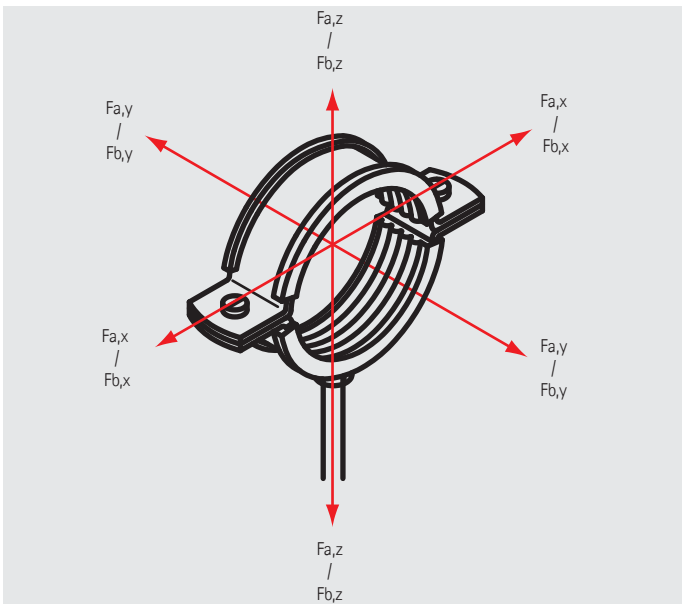
- a by Walraven developed measuring method
- the measuring method described in the testing prescriptions RAL-GZ 655, which is set up by the 'Gütegemeinschaft Rohrbefestigung'. If the product is provided with the 'RAL-Gütezeichen', the test results are checked by an independent testing institute.

Force directions (F) x, y and z (at 20 °C)

Fa = maximum allowed load

Fb = breaking load

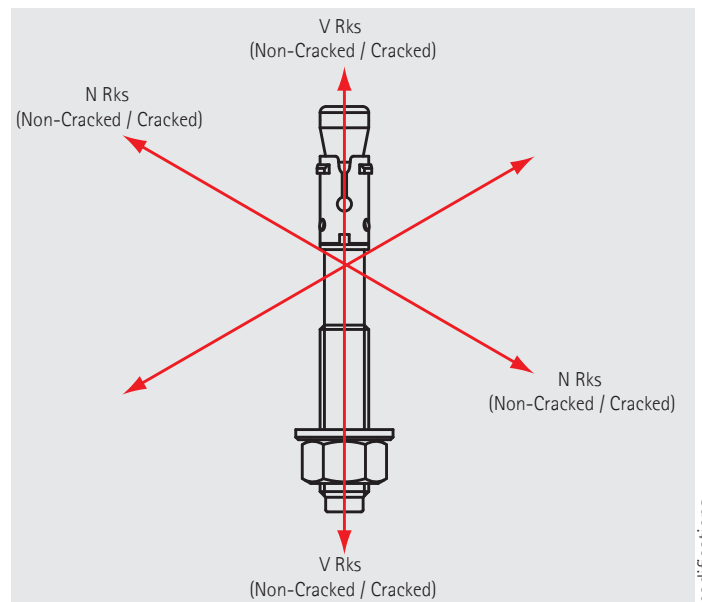
For plastic clamps the breaking load is included.



Force directions Anchoring

V Rks = Characteristic resistance value in non cracked or cracked concrete (kN) shear load with standard embedment depth

N Rks = Characteristic resistance value in non cracked or cracked concrete (kN) tension load with standard embedment depth



J Britclips® Electrical Fixings



Britclips® – Beam Clips

Britclips® Beam Clip	9
Britclips® Beam Clip / Cable Tie	10
Britclips® Beam Clip / Reversed Cable Tie	11
Britclips® Beam Clip / Saddle Combination	12
Britclips® Beam Clip / Saddle Combination (Metal)	13
Britclips® Beam Clip / Reversed Saddle Combination	14
Britclips® Beam Clip / Reversed Saddle Combination (Metal)	15
Britclips® Beam Clip / Conduit Combination	16
Britclips® Reversed Beam Clip / Conduit Combination	17
Britclips® Beam Clip / Locking Unit Combination	18
Britclips® Beam Clip / Horizontal Stud M6 x 9	19
Britclips® Light Duty Rod Hanger M6	20
Britclips® Push Fastener	21
Britclips® Beam Clip / Threaded Rod Hanger	22
Britclips® Universal Beam Clip / Double Cable	23



Britclips® – Universal Beam Clips

Britclips® Universal Beam Clip	24
Britclips® Universal Beam Clip M6 x 8	25
Britclips® Universal Beam Clip / Conduit Combination	26
Britclips® Side Mounted Beam Clip / Conduit Combination	27
Britclips® Universal Beam Clip / Locking Conduit Combination	28
Britclips® Universal Pipe Clip	29



Britclips® – Screw-on Beam Clamps

Britclips® Master Clamp	30
Britclips® Master Clamp / Conduit Combination	31
Britclips® Master Clamp / Light Duty Cable Tray Bracket	32
Britclips® Master Clamp / Locking Conduit Clip Combination	33
Britclips® Master Clamp / Side Mounted Locking Conduit Clip	34
Britclips® Master Clamp / Threaded Rod Hanger	35
Britclips® Master Clamp / Cable Tie	36
Britclips® Master Clamp / Cable Tie (Metal)	37



Britclips® – Push-on Clips

Britclips® Cable Run Clip Flange 2-7 mm	38
Britclips® Cable Run Clip Flange 8-12 mm	39
Britclips® Cable Run / Cable Tie Clip	40
Britclips® Slide-on Cable Clip (CG)	41



Britclips® – Threaded Rod Clips

Britclips® Support Clip	42
Britclips® Utility Clip	43
Britclips® Utility Conduit Clip	44
Britclips® Utility Locking Conduit Clip	45
Britclips® Utility Clip / Light Duty Cable Tray Bracket	46



Britclips® – Roof Deck Hangers

Britclips® Threaded Rod Deck Hanger	47
Britclips® Multiwedge Deck Hanger	48
Britclips® Alphawedge Deck Hanger	49



Britclips® – Acoustic Ceiling Clips

Britclips® T Bar / Twist On Clip (AC)	50
Britclips® T Bar / Twist On Clip (OAC)	51
Britclips® T Bar Clip	52
Britclips® Decor Sign Hanger	53
Britclips® Sign Hanger	54
Britclips® T Bar Straight Bracket	55
Britclips® T Bar Angle Bracket	56
Britclips® T Bar Angle Bracket Cable Tie	57
Britclips® T Bar Angle Bracket Cable Tie (Metal)	58

J Britclips® Electrical Fixings



Britclips® – Purlin Hangers

Britclips® Z Purlin Hanger	59
Britclips® Angled Profile Clip	60
Britclips® Z Purlin Threaded Rod Hanger	61
Britclips® Purlin Clamp	62
Britclips® Purlin Clip	63
Britclips® Purlin Clip / Threaded Rod Hanger	64
Britclips® Vertical Flange Clip	65
Britclips® Light Duty Flange Clip	66
Britclips® Vertical Flange Cable Saddle	67
Britclips® Vertical Flange Cable Saddle (Metal)	68
Britclips® Vertical Flange Threaded Rod Hanger	69
Britclips® Z Purlin Clamp	70
Britclips® Vertical Flange Clip / Locking Conduit Combination	71
Britclips® Vertical Flange Adjustable Rod Hanger	72
Britclips® Angled Profile Clip / Rod Hanger	73



Britclips® – Composite Deck Hangers

Britclips® Wedge Nut	74
Britclips® Suspension Clip / Single Clip	75
Britclips® Dovetail Cable Hanger (HOL2)	76
Britclips® Dovetail Cable Hanger (HOL2-xC)	77
Britclips® Dovetail Cable Hanger (HOL1)	78
Britclips® TR60 Deck Hanger	79



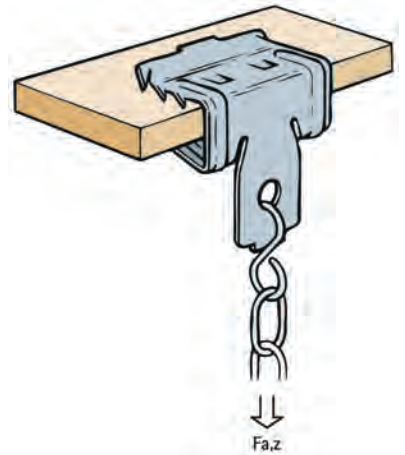
Britclips® – Miscellaneous

Britclips® Suspension Clip	80
Britclips® Bridle Ring	81
Britclips® Locking Conduit Clip	82
Britclips® Threaded Rod Hanger	83
Britclips® Right Angle Bracket	84
Britclips® Right Angle Threaded Rod Hanger	85
Britclips® Straight Shank Threaded Rod Hanger	86
Britclips® Right Angle Threaded Rod Hanger	87
Britclips® Metal Framing Conduit Clip	88
Britclips® Snap-in Conduit Clip	89
Britclips® Double Run Conduit Mount	90
Britclips® Double Run Locking Conduit Mount	91
Britclips® Pipe Clip	92
Britclips® Channel Clamp	93
Britclips® Cable / Conduit Clamp	94
Britclips® Ceiling Bracket	95
Britclips® Heavy Duty Threaded Clamp	96
Britclips® Double Cable Clip	97
BIS Cable Tie (Metal)	98
Britclips® RSWB	99

Britclips® Beam Clip

for flange 2 - 30 mm

(J 05 105)

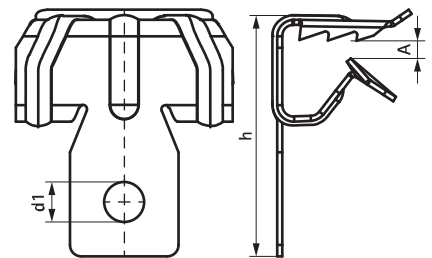


Features and benefits

- for a solid fixing to steel construction
- material: spring steel (type CS70)
- without the need for welding or drilling
- surface treatment: Delta-Tone 9000 (480 hours)
- with fixing hole (Ø 6.5 mm) to fix S-hook, bolt/nut, etc.

Part No.	Code	A (mm)	h (mm)	F _{a,z} (N)	Pack 1
EM50020004	BC125	2 - 4	27	450	100
EP50020004	BC125	2 - 4	27	450	25
EM50020009	BC250	4 - 8	39	950	100
EP50020009	BC250	4 - 8	39	950	25
EM50020016	BC500	8 - 14	41	950	100
EP50020016	BC500	8 - 14	41	950	25
EM50020020	BC750	14 - 20	47	950	100
EP50020020	BC750	14 - 20	47	950	25
EM50020030	BC1000	20 - 28	56	950	100

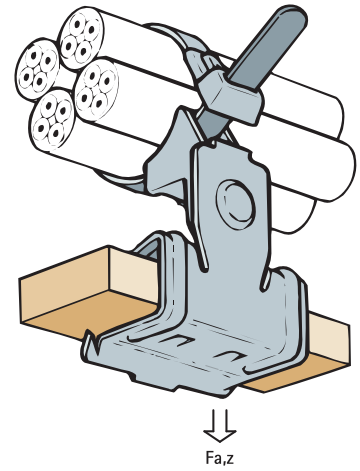
For use with static loads only.



Britclips® Beam Clip / Cable Tie

(J05 110)

for flange 2 - 30 mm

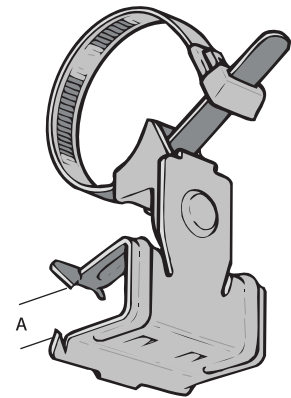


Features and benefits

- for a solid fixing to steel construction without the need for welding or drilling
- with saddle for cable tie attachment (up to width 7.6 mm)
- material: bracket made of spring steel (type CS70); tie-wrap clip of PA (polyamide), black
- surface treatment: Delta-Tone 9000 (480 hours)

Part No.	Code	A (mm)	Model	F _{a,z} (N)	Pack 1
EM50330204	BCCT12-10	2 - 4	With tie (L = 292 mm)	220	100
EM50330109	BCCT25-5.5	4 - 8	With tie (L = 160 mm)	220	100
EM50330209	BCCT25-10	4 - 8	With tie (L = 292 mm)	220	100
EM50330116	BCCT50-5.5	8 - 14	With tie (L = 160 mm)	220	50
EM50330216	BCCT50-10	8 - 14	With tie (L = 292 mm)	220	50

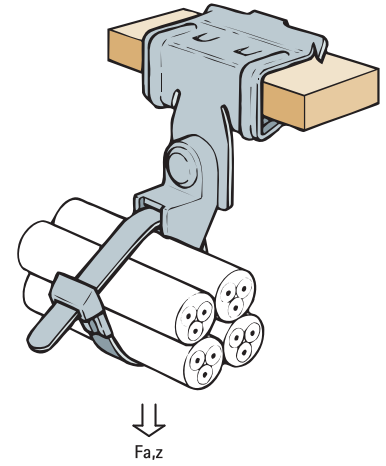
For use with static loads only.



Britclips® Beam Clip / Reversed Cable Tie

(J05 115)

for flange 2 - 30 mm

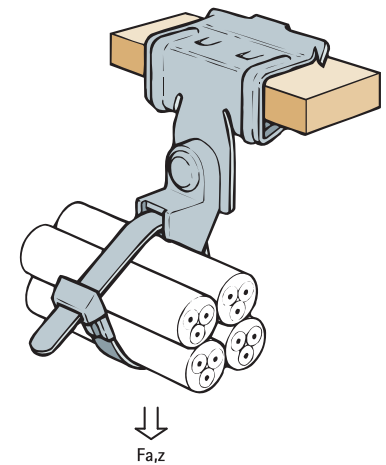


Features and benefits

- for a solid fixing to steel construction without the need for welding or drilling
- with saddle for cable tie attachment (up to width 7.6 mm)
- material: bracket made of spring steel (type CS70); tie-wrap clip of PA (polyamide), black
- surface treatment: Delta-Tone 9000 (480 hours)

Part No.	Code	A (mm)	Model	F _{a,z} (N)	Pack 1
EM50320204	BCCT12-10R	2 - 4	With tie (L = 292 mm)	220	100
EM50320109	BCCT25-5.5R	4 - 8	With tie (L = 160 mm)	220	100
EM50320209	BCCT25-10R	4 - 8	With tie (L = 292 mm)	220	100
EM50320116	BCCT50-5.5R	8 - 14	With tie (L = 160 mm)	220	50
EM50320216	BCCT50-10R	8 - 14	With tie (L = 292 mm)	220	50
EM50320120	BCCT75-5.5R	14 - 20	With tie (L = 160 mm)	220	50

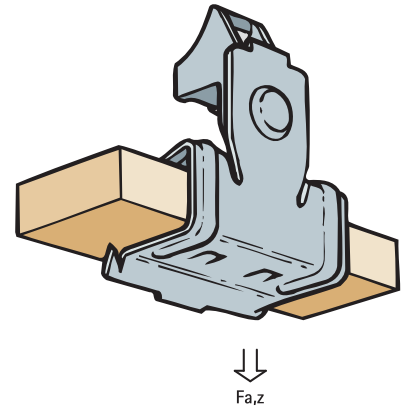
For use with static loads only.



Britclips® Beam Clip / Saddle Combination

for flange 2 - 30 mm

(J 05 120)

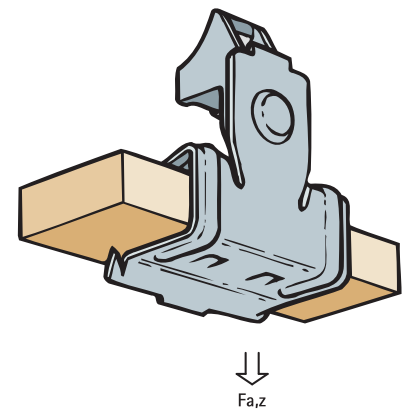


Features and benefits

- for a solid fixing to steel construction without the need for welding or drilling
- with saddle for cable tie attachment (up to width 7.6 mm)
- material: bracket made of spring steel (type CS70); tie-wrap clip of PA (polyamide), black
- surface treatment: Delta-Tone 9000 (480 hours)

Part No.	Code	A (mm)	F _{a,z} (N)	Pack 1
EM50330009	BCCT25	4 - 8	220	100
EM50330016	BCCT50	8 - 14	220	100
EM50330020	BCCT75	14 - 20	220	50
EM50330030	BCCT100	20 - 28	220	50

For use with static loads only.



Britclips® Beam Clip / Saddle Combination (Metal)

(J 05 122)

for flange



Features and benefits

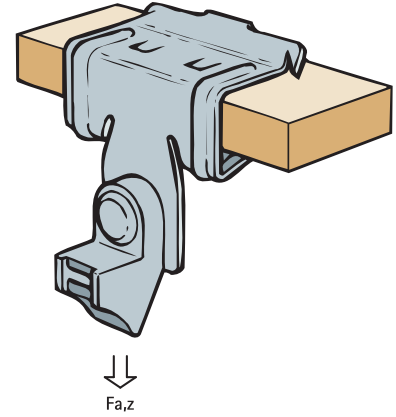
- for a solid fixing to steel construction without the need for welding or drilling
- with metal saddle for cable tie attachment
- material: clip made of spring steel (type CS70); saddle and cable tie made of stainless steel
- clip: surface treatment Delta-Tone 9000 (480 hours)

Part No.	Code	A (mm)	Model	F _{a,z} (N)	Pack 1
50331009	BCCT25M	4 - 8	No tie	220	100
50331016	BCCT50M	8 - 14	No tie	220	100
50331020	BCCT75M	14 - 20	No tie	220	50
50331030	BCCT100M	20 - 28	No tie	220	50
50331109	BCCT25-5.5M	4 - 8	With 200 mm cable tie	220	100
50331116	BCCT50-5.5M	8 - 14	With 200 mm cable tie	220	50
50331120	BCCT75-5.5M	14 - 20	With 200 mm cable tie	220	50
50331204	BCCT12-10M	2 - 4	With 300 mm cable tie	220	100
50331209	BCCT25-10M	4 - 8	With 300 mm cable tie	220	100
50331216	BCCT50-10M	8 - 14	With 300 mm cable tie	220	50
50331220	BCCT75-10M	14 - 20	With 300 mm cable tie	220	50
50331230	BCCT100-10M	20 - 28	With 300 mm cable tie	220	25

Britclips® Beam Clip / Reversed Saddle Combination

(J 05 125)

for flange 2 - 30 mm

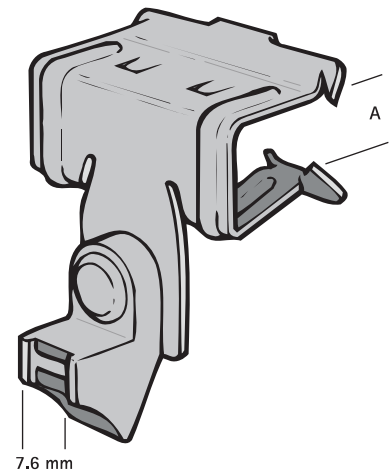


Features and benefits

- for a solid fixing to steel construction without the need for welding or drilling
- with saddle for cable tie attachment (up to width 7.6 mm)
- material: bracket made of spring steel (type CS70); tie-wrap clip of PA (polyamide), black
- surface treatment: Delta-Tone 9000 (480 hours)

Part No.	Code	A (mm)	F _{a,z} (N)	Pack 1
EM50320009	BCCT25R	4 - 8	220	100
EM50320016	BCCT50R	8 - 14	220	50
EM50320020	BCCT75R	14 - 20	220	50
EM50320030	BCCT100R	20 - 28	220	50

For use with static loads only.



Britclips® Beam Clip / Reversed Saddle Combination (Metal)

(J 05 127)

for flange



Features and benefits

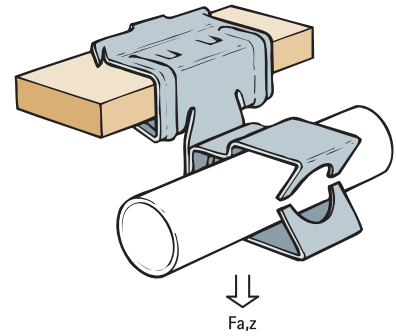
- for a solid fixing to steel construction without the need for welding or drilling
- with metal saddle for cable tie attachment
- material: clip made of spring steel (type CS70); saddle and cable tie made of stainless steel
- clip: surface treatment Delta-Tone 9000 (480 hours)

Part No.	Code	A (mm)	Model	F _{a,z} (N)	Pack 1
50321009	BCCT25RM	4 - 8	No tie	220	100
50321016	BCCT50RM	8 - 14	No tie	220	50
50321020	BCCT75RM	14 - 20	No tie	220	50
50321030	BCCT100RM	20 - 28	No tie	220	50
50321109	BCCT25-5.5RM	4 - 8	With 200 mm cable tie	220	100
50321116	BCCT50-5.5RM	8 - 14	With 200 mm cable tie	220	50
50321120	BCCT75-5.5RM	14 - 20	With 200 mm cable tie	220	50
50321204	BCCT12-10RM	2 - 4	With 300 mm cable tie	220	100
50321209	BCCT25-10RM	4 - 8	With 300 mm cable tie	220	100
50321216	BCCT50-10RM	8 - 14	With 300 mm cable tie	220	50
50321220	BCCT75-10RM	14 - 20	With 300 mm cable tie	220	50

Britclips® Beam Clip / Conduit Combination

for flange 2 - 30 mm

(J 05 130)

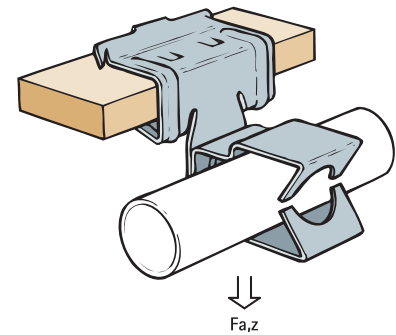


Features and benefits

- for a solid fixing to steel construction without the need for welding or drilling
- material: spring steel (type CS70)
- conduit clip swivels 360°
- surface treatment: Delta-Tone 9000 (480 hours)

Part No.	Code	D (mm)	A (mm)	F _{a,z} (N)	Pack 1
EM50162009	BCC25-50	20	4 - 8	110	100
EM50162016	BCC50-50	20	8 - 14	110	50
EM50162020	BCC75-50	20	14 - 20	110	50
EM50162030	BCC100-50	20	20 - 28	110	25
EM50162509	BCC25-75	25	4 - 8	110	50
EM50162516	BCC50-75	25	8 - 14	110	50
EM50162520	BCC75-75	25	14 - 20	110	50
EM50162530	BCC100-75	25	20 - 28	110	25

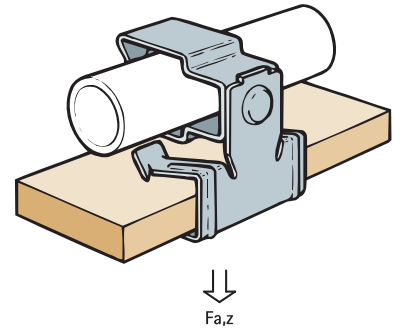
For use with static loads only.



Britclips® Reversed Beam Clip / Conduit Combination

(J 05 135)

for flange 2 - 30 mm

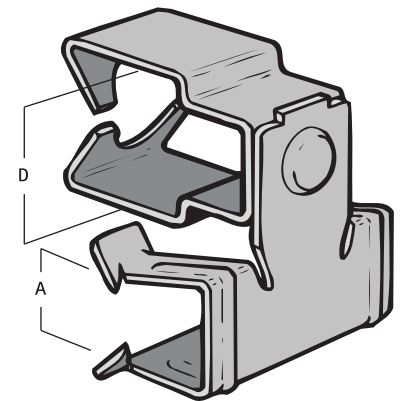


Features and benefits

- for a solid fixing to steel construction without the need for welding or drilling
- material: spring steel (type CS70)
- surface treatment: Delta-Tone 9000 (480 hours)

Part No.	Code	D (mm)	A (mm)	F _{a,z} (N)	Pack 1
EM50142009	BCC25-50R	20	4 - 8	110	50
EM50142016	BCC50-50R	20	8 - 14	110	50
EM50142020	BCC75-50R	20	14 - 20	110	50
EM50142030	BCC100-50R	20	20 - 28	110	50
EM50142509	BCC25-75R	25	4 - 8	110	100
EM50142516	BCC50-75R	25	8 - 14	110	50
EM50142520	BCC75-75R	25	14 - 20	110	50
EM50142530	BCC100-75R	25	20 - 28	110	50

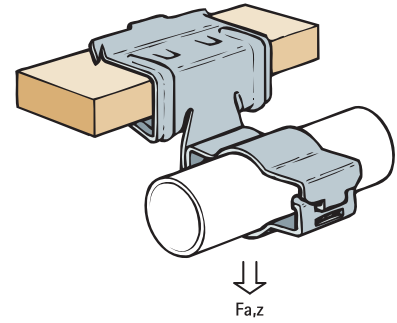
For use with static loads only.



Britclips® Beam Clip / Locking Unit Combination

(J 05 140)

for flange 2 - 30 mm

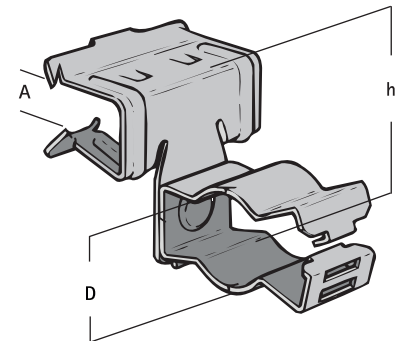


Features and benefits

- for a solid fixing to steel construction without the need for welding or drilling
- material: spring steel (type CS70)
- conduit clip swivels 360°
- surface treatment: Delta-Tone 9000 (480 hours)
- conduit clip with jaw locking (use pliers to lock)

Part No.	Code	D (mm)	A (mm)	h (mm)	F _{a,z} (N)	Pack 1
EM50122409	BLCC25-50	4 - 8	4 - 8	16	450	50
EM50122416	BLCC50-50	20 - 22	8 - 14	30	450	50
EM50122420	BLCC75-50	20 - 22	14 - 20	32	450	50
EM50122430	BLCC100-50	20 - 22	20 - 28	50	450	25
EM50122504	BLCC12-575	20 - 25	2 - 4	16	450	100
EM50122509	BLCC25-575	20 - 25	4 - 8	16	450	50
EM50122516	BLCC50-575	20 - 25	8 - 14	30	450	50
EM50122520	BLCC75-575	20 - 25	14 - 20	32	450	50
EM50122530	BLCC100-575	20 - 25	20 - 28	50	450	25
EM50122609	BLCC25-75	23 - 25	4 - 8	16	450	50
EM50122616	BLCC50-75	23 - 25	8 - 14	30	450	50
EM50122620	BLCC75-75	23 - 25	14 - 20	32	450	50
EM50122630	BLCC100-75	23 - 25	20 - 28	50	450	25
EM50123216	BLCC50-100	26 - 32	8 - 14	30	450	50
EM50123220	BLCC75-100	26 - 32	14 - 20	32	450	50

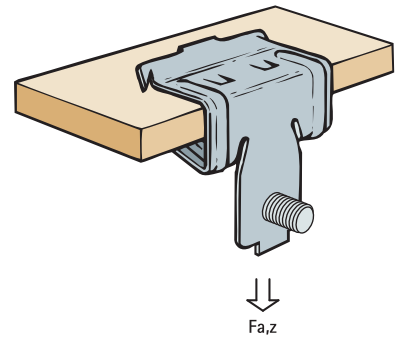
For use with static loads only.



Britclips® Beam Clip / Horizontal Stud M6 x 9

(J 05 145)

for flange 2 - 30 mm

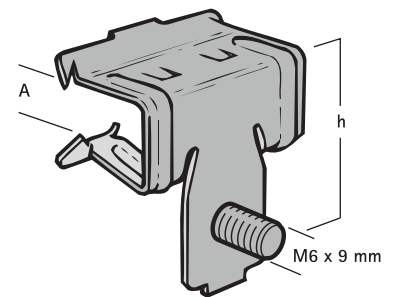


Features and benefits

- for a solid fixing to steel construction without the need for welding or drilling
- with stud bolt M6 x 9 mm for fixing of clamp, conduit junction box, etc.
- material: spring steel (type CS70)
- surface treatment: Delta-Tone 9000 (480 hours)

Part No.	Code	A (mm)	h (mm)	F _{a,z} (N)	Pack 1
EM50520604	BC125-M69SH	2 - 4	20	450	100
EM50520609	BC250-M69SH	4 - 8	21	450	100
EM50520616	BC500-M69SH	8 - 14	30	450	100
EM50520620	BC750-M69SH	14 - 20	32	450	100
EM50520630	BC1000-M69SH	23 - 30	50	450	50

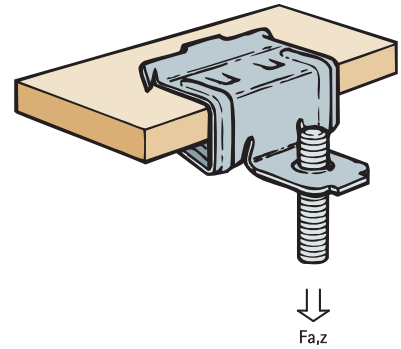
For use with static loads only.



Britclips® Light Duty Rod Hanger M6

for flange 5 - 16 mm

(J 05 155)

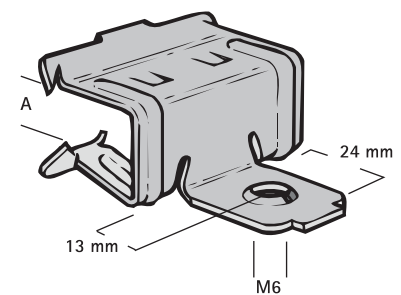


Features and benefits

- for a solid fixing to steel construction without the need for welding or drilling
- suitable for M6 threaded rod
- material: spring steel (type CS70)
- surface treatment: Delta-Tone 9000 (480 hours)

Part No.	Code	A (mm)	F _{a,z} (N)	Pack 1
EM50425609	BC250-M6	4 - 8	150	100
EM50425616	BC500-M6	8 - 14	150	100

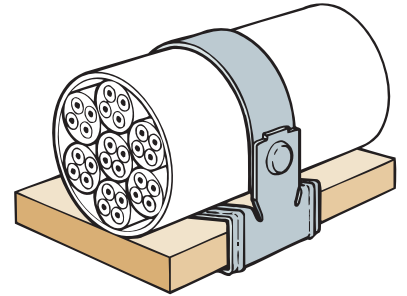
For use with static loads only.



Britclips® Push Fastener

for flange 2 - 20 mm

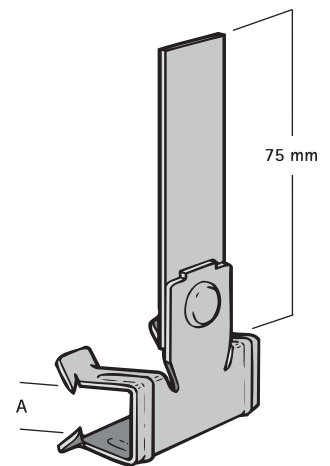
(J 05 160)



Features and benefits

- for a solid fixing to flanges without welding or drilling
- with flexible strip to support cables
- material: spring steel (type CS70)
- surface treatment: Delta-Tone 9000 (480 hours)

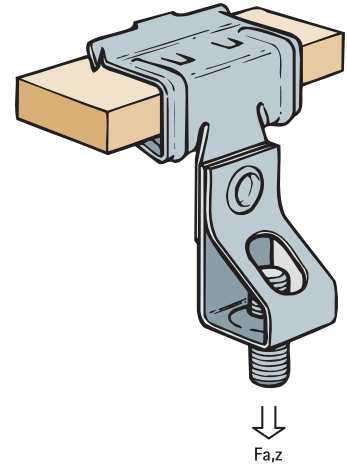
Part No.	Code	A (mm)	Pack 1
EM50327504	PF125	2 - 4	100
<i>For use with static loads only.</i>			



Britclips® Beam Clip / Threaded Rod Hanger

for flange 2 - 30 mm

(J 05 165)

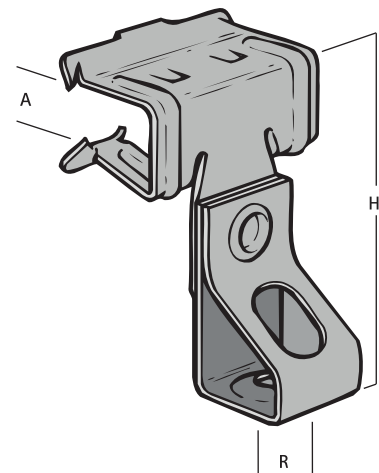


Features and benefits

- for a solid fixing to steel construction without the need for welding or drilling
- with threaded rod holder (rod height adjustable by screwing)
- material: spring steel (type CS70)
- surface treatment: Delta-Tone 9000 (480 hours)

Part No.	Code	A (mm)	R	H (mm)	F _{a,z} (N)	Pack 1
EM50420804	RH8MT-12	2 - 4	M8	44	680	100
EM50421004	RH10MT-12	2 - 4	M10	44	680	100
EM50420609	RH6MT-25	4 - 8	M6	51	680	100
EM50420809	RH8MT-25	4 - 8	M8	51	680	100
EM50421009	RH10MT-25	4 - 8	M10	51	680	100
EM50420616	RH6MT-50	8 - 14	M6	56	680	100
EM50420816	RH8MT-50	8 - 14	M8	56	680	100
EM50421016	RH10MT-50	8 - 14	M10	56	680	100
EM50420820	RH8MT-75	14 - 20	M8	63	680	100

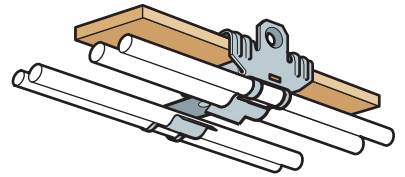
For use with static loads only.



Britclips® Universal Beam Clip / Double Cable

for flange 3 - 20 mm

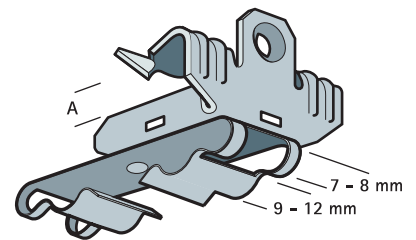
(J 05 190)



Features and benefits

- for a solid fixing to steel construction without the need for welding or drilling
- material: spring steel (type CS70)
- surface treatment: Delta-Tone 9000 (480 hours)

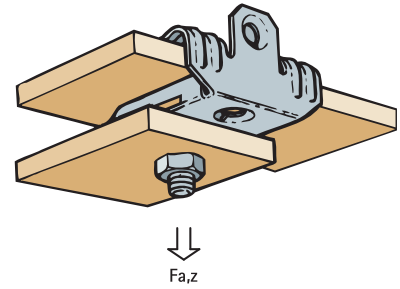
Part No.	Code	D (mm)	A (mm)	Pack 1
EM51199013	H5-8-DCC	7 - 12	8.0 - 12.5	50
<i>For use with static loads only.</i>				



Britclips® Universal Beam Clip

for flange 3 - 20 mm

(J 10 105)

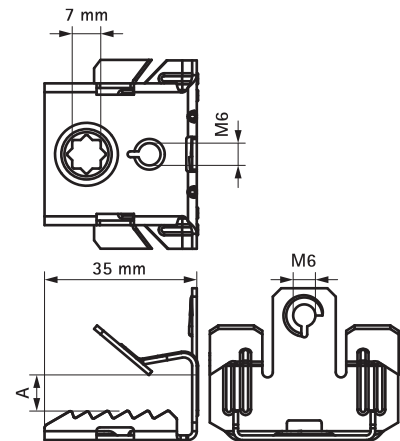


Features and benefits

- for a solid fixing under flanges without welding or drilling
- suitable for horizontal and vertical flanges
- with female thread M6
- material: spring steel (type CS70)
- surface treatment: Delta-Tone 9000 (480 hours)

Part No.	Code	A (mm)	F _{a,z} (N)	Pack 1
EM51420607	H2-4	3.0 - 7.0	450	100
EM51420613	H5-8	8.0 - 12.5	450	100
EM51420620	H9-12	14.0 - 20.0	450	50

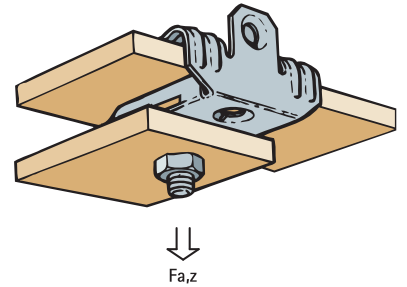
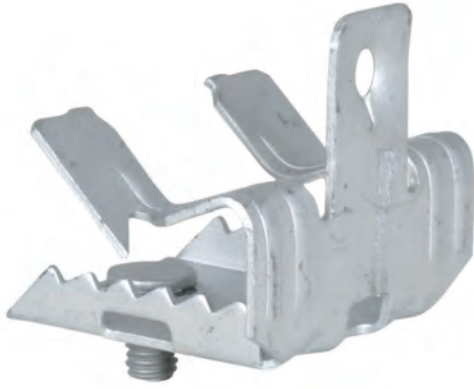
For use with static loads only.



Britclips® Universal Beam Clip M6 x 8

for flange 3 - 20 mm

(J 10 110)

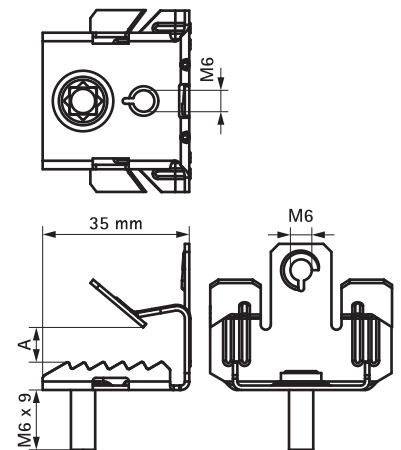


Features and benefits

- for a solid fixing under flanges without welding or drilling
- suitable for horizontal and vertical flanges
- with stud bolt M6 x 8 mm for fixing of clamp, conduit junction box, etc.
- material: spring steel (type CS70)
- surface treatment: Delta-Tone 9000 (480 hours)

Part No.	Code	A (mm)	F _{a,z} (N)	Pack 1
EM51520607	H2-4S	3.0 - 7.0	450	100
EM51520613	H5-8S	8.0 - 12.5	450	100
EM51520620	H9-12S	14.0 - 20.0	450	50

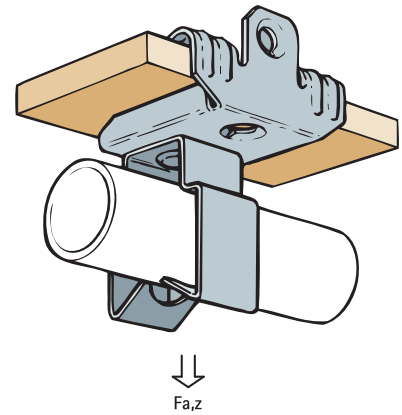
For use with static loads only.



Britclips® Universal Beam Clip / Conduit Combination

(J 10 115)

for flange 3 - 20 mm

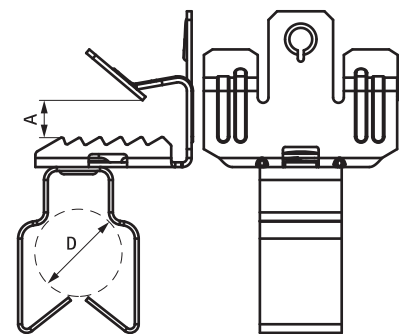


Features and benefits

- for a solid fixing to steel construction without the need for welding or drilling
- material: spring steel (type CS70)
- conduit clip swivels 360°
- surface treatment: Delta-Tone 9000 (480 hours)

Part No.	Code	D (mm)	A (mm)	F _{a,z} (N)	Pack 1
EM51132007	50H2-4	20	3.0 - 7.0	110	100
EM51132013	50H5-8	20	8.0 - 12.5	110	50
EM51132020	50H9-12	20	14.0 - 20.0	110	50
EM51132507	75H2-4	25	3.0 - 7.0	110	100
EM51132513	75H5-8	25	8.0 - 12.5	110	50
EM51132520	75H9-12	25	14.0 - 20.0	110	50

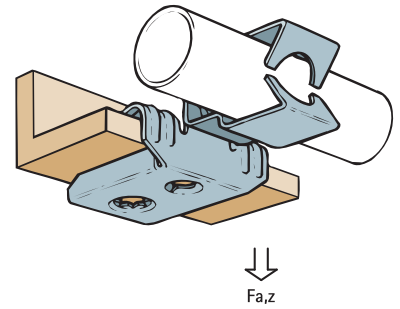
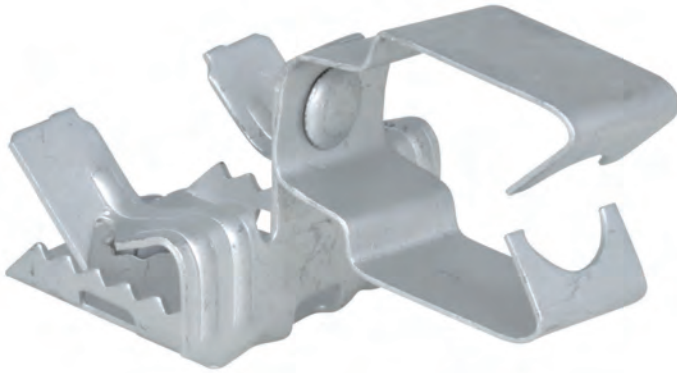
For use with static loads only.



Britclips® Side Mounted Beam Clip / Conduit Combination

(J 10 120)

for flange 3 - 20 mm

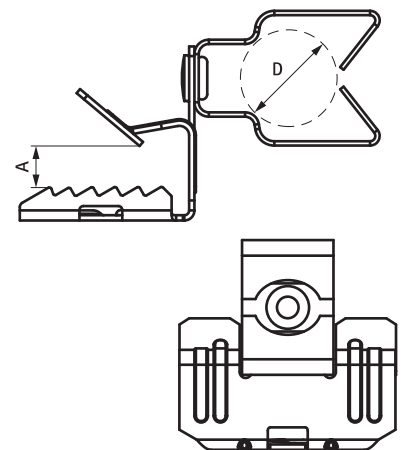


Features and benefits

- for a solid fixing to steel construction without the need for welding or drilling
- material: spring steel (type CS70)
- conduit clip swivels 360°
- surface treatment: Delta-Tone 9000 (480 hours)

Part No.	Code	D (mm)	A (mm)	F _{a,z} (N)	Pack 1
EM51142513	75H5-8SM	25	8.0 - 12.5	110	50
EM51142520	75H9-12SM	25	14.0 - 20.0	110	50

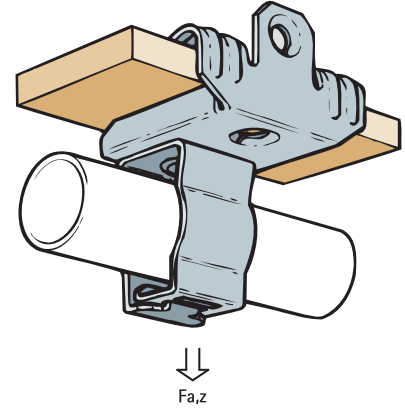
For use with static loads only.



Britclips® Universal Beam Clip / Locking Conduit Combination

(J 10 125)

for flange 3 - 20 mm

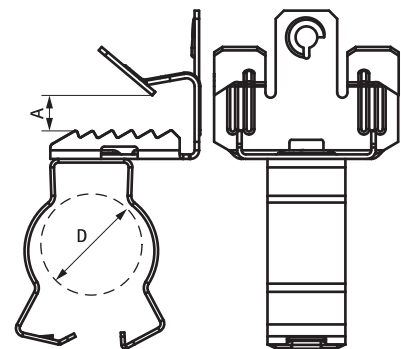


Features and benefits

- for a solid fixing under flanges without welding or drilling
- conduit clip swivels 360°
- conduit clip with jaw locking (use pliers to lock)
- material: spring steel (type CS70)
- surface treatment: Delta-Tone 9000 (480 hours)

Part No.	Code	D (mm)	A (mm)	F _{a,z} (N)	Pack 1
EM51122413	HN50L	20 - 22	8.0 - 12.5	450	50
EM51122420	HO50L	20 - 22	14.0 - 20.0	450	50
EM51122507	HM575L	20 - 25	3.0 - 7.0	450	50
EM51122513	HN575L	20 - 25	8.0 - 12.5	450	50
EM51122520	HO575L	20 - 25	14.0 - 20.0	450	50
EM51122613	HN75L	23 - 25	8.0 - 12.5	450	50
EM51122620	HO75L	23 - 25	14.0 - 20.0	450	50
EM51123207	HM100L	26 - 32	3.0 - 7.0	450	50

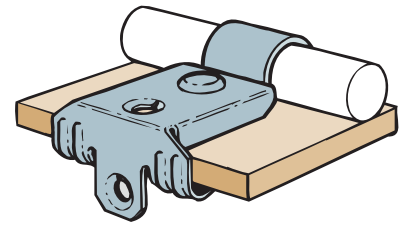
For use with static loads only.



Britclips® Universal Pipe Clip

for flange 3 - 20 mm

(J 10 130)

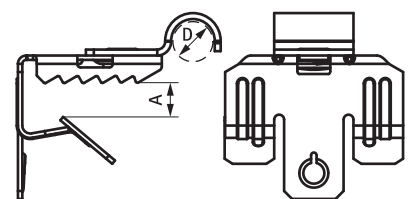


Features and benefits

- for a solid fixing to steel construction without the need for welding or drilling
- Part No. EM 51171213: suits up to 12 mm diameter cable
- Part No. EM 51171213: is for use with rail types: BS110, BS113, UIC54 and UIC 60
- surface treatment: Britclips® Universal Beam Clips: Delta-Tone 9000 (480 hours); Britclips® Pipe Clips: zinc plated
- material: Britclips® Universal Beam Clips made of spring steel (type CS70); Britclips® Pipe Clips made of steel

Part No.	Code	D (mm)	A (mm)	Pack 1
EM51171213	HP5-12	12	8.0 - 12.5	100

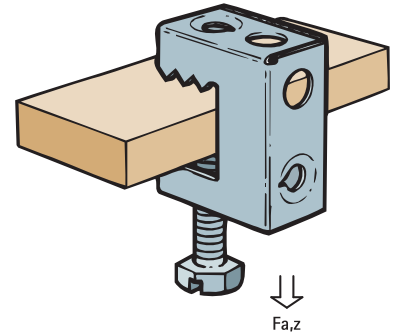
For use with static loads only.



Britclips® Master Clamp

for flange 2 - 17 mm

(J 15 105)

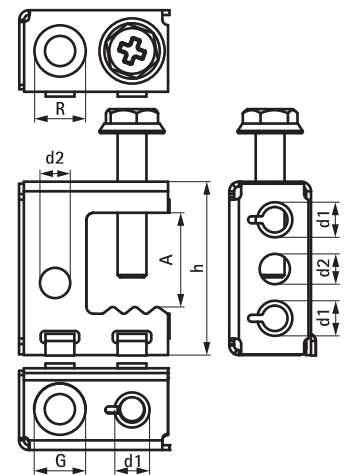


Features and benefits

- for a solid fixing to steel construction without the need for welding or drilling
- various fixing possibilities to clamp (horizontal and vertical)
- with thread connector M6
- material: spring steel (type CS70)
- surface treatment: Delta-Tone 9000 (480 hours)

Part No.	Code	G	F _{a,z} (N)	Pack 1
EM53420717	MC	Ø 6.5 mm	550	100
EP53420717	MC	Ø 6.5 mm	550	25
EM53421117	MC10	Ø 11.0 mm	550	100

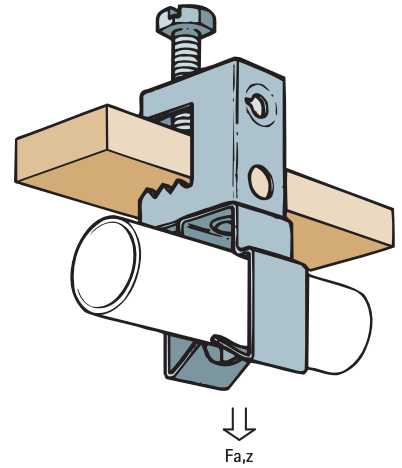
For use with static loads only.



Britclips® Master Clamp / Conduit Combination

(J 15 110)

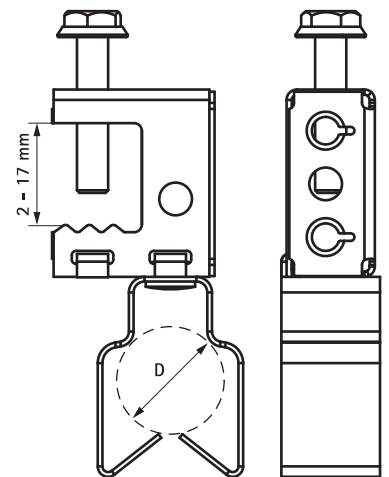
for flange 2 - 17 mm



Features and benefits

- for a solid fixing to steel construction without the need for welding or drilling
- various fixing possibilities to clamp (horizontal and vertical)
- conduit clip swivels 360°
- material: spring steel (type CS70)
- surface treatment: Delta-Tone 9000 (480 hours)

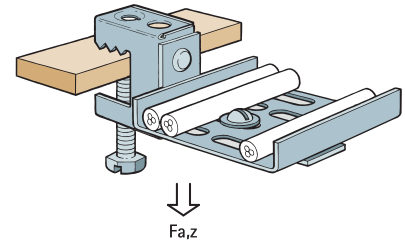
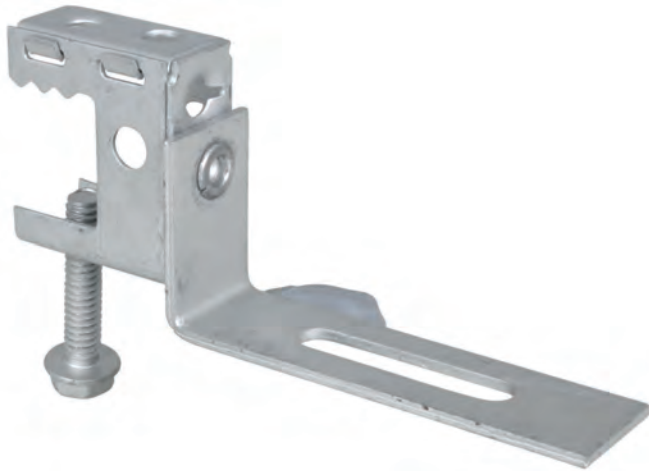
Part No.	Code	D (mm)	F _{a,z} (N)	Pack 1
EM53142518	CH750	25	110	50
<i>For use with static loads only.</i>				



Britclips® Master Clamp / Light Duty Cable Tray Bracket

(J 15 125)

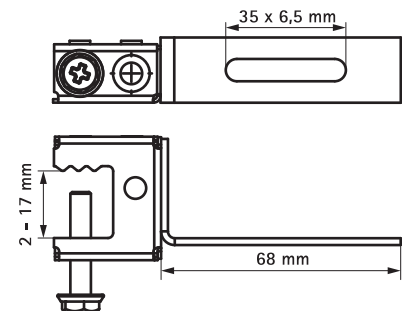
for flange 2 - 17 mm



Features and benefits

- for a solid fixing to steel construction without the need for welding or drilling
- for light duty cable trays
- material: Britclips® Master Clamps made of spring steel (type CS70); Britclips® Light Duty Cable Tray Bracket made of steel
- surface treatment: Delta-Tone 9000 (480 hours)

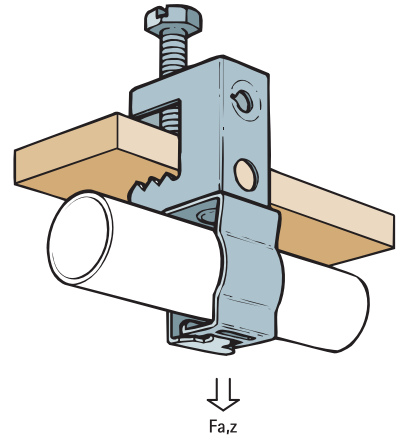
Part No.	Code	$F_{a,z}$ (N)	Pack 1
EM53920017	MC-CTB	150	100
<i>For use with static loads only.</i>			



Britclips® Master Clamp / Locking Conduit Clip Combination

(J 15 130)

for flange 2 - 17 mm

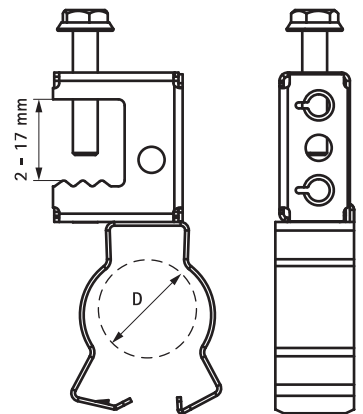


Features and benefits

- for a solid fixing to steel construction without the need for welding or drilling
- suitable for pipe or cable fixing
- conduit clip swivels 360°
- conduit clip with jaw locking (use pliers to lock)
- material: spring steel (type CS70)
- surface treatment: Delta-Tone 9000 (480 hours)

Part No.	Code	D (mm)	F _{a,z} (N)	Pack 1
EM53122418	CHL500	20 - 22	450	50
EM53122518	CHL575	20 - 25	450	50
EM53122618	CHL750	23 - 25	450	50

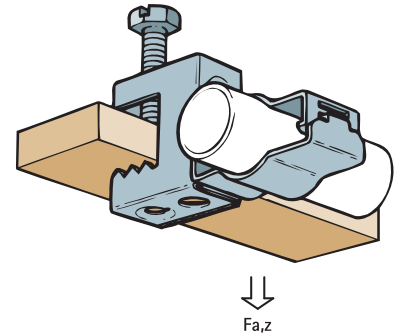
For use with static loads only.



Britclips® Master Clamp / Side Mounted Locking Conduit Clip

(J 15 135)

for flange 2 - 17 mm

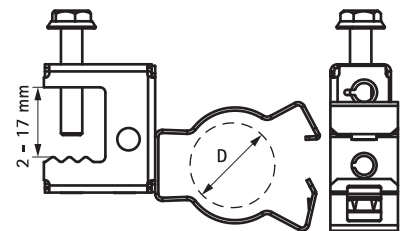


Features and benefits

- for a solid fixing to steel construction without the need for welding or drilling
- suitable for pipe or cable fixing
- conduit clip swivels 360°
- conduit clip with jaw locking (use pliers to lock)
- material: spring steel (type CS70)
- surface treatment: Delta-Tone 9000 (480 hours)

Part No.	Code	D (mm)	F _{a,z} (N)	Pack 1
EM53122417	CHL500V	20 - 22	450	50
EM53122517	CHL575V	20 - 25	450	50

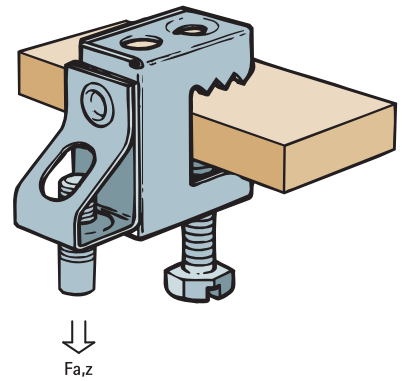
For use with static loads only.



Britclips® Master Clamp / Threaded Rod Hanger

(J 15 140)

for flange 2 - 17 mm

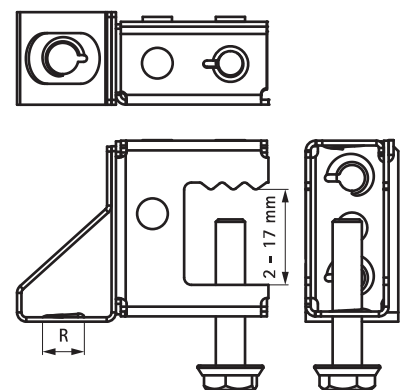


Features and benefits

- for a solid fixing to steel construction without the need for welding or drilling
- with threaded rod holder (rod height adjustable by screwing)
- material: spring steel (type CS70)
- surface treatment: Delta-Tone 9000 (480 hours)

Part No.	Code	R	F _{a,z} (N)	Pack 1
EM53420617	MRH6MT	M6	300	100
EM53420817	MRH8MT	M8	300	100
EM53421017	MRH10MT	M10	300	100

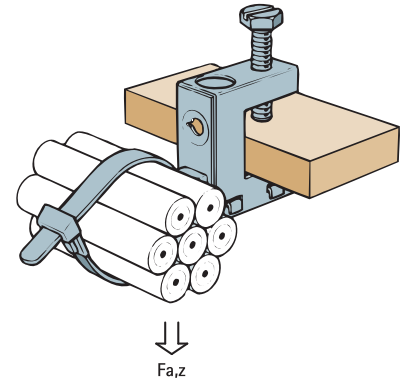
For use with static loads only.



Britclips® Master Clamp / Cable Tie

for flange 2 - 17 mm

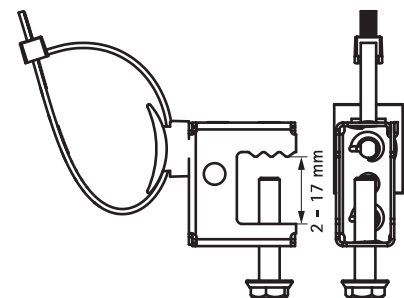
(J 15 160)



Features and benefits

- for a solid fixing to steel construction without the need for welding or drilling
- various fixing possibilities to clamp (horizontal and vertical)
- with saddle for cable tie attachment (up to width 7.6 mm)
- material: bracket made of spring steel (type CS70); tie-wrap clip of PA (polyamide), black
- surface treatment: Delta-Tone 9000 (480 hours)

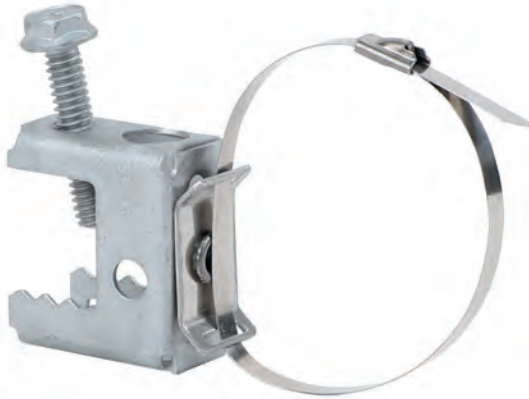
Part No.	Code	Model	F _{a,z} (N)	Pack 1
EM53320017	MCCT	No tie	220	100
<i>For use with static loads only.</i>				



Britclips® Master Clamp / Cable Tie (Metal)

(J 15 165)

for flange



Features and benefits

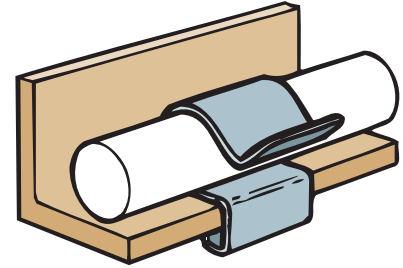
- for a solid fixing to steel construction without the need for welding or drilling
- various fixing possibilities to clamp (horizontal and vertical)
- with metal saddle for cable tie attachment
- material: clip made of spring steel (type CS70); saddle made of stainless steel
- clip: surface treatment Delta-Tone 9000 (480 hours)

Part No.	Code	A (mm)	Model	F _{a,z} (N)	Pack 1
53321017	MCCTM	2 - 18	No tie	220	100

Britclips® Cable Run Clip Flange 2-7 mm

for flange 2 - 7 mm

(J 20 105)

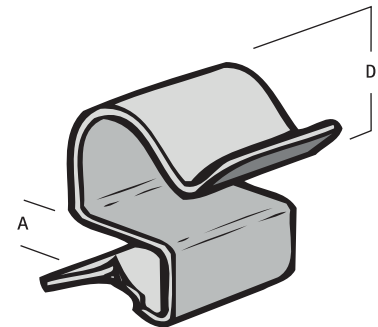


Features and benefits

- for quick fixing of cables
- material: spring steel (type CS70)
- surface treatment: Delta-Tone 9000 (480 hours)

Part No.	Code	D (mm)	A (mm)	Pack 1
EM52020604	CR25	4.5 - 5.5	2 - 4	100
EM52020704	CR26	6.0 - 7.0	2 - 4	100
EP52020704	CR26	6.0 - 7.0	2 - 4	25
EM52020904	CR27	7.0 - 9.0	2 - 4	100
EP52020904	CR27	7.0 - 9.0	2 - 4	25
EM52021104	CR210	10.0 - 11.0	2 - 4	100
EP52021104	CR210	10.0 - 11.0	2 - 4	25
EM52021404	CR212	12.0 - 14.0	2 - 4	100
EP52021404	CR212	12.0 - 14.0	2 - 4	25
EM52021804	CR215	15.0 - 18.0	2 - 4	100
EP52021804	CR215	15.0 - 18.0	2 - 4	25
EM52022404	CR219	19.0 - 24.0	2 - 4	100
EP52022404	CR219	19.0 - 24.0	2 - 4	25
EM52023004	CR225	25.0 - 30.0	2 - 4	100
EP52023004	CR225	25.0 - 30.0	2 - 4	25
EM52020607	CR45	4.5 - 5.5	4 - 7	100
EP52020707	CR46	6.0 - 7.0	4 - 7	25
EM52020907	CR47	7.0 - 9.0	4 - 7	100
EP52020907	CR47	7.0 - 9.0	4 - 7	25
EM52021107	CR410	10.0 - 11.0	4 - 7	100
EP52021107	CR410	10.0 - 11.0	4 - 7	25
EM52021407	CR412	12.0 - 14.0	4 - 7	100
EP52021407	CR412	12.0 - 14.0	4 - 7	25
EM52021807	CR415	15.0 - 18.0	4 - 7	100
EP52021807	CR415	15.0 - 18.0	4 - 7	25
EM52022407	CR419	19.0 - 24.0	4 - 7	100
EP52022407	CR419	19.0 - 24.0	4 - 7	25
EM52023007	CR425	25.0 - 30.0	4 - 7	100
EP52023007	CR425	25.0 - 30.0	4 - 7	25

For use with static loads only.



Britclips® Cable Run Clip Flange 8-12 mm

(J 20 110)

for flange 8 - 20 mm



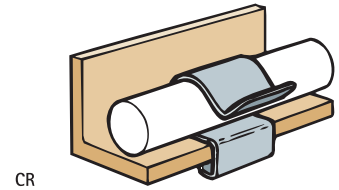
EX 5202 X XXX



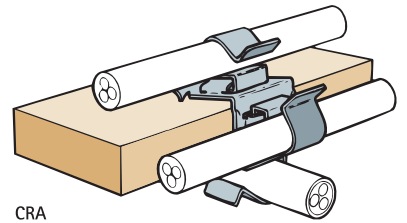
EX 5202 0 020

Features and benefits

- for quick fixing of cables
- Part No's EM/EP 5202 0 020: adaptor for fastening of maximum 3 cable run clips (type CR)
- Part No's EM/EP 52020020: adaptor for fastening of maximum 3 cable run clips (type CR)
- material: spring steel (type CS70)
- surface treatment: Delta-Tone 9000 (480 hours)



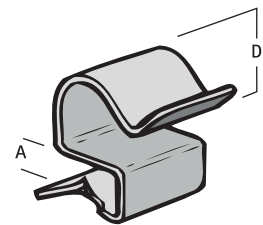
CR



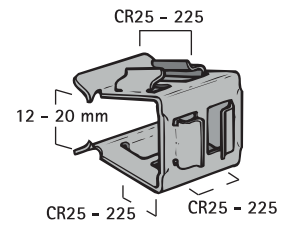
CRA

Part No.	Code	D (mm)	A (mm)	Model	Pack 1
EP52020712	CR86	6.0 - 7.0	8 - 12	-	25
EM52020912	CR87	7.0 - 9.0	8 - 12	-	100
EP52020912	CR87	7.0 - 9.0	8 - 12	-	25
EM52021112	CR810	10.0 - 11.0	8 - 12	-	100
EP52021112	CR810	10.0 - 11.0	8 - 12	-	25
EM52021412	CR812	12.0 - 14.0	8 - 12	-	100
EP52021412	CR812	12.0 - 14.0	8 - 12	-	25
EM52021812	CR815	15.0 - 18.0	8 - 12	-	100
EP52021812	CR815	15.0 - 18.0	8 - 12	-	25
EM52022412	CR819	19.0 - 24.0	8 - 12	-	100
EP52022412	CR819	19.0 - 24.0	8 - 12	-	25
EM52023012	CR825	25.0 - 30.0	8 - 12	-	100
EP52023012	CR825	25.0 - 30.0	8 - 12	-	25
EM52020020	CRA	0.0	12 - 20	Fits CR25 - CR225	100
EP52020020	CRA	0.0	12 - 20	Fits CR25 - CR225	25

For use with static loads only.



CR

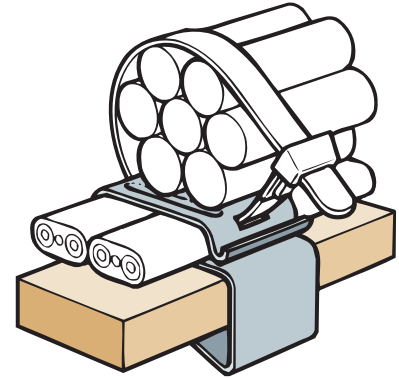


CRA

Britclips® Cable Run / Cable Tie Clip

(J 20 120)

for flange 3 - 25 mm

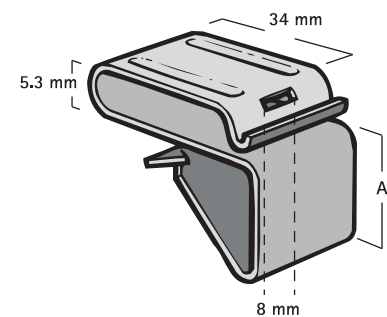


Features and benefits

- for a solid fixing to steel construction without the need for welding or drilling
- suitable for horizontal and vertical flanges
- for quick fixing of round or flat cables parallel to flange
- material: spring steel (type CS70)
- surface treatment: Delta-Tone 9000 (480 hours)

Part No.	Code	A (mm)	Pack 1
EM52323412	CRCT2-12	3 - 12	100
EP52323412	CRCT2-12	3 - 12	25
EM52323425	CRCT12-20	12 - 25	100
EP52323425	CRCT12-20	12 - 25	25

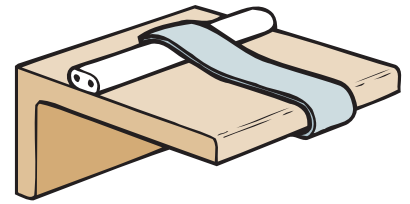
For use with static loads only.



Britclips® Slide-on Cable Clip (CG)

for flange 3 - 11 mm

(J 20 130)

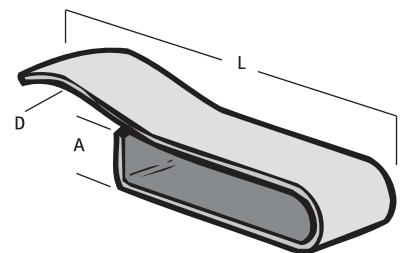


Features and benefits

- for a solid fixing to steel construction without the need for welding or drilling
- for quick fixing of cables
- material: spring steel (type CS70)
- surface treatment: Delta-Tone 9000 (480 hours)

Part No.	Code	D (mm)	A (mm)	L	Pack 1
EM52021609	CG16	3 - 16	3 - 5 / 5 - 7	48 mm	100
EM52022009	CG20	7 - 20	8 - 9 / 10 - 11	41 mm	100

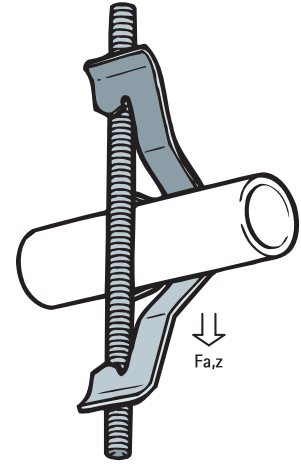
*When flange thickness increases, value of the thickness of the cable decreases.
For use with static loads only.*



Britclips® Support Clip

for threaded rods or flanges 16 - 32 mm

(J 25 105)

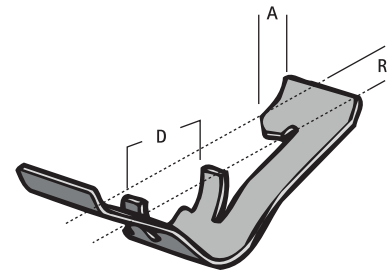


Features and benefits

- for quick fixing to threaded rods or flanges without welding or drilling
- material: spring steel (type CS70)
- surface treatment: Delta-Tone 9000 (480 hours)

Part No.	Code	D (mm)	A (mm)	R	F _{a,z} (N)	Pack 1
EM55922510	SC1000	16 - 20	6 - 9	M6 - M8 / M10	450	100
EP55922510	SC1000	16 - 20	6 - 9	M6 - M8 / M10	450	25
EM55923210	SC1250	25 - 32	6 - 9	M6 - M8 / M10	450	50

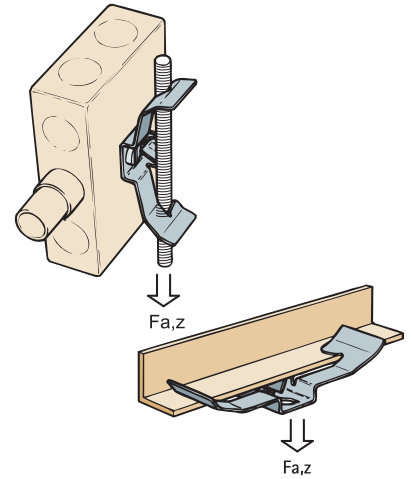
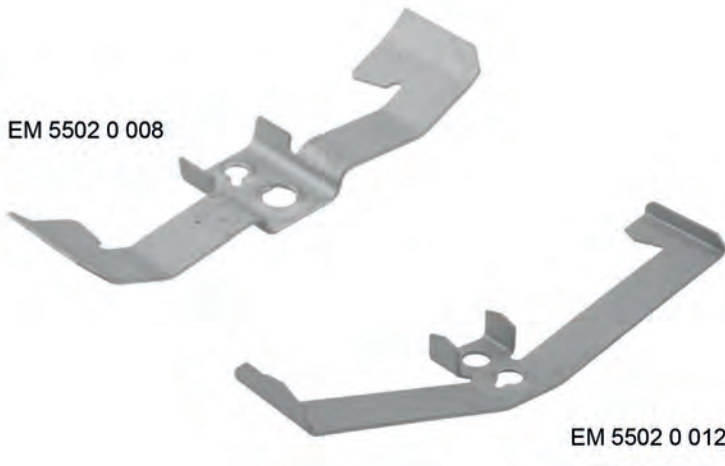
*For use with static loads only.
Load shown is for beam application, for rod application F_{a,z} = 220 N.*



Britclips® Utility Clip

for threaded rods or flanges

(J 25 115)

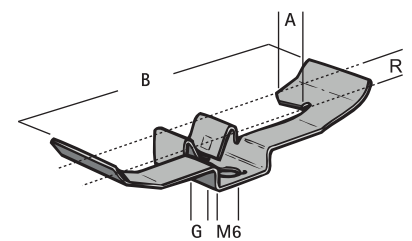


Features and benefits

- for quick fixing to threaded rods or flanges without welding or drilling
- with female thread or hole for universal use
- material: spring steel (type CS70)
- surface treatment: Delta-Tone 9000 (480 hours)

Part No.	Code	A (mm)	R	G	B (mm)	F _{a,z} (N)	Pack 1
EM55020008	UC250	3 - 7	M4 - M8	M4	80	220	100
EM55020012	UC375	9 - 14	M10 - M12	M6	120	220	100

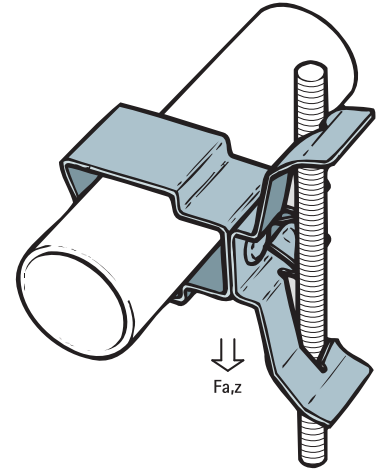
For use with static loads only.



Britclips® Utility Conduit Clip

for threaded rods or flanges 25 mm

(J 25 120)

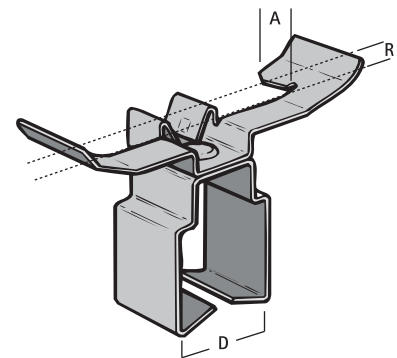


Features and benefits

- for quick fixing to threaded rods or flanges without welding or drilling
- material: spring steel (type CS70)
- conduit clip swivels 360°
- surface treatment: Delta-Tone 9000 (480 hours)

Part No.	Code	D (mm)	A (mm)	R	F _{a,z} (N)	Pack 1
EM55142508	UCC750	25	3 - 7	M4 - M8	110	25
EM55142512	UCC37-75	25	9 - 14	M10 - M12	110	25

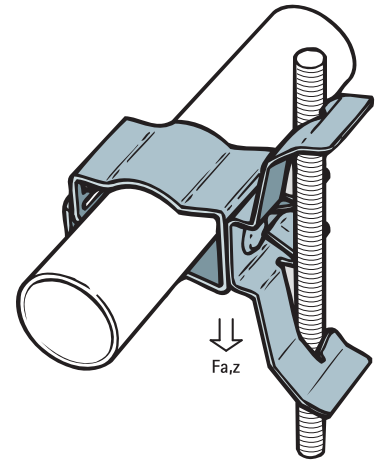
For use with static loads only.



Britclips® Utility Locking Conduit Clip

(J 25 125)

for threaded rods or flanges 20 - 25 mm

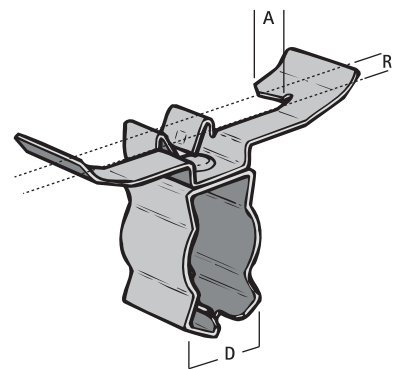


Features and benefits

- for quick fixing to threaded rods or flanges without welding or drilling
- material: spring steel (type CS70)
- conduit clip swivels 360°
- surface treatment: Delta-Tone 9000 (480 hours)
- conduit clip with jaw locking (use pliers to lock)

Part No.	Code	D (mm)	A (mm)	R	F _{a,z} (N)	Pack 1
EM55122408	ULCC50	20 - 22	3 - 7	M4 - M8	220	25
EM55122608	ULCC75	23 - 25	3 - 7	M4 - M8	220	25
EM55122508	ULCC575	20 - 25	3 - 7	M4 - M8	220	25
EM55122412	ULCC37-50	20 - 22	9 - 14	M10 - M12	220	25
EM55122612	ULCC37-75	23 - 25	9 - 14	M10 - M12	220	25
EM55122512	ULCC37-575	20 - 25	9 - 14	M10 - M12	220	25

For use with static loads only.



Britclips® Utility Clip / Light Duty Cable Tray Bracket

for threaded rods or flanges

(J 25 130)

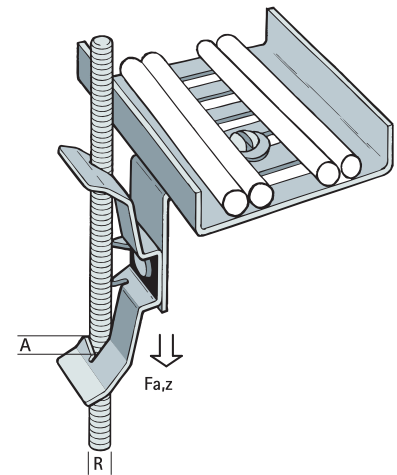


Features and benefits

- for quick fixing to threaded rods or flanges without welding or drilling
- for light duty cable trays
- material: Britclips® Utility Clips made of spring steel (type CS70); Britclips® Light Cable Tray Support Bracket made of steel
- surface treatment: Delta-Tone 9000 (480 hours)

Part No.	Code	A (mm)	R	F _{a,z} (N)	Pack 1
EM55920008	UC250-CTB	3 - 7	M4 - M8	220	50
EM55920012	UC375-CTB	9 - 14	M10 - M12	220	100

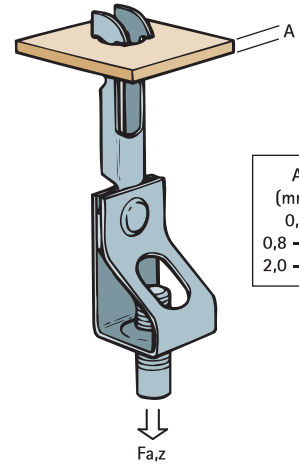
For use with static loads only.



Britclips® Threaded Rod Deck Hanger

for ceilings

(J 30 115)

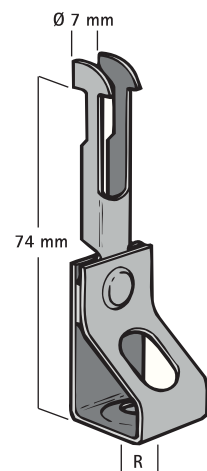


A (mm)	Fa,z (N)
0,7	300
0,8 - 2,0	470
2,0 - 3,0	950

Features and benefits

- for fixing to roofing sheets
- with threaded rod holder (rod height adjustable by screwing)
- material: spring steel (type CS70)
- surface treatment: Delta-Tone 9000 (480 hours)

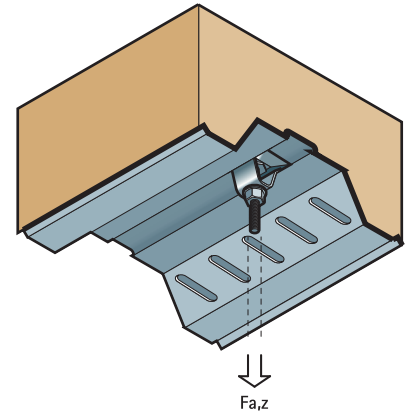
Part No.	Code	R	Pack 1
EM54420800	HDC8MT	M8	100
<i>For use with static loads only. Safe load dependent on thickness of roof sheet.</i>			



Britclips® Multiwedge Deck Hanger

for ceilings

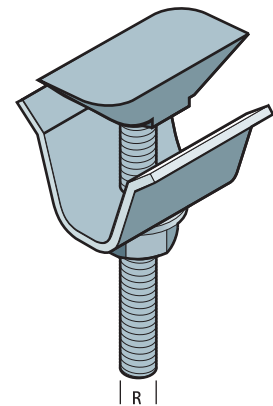
(J 30 125)



Features and benefits

- for fixing to Ward Multideck 60 and Multideck 80
- zinc plated
- for providing threaded rod suspension

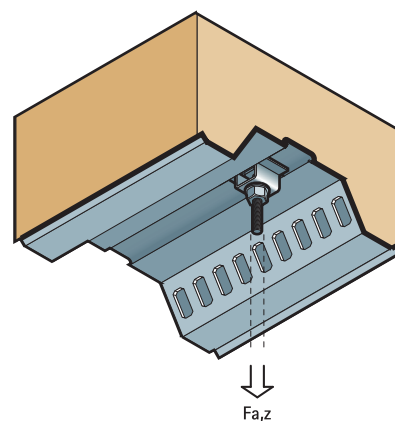
Part No.	Code	R	F _{a,z} (N)	Pack 1
EM58992006	LMW6	M6	1,470	50
EM58992008	LMW8	M8	1,470	50
EM58992010	LMW10	M10	1,470	50
<i>For use with static loads only. Safe load dependent on thickness of roof sheet.</i>				



Britclips® Alphawedge Deck Hanger

for ceilings

(J 30 130)

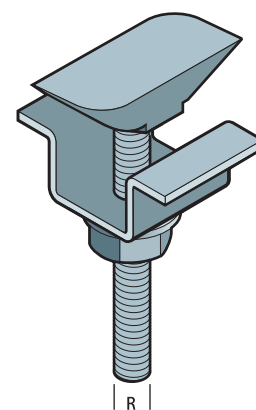


Features and benefits

- for fixing to Richard Lee Ribdeck AL, Ribdeck E60 and Ribdeck 80
- zinc plated
- for providing threaded rod suspension

Part No.	Code	R	F _{a,z} (N)	Pack 1
EM58991008	LAW8	M8	1,000	50
EM58991010	LAW10	M10	1,000	50

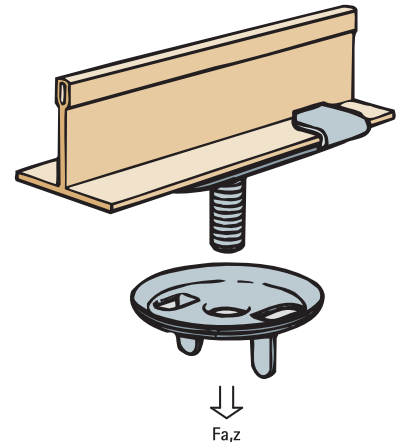
*For use with static loads only.
Safe load dependent on thickness of roof sheet.*



Britclips® T Bar / Twist On Clip (AC)

(J 35 105)

for ceiling grid 15 - 25 mm

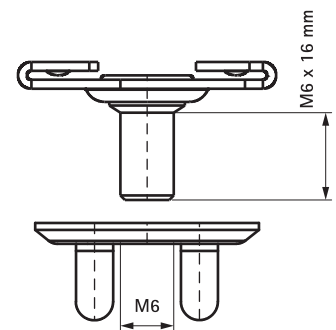


Features and benefits

- twist on fixing
- for fixing to the ceiling grid
- with stud bolt M6 (length see table) for fixing of clamp, conduit junction box, etc.
- spin nut included
- material: spring steel (type CS70)
- surface treatment: Delta-Tone 9000 (480 hours)

Part No.	Code	G	B (mm)	F _{a,z} (N)	Pack 1
EM56521603	AC15	M6 x 16 mm	15	220	100
EM56521604	AC25	M6 x 16 mm	25	220	100
EP56521604	AC25	M6 x 16 mm	25	220	25

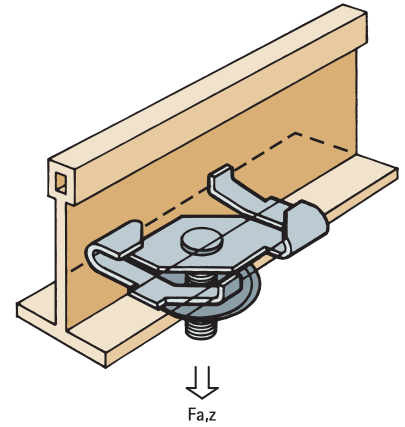
For use with static loads only.



Britclips® T Bar / Twist On Clip (OAC)

(J 35 110)

for ceiling grid

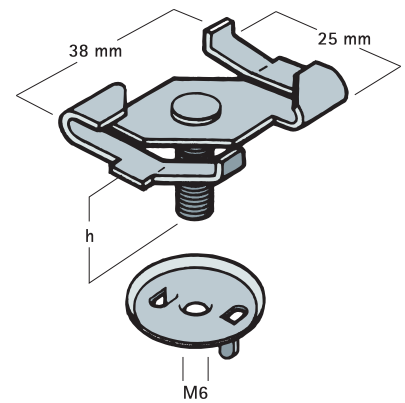


Features and benefits

- twist on fixing
- for fixing to the ceiling grid
- with stud bolt M6 (length see table) for fixing of clamp, conduit junction box, etc.
- spin nut included
- material: spring steel (type CS70)
- surface treatment: Delta-Tone 9000 (480 hours)

Part No.	Code	h (mm)	F _{a,z} (N)	Pack 1
EM56521607	OAC25-16	16	220	100
EM56522507	OAC25-25	25	220	100

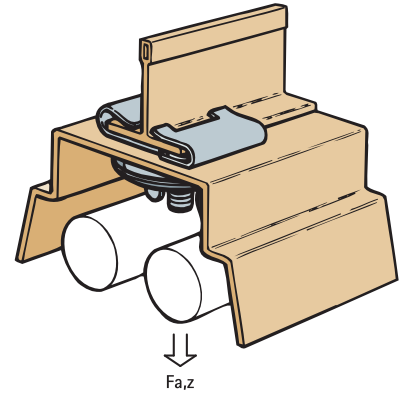
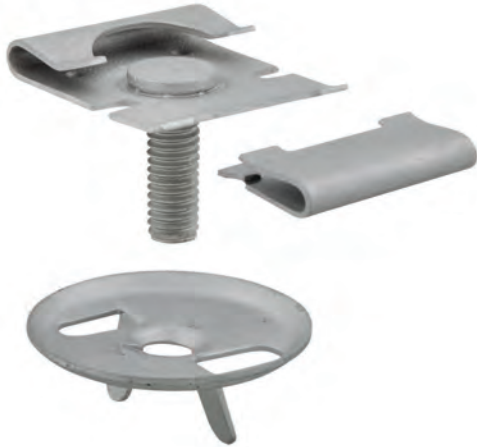
For use with static loads only.



Britclips® T Bar Clip

for ceiling grid

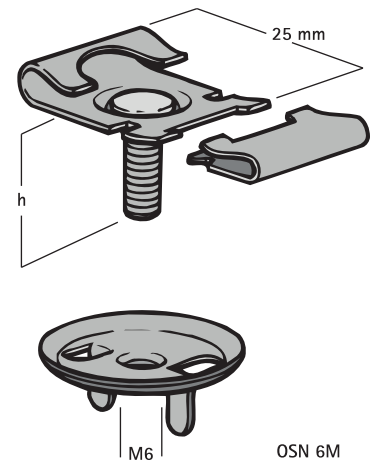
(J 35 115)



Features and benefits

- twist on fixing
- for fixing to the ceiling grid
- with stud bolt M6 (length see table) for fixing of clamp, conduit junction box, etc.
- two-part adjustment, for fixing without damaging the grid
- spin nut included
- material: spring steel (type CS70)
- surface treatment: Delta-Tone 9000 (480 hours)

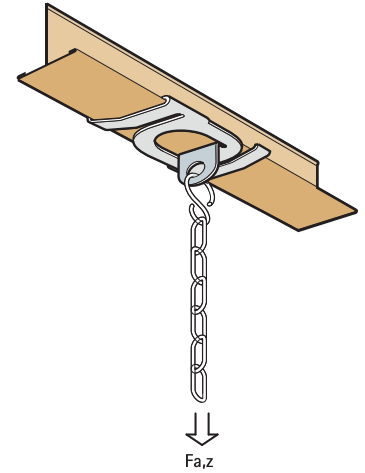
Part No.	Code	h (mm)	F _{a,z} (N)	Pack 1
EM56520627	AC1000	16	450	100
<i>For use with static loads only.</i>				



Britclips® Decor Sign Hanger

for ceiling grid 25 mm

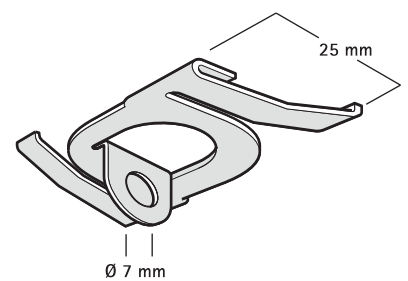
(J 35 125)



Features and benefits

- twist on fixing
- for fixing to the ceiling grid
- with fixing hole (Ø 7.0 mm) to fix S-hook, etc.
- material: spring steel (type CS70)

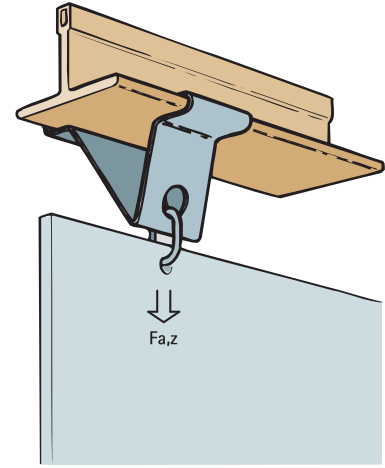
Part No.	Code	F _{a,z} (N)	ST	Pack 1
EM56090025	HSH2	220	epoxy-coated (white)	100
<i>For use with static loads only.</i>				



Britclips® Sign Hanger

for ceiling grid 25 mm

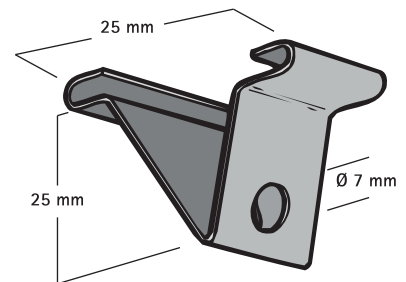
(J 35 130)



Features and benefits

- twist on fixing
- for fixing to the ceiling grid
- with fixing hole (Ø 7.0 mm) to fix S-hook, etc.
- material: spring steel (type CS70)
- surface treatment: Delta-Tone 9000 (480 hours)

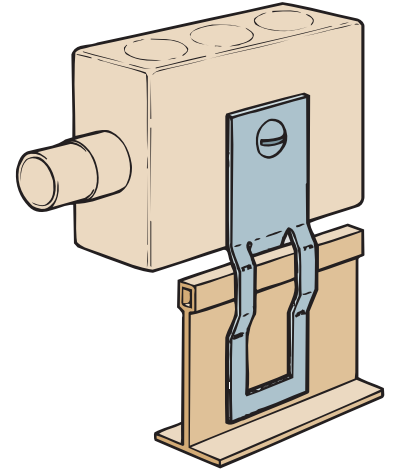
Part No.	Code	F _{a,z} (N)	Pack 1
EM56020725	HSH	180	100
<i>For use with static loads only.</i>			



Britclips® T Bar Straight Bracket

for ceiling grid

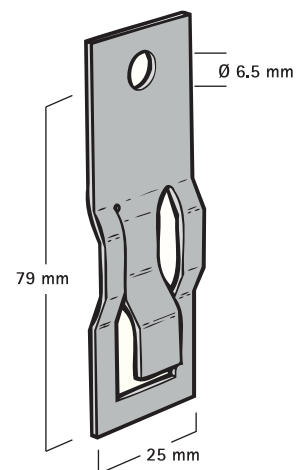
(J 35 135)



Features and benefits

- for fixing to the ceiling grid
- straight, with hole (Ø 6.5 mm) for universal connection
- material: spring steel (type CS70)
- surface treatment: Delta-Tone 9000 (480 hours)

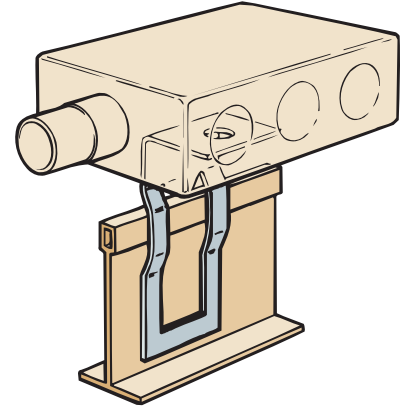
Part No.	Code	Pack 1
EM56020002	ABCS	100
<i>For use with static loads only.</i>		



Britclips® T Bar Angle Bracket

for ceiling grid

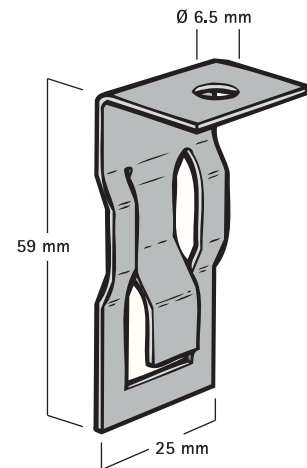
(J 35 140)



Features and benefits

- for fixing to the ceiling grid
- angle bracket 90°
- with drilling hole (Ø 6.5 mm) for a universal connection
- material: spring steel (type CS70)
- surface treatment: Delta-Tone 9000 (480 hours)

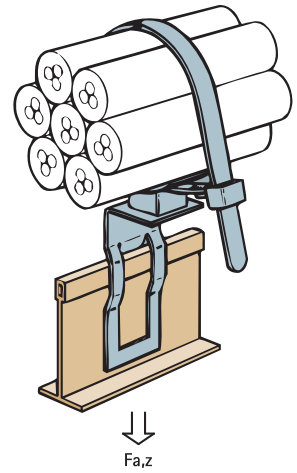
Part No.	Code	Pack 1
EM56020001	ABC	100
<i>For use with static loads only.</i>		



Britclips® T Bar Angle Bracket Cable Tie

for ceiling grid

(J 35 175)

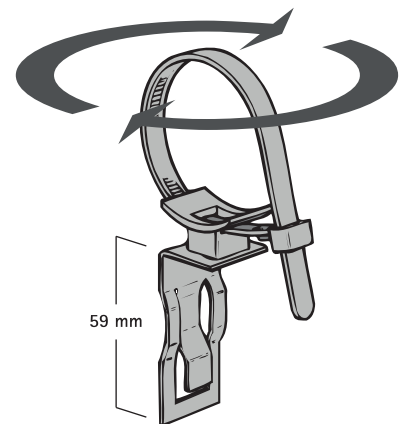


Features and benefits

- for fixing of cables on top of ceiling grid
- with saddle for cable tie attachment (up to width 7.6 mm)
- material: bracket made of spring steel (type CS70); tie-wrap clip of PA (polyamide), black
- surface treatment: Delta-Tone 9000 (480 hours)

Part No.	Code	Model	F _{a,z} (N)	Pack 1
EM56021090	ABCT	No tie	220	100
EM56021096	ABCT-5.5	With tie (L = 160 mm)	220	100

For use with static loads only.



Britclips® T Bar Angle Bracket Cable Tie (Metal)

(J 35 180)

for ceiling grid



Features and benefits

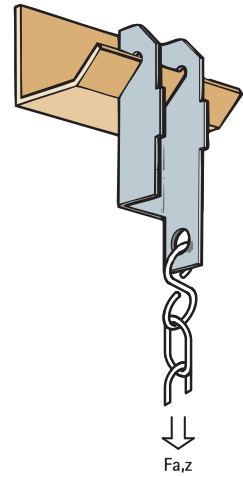
- for fixing of cables on top of ceiling grid
- with metal saddle for cable tie attachment
- material: clip made of spring steel (type CS70); saddle and cable tie made of stainless steel
- clip: surface treatment Delta-Tone 9000 (480 hours)

Part No.	Code	Model	F _{a,z} (N)	Pack 1
56022090	ABCTM	No tie	220	100
56022095	ABCT-10M	With 300 mm cable tie	220	100
56022096	ABCT-5.5M	With 200 mm cable tie	220	100

Britclips® Z Purlin Hanger

for purlins max. 2.5 mm

(J 40 103)

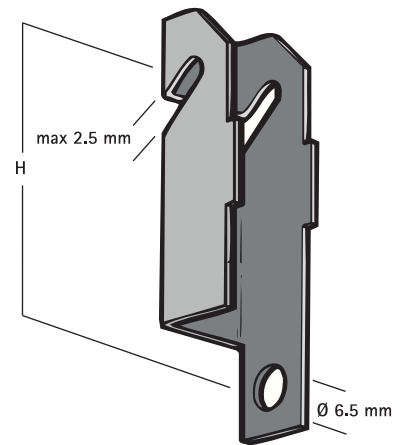


Features and benefits

- hold fast 45°
- for fixing to purlins
- with fixing hole (Ø 6.5 mm) vertical to fix S-hook, bolt/nut, etc.
- material: spring steel (type CS70)
- surface treatment: Delta-Tone 9000 (480 hours)

Part No.	Code	H (mm)	F _{a,z} (N)	Pack 1
EM57020103	ZP1	48	450	100

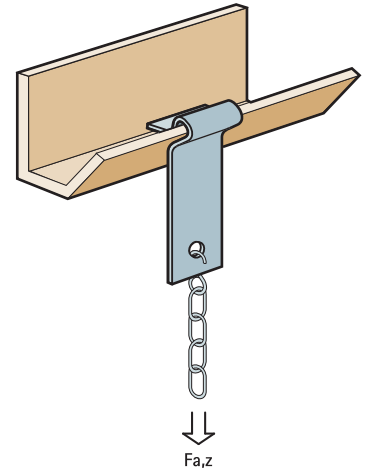
For use with static loads only.



Britclips® Angled Profile Clip

for purlins 1 - 5 mm

(J 40 106)

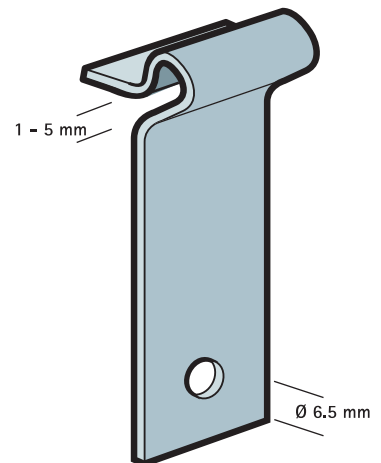


Features and benefits

- hold fast 45°
- for fixing to purlins
- with fixing hole (Ø 6.5 mm) vertical to fix S-hook, bolt/nut, etc.
- material: spring steel (type CS70)
- surface treatment: Delta-Tone 9000 (480 hours)

Part No.	Code	F _{a,z} (N)	Pack 1
EM57020105	ZP3	600	100

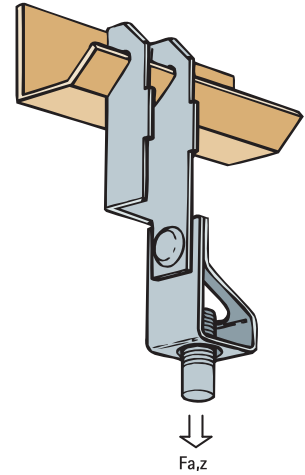
For use with static loads only.



Britclips® Z Purlin Threaded Rod Hanger

(J 40 115)

for purlins max. 2.5 mm

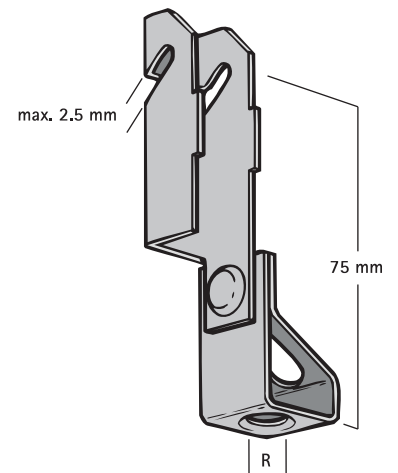


Features and benefits

- hold fast 45°
- for fixing to purlins
- with threaded rod holder (rod height adjustable by screwing)
- material: spring steel (type CS70)
- surface treatment: Delta-Tone 9000 (480 hours)

Part No.	Code	R	F _{a,z} (N)	Pack 1
EM57430603	ZP6MT	M6	450	100
EM57420803	ZP8MT	M8	450	100
EM57421003	ZP10MT	M10	450	100

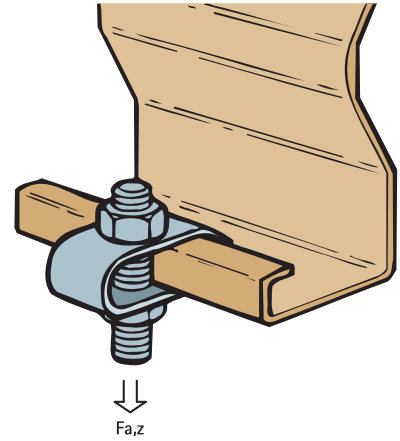
For use with static loads only.



Britclips® Purlin Clamp

for purlins

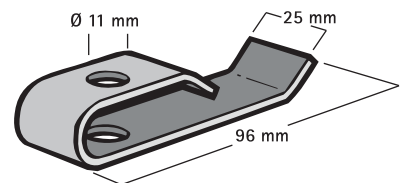
(J 40 130)



Features and benefits

- hold fast 90°
- for fixing to purlins
- material: steel
- pre-galvanized

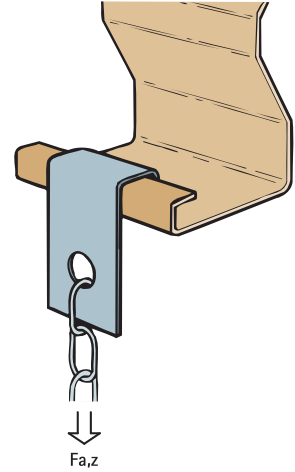
Part No.	Code	$F_{a,z}$ (N)	Pack 1
EM57020025	HPC1	200	100
<i>For use with static loads only.</i>			



Britclips® Purlin Clip

for purlins

(J 40 133)

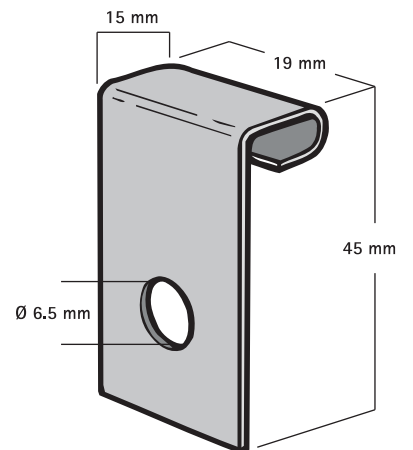


Features and benefits

- hold fast 90°
- for fixing to purlins
- with fixing hole (Ø 6.5 mm) vertical to fix S-hook, bolt/nut, etc.
- material: spring steel (type CS70)
- surface treatment: Delta-Tone 9000 (480 hours)

Part No.	Code	F _{a,z} (N)	Pack 1
EM57020015	HPC2	200	100

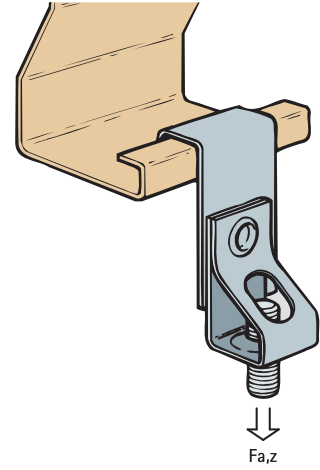
For use with static loads only.



Britclips® Purlin Clip / Threaded Rod Hanger

for purlins

(J 40 139)

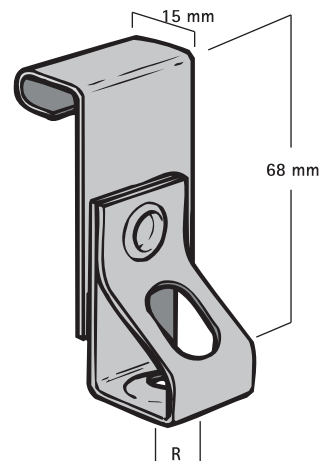


Features and benefits

- hold fast 90°
- for fixing to purlins
- with threaded rod holder (rod height adjustable by screwing)
- material: spring steel (type CS70)
- surface treatment: Delta-Tone 9000 (480 hours)

Part No.	Code	R	F _{a,z} (N)	Pack 1
EM57420615	HPC6MT	M6	200	100
EM57420815	HPC8MT	M8	200	100
EM57421015	HPC10MT	M10	200	100

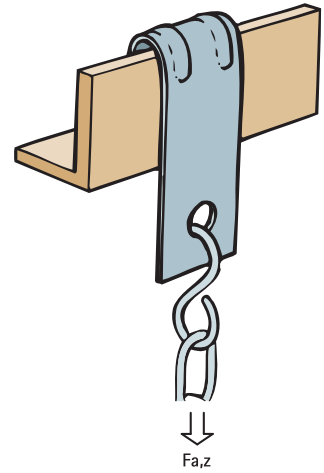
For use with static loads only.



Britclips® Vertical Flange Clip

for vertical flanges 1 - 7 mm

(J 40 151)

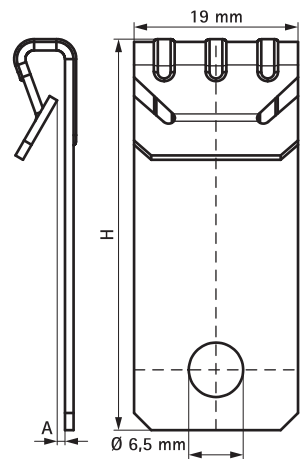


Features and benefits

- for fixing to vertical flanges
- with fixing hole (Ø 6.5 mm) vertical to fix S-hook, bolt/nut, etc.
- material: spring steel (type CS70)
- surface treatment: Delta-Tone 9000 (480 hours)

Part No.	Code	A (mm)	H (mm)	F _{a,z} (N)	Pack 1
EM57020005	VF1	1 - 5	39	720	100
EP57020005	VF1	1 - 5	39	720	25
EM57020007	VF2	5 - 7	40	720	100
EP57020007	VF2	5 - 7	40	720	25

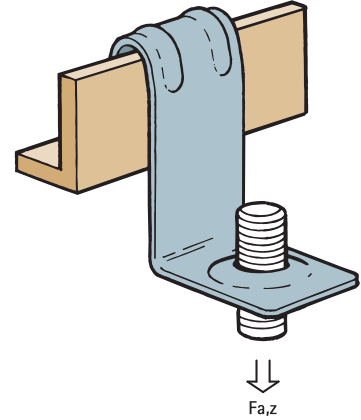
For use with static loads only.



Britclips® Light Duty Flange Clip

for vertical flanges 1 - 5 mm

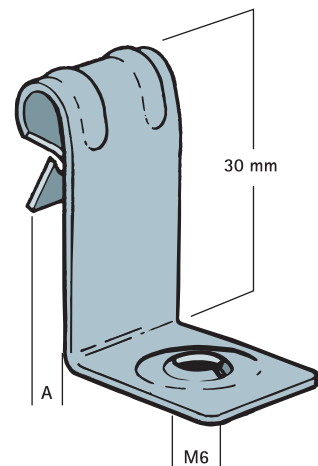
(J 40 154)



Features and benefits

- for fixing to vertical flanges
- with fixing hole (Ø 6.5 mm) horizontal to fix S-hook, bolt/nut, etc.
- material: spring steel (type CS70)
- surface treatment: Delta-Tone 9000 (480 hours)

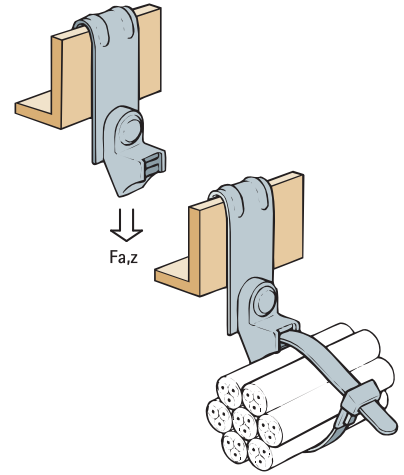
Part No.	Code	A (mm)	F _{a,z} (N)	Pack 1
EM57020605	VF3	1 - 5	150	100
<i>For use with static loads only.</i>				



Britclips® Vertical Flange Cable Saddle

(J 40 157)

for vertical flanges 1 - 7 mm

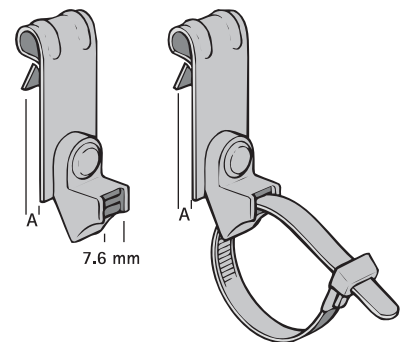


Features and benefits

- for fixing to vertical flanges
- with saddle for cable tie attachment (up to width 7.6 mm)
- material: bracket made of spring steel (type CS70); tie-wrap clip of PA (polyamide), black
- surface treatment: Delta-Tone 9000 (480 hours)

Part No.	Code	A (mm)	Model	F _{a,z} (N)	Pack 1
EM57320005	VFCT1	1 - 5	No tie	220	100

For use with static loads only.



Britclips® Vertical Flange Cable Saddle (Metal)

(J 40 159)

for vertical flanges



Features and benefits

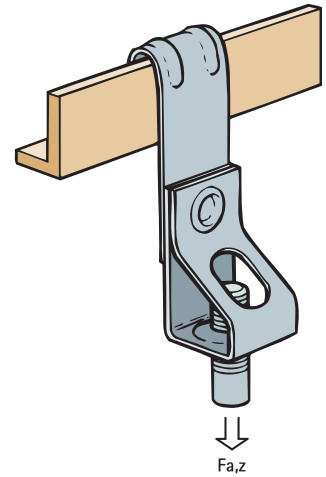
- for fixing to vertical flanges
- with metal saddle for cable tie attachment
- material: clip made of spring steel (type CS70); saddle and cable tie made of stainless steel
- clip: surface treatment Delta-Tone 9000 (480 hours)

Part No.	Code	Model	F _{a,z} (N)	Pack 1
57330005	VFCT1M	No tie	220	100
57331405	VFCT1-5.5M	With 200 mm cable tie	220	100

Britclips® Vertical Flange Threaded Rod Hanger

(J 40 160)

for vertical flanges 1 - 7 mm

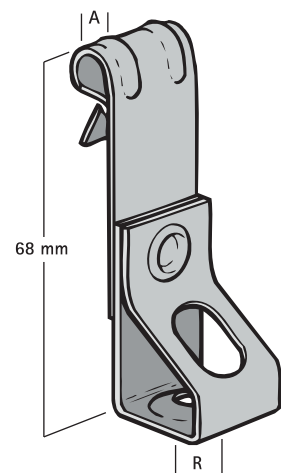


Features and benefits

- for quick and easy fixing to vertical flanges
- with threaded rod holder (rod height adjustable by screwing)
- material: spring steel (type CS70)
- surface treatment: Delta-Tone 9000 (480 hours)

Part No.	Code	A (mm)	R	F _{a,z} (N)	Pack 1
EM57420605	VF1-6MT	1 - 5	M6	650	100
EP57420605	VF1-6MT	1 - 5	M6	650	25
EM57420805	VF1-8MT	1 - 5	M8	700	100
EP57420805	VF1-8MT	1 - 5	M8	700	25
EM57421005	VF1-10MT	1 - 5	M10	720	100
EP57421005	VF1-10MT	1 - 5	M10	720	25
EM57421105	VF1-12P	1 - 5	Ø 11 mm	720	100
EM57420607	VF2-6MT	5 - 7	M6	650	100
EM57420807	VF2-8MT	5 - 7	M8	700	100
EM57421007	VF2-10MT	5 - 7	M10	720	100

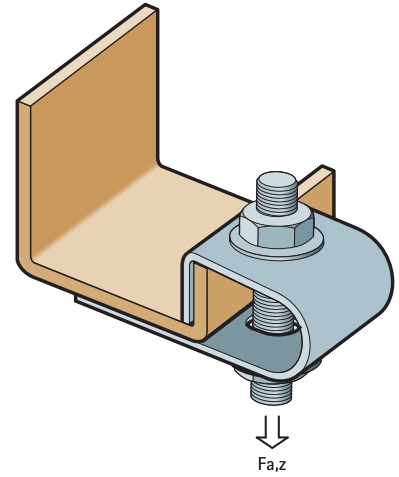
For use with static loads only.



Britclips® Z Purlin Clamp

for vertical flanges

(J 40 166)

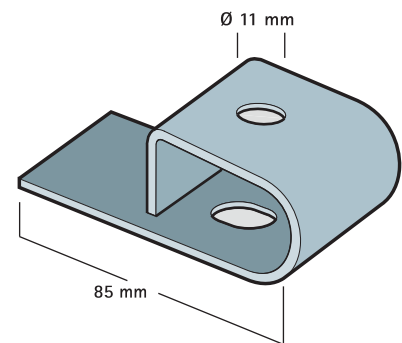


Features and benefits

- for fixing to vertical flanges
- for threaded rod up to M10
- material: steel
- zinc plated

Part No.	Code	$F_{a,z}$ (N)	Pack 1
EM57431185	ZHD2	450	50
EP57431185	ZHD2	450	10

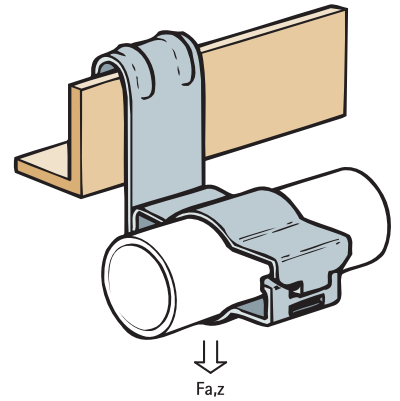
For use with static loads only.



Britclips® Vertical Flange Clip / Locking Conduit Combination

(J 40 178)

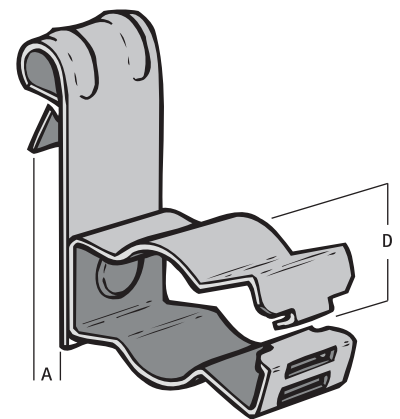
for vertical flanges 1 - 7 mm



Features and benefits

- for fixing to vertical flanges
- suitable for pipe or cable fixing
- conduit clip swivels 360°
- conduit clip with jaw locking (use pliers to lock)
- material: spring steel (type CS70)
- surface treatment: Delta-Tone 9000 (480 hours)

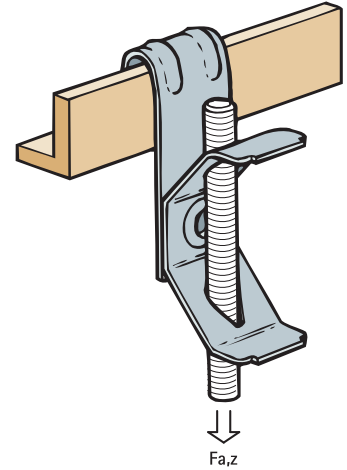
Part No.	Code	D (mm)	A (mm)	F _{a,z} (N)	Pack 1
EM57182505	VFCL1-575	20 - 25	1 - 5	450	100
<i>For use with static loads only.</i>					



Britclips® Vertical Flange Adjustable Rod Hanger

(J 40 187)

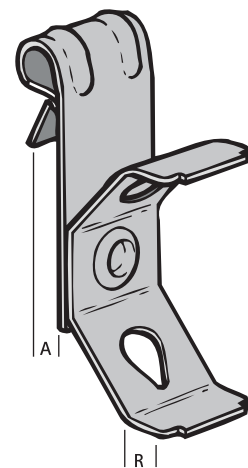
for vertical flanges 1 - 7 mm



Features and benefits

- for fixing to vertical flanges
- with threaded rod clip (rod height adjustable by sliding)
- material: spring steel (type CS70)
- surface treatment: Delta-Tone 9000 (480 hours)

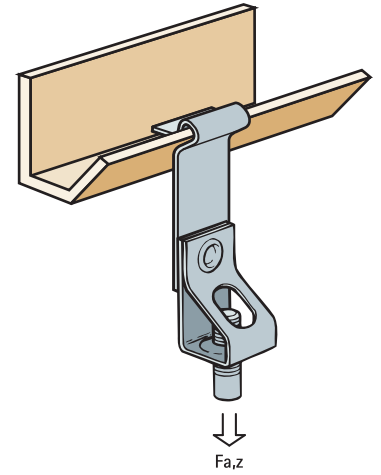
Part No.	Code	A (mm)	R	F _{a,z} (N)	Pack 1
EM57620805	VF1-TRH8	1 - 5	M8	350	100
<i>For use with static loads only.</i>					



Britclips® Angled Profile Clip / Rod Hanger

for purlins 1 - 5 mm

(J 40 193)

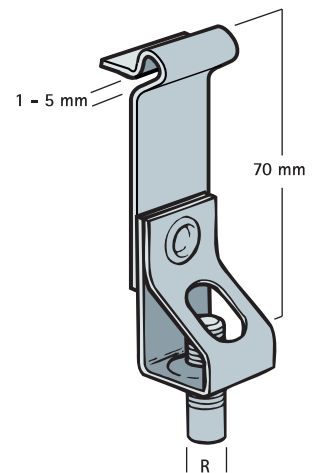


Features and benefits

- hold fast 45°
- for fixing to purlins
- with threaded rod holder (rod height adjustable by screwing)
- material: spring steel (type CS70)
- surface treatment: Delta-Tone 9000 (480 hours)

Part No.	Code	R	F _{a,z} (N)	Pack 1
EM57430805	ZP3-8MT	M8	450	100
EM57431005	ZP3-10MT	M10	450	100

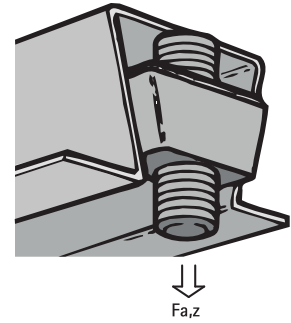
For use with static loads only.



Britclips® Wedge Nut

for composite flooring systems

(J 45 30)

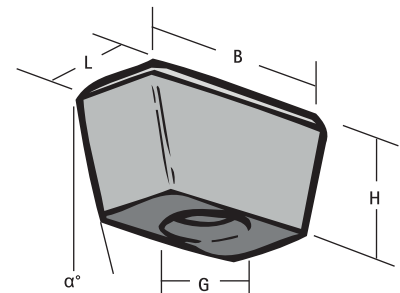


Features and benefits

- for fixing to composite flooring systems
- material: steel
- with thread connector
- zinc plated

Part No.	Type	R	L	B	H	a	F _{a,z}	Pack 1
				(mm)	(mm)	(°)	(N)	
6213006	HW6	M6	12.5 mm	25	13.0	15.0°	1,200	100
6213008	HW8	M8	12.5 mm	25	13.0	15.0°	1,690	100
6213010	HW10	M10	12.5 mm	25	13.0	15.0°	2,050	100
6213106	HW6SR	M6	13.0 mm	21	10.0	11.5°	1,200	100
6213108	HW8SR	M8	13.0 mm	21	10.0	11.5°	1,690	100
6213110	HW10SR	M10	13.0 mm	21	10.0	11.5°	2,250	100
6213208	HMWA8	M8	10.0 mm	19	10.0	23.5°	1,690	100
6213408	HMW8	M8	9.5 mm	19	9.5	14.0°	1,690	100

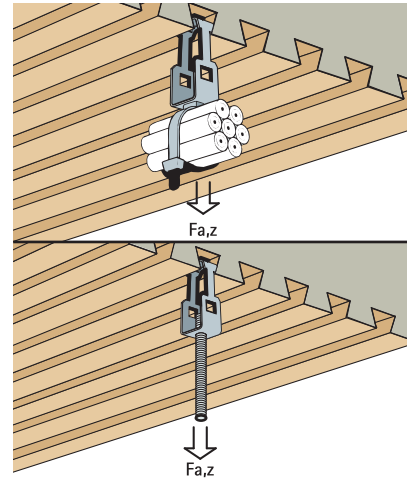
For use with static loads only.



Britclips® Suspension Clip / Single Clip

for composite flooring systems

(J 45 105)

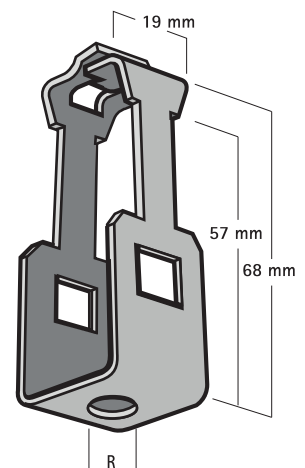


Features and benefits

- for fixing to composite flooring systems
- material: spring steel (type CS70)
- with thread connection or fixing hole for universal fixing
- surface treatment: Delta-Tone 9000 (480 hours)

Part No.	Code	R	F _{a,z} (N)	Pack 1
EM58420619	HOL3-6MT	M6	600	100
EM58420819	HOL3-8MT	M8	600	100
EM58421019	HOL3-10-MT	M10	600	100

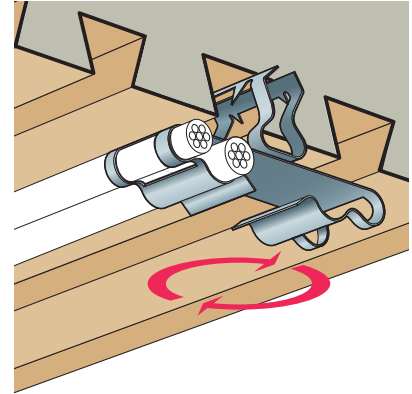
For use with static loads only.



Britclips® Dovetail Cable Hanger (HOL2)

for composite flooring systems

(J 45 115)

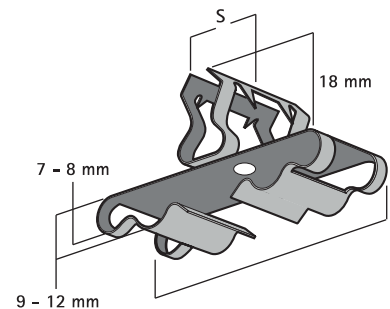


Features and benefits

- for fixing to composite flooring systems
- simple push in fixing
- for fixing up to 4 cables
- rotates through 360°
- material: spring steel (type CS70)
- surface treatment: Delta-Tone 9000 (480 hours)

Part No.	Code	S (mm)	Pack 1
EM58221216	HOL2-1	12 - 16	100
EM58221222	HOL2-2	17 - 22	100

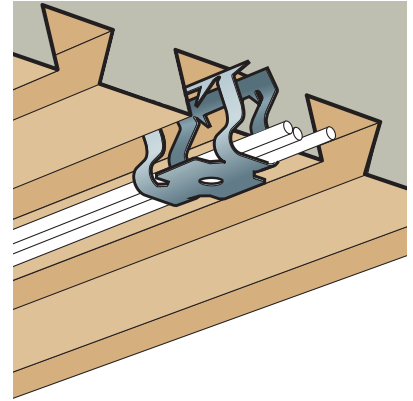
For use with static loads only.



Britclips® Dovetail Cable Hanger (HOL2-xC)

for composite flooring systems

(J 45 120)

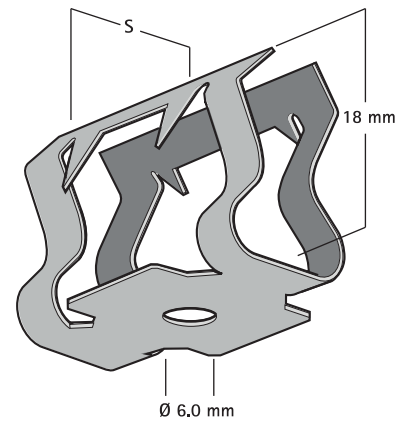


Features and benefits

- for fixing to composite flooring systems
- for cable fixing in roof deck
- material: spring steel (type CS70)
- surface treatment: Delta-Tone 9000 (480 hours)

Part No.	Code	d1 (mm)	S (mm)	Pack 1
EM58220001	HOL2-SC	Ø 6.0	12 - 16	100
EM58220002	HOL2-LC	Ø 6.0	17 - 22	100

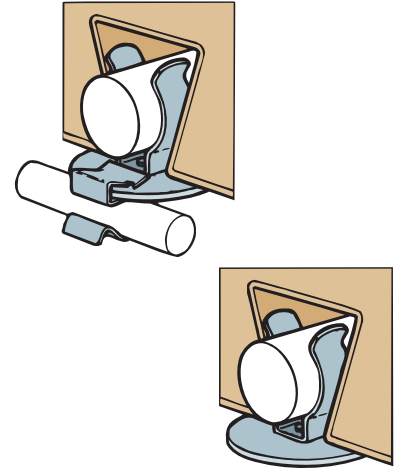
For use with static loads only.



Britclips® Dovetail Cable Hanger (HOL1)

for composite flooring systems 20 mm

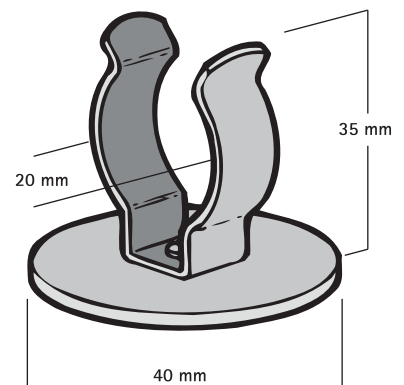
(J 45 125)



Features and benefits

- for fixing to composite flooring systems
- also anchors CR25-CR225 Cable Clips
- with provision for fixing of cable flange clip
- material: spring steel (type CS70)
- surface treatment: Delta-Tone 9000 (480 hours)

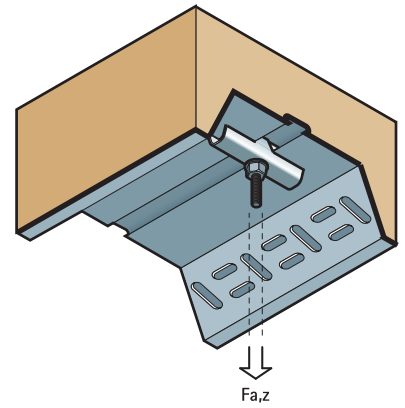
Part No.	Code	Pack 1
EM58220000	HOL1	100
<i>For use with static loads only.</i>		



Britclips® TR60 Deck Hanger

for composite flooring systems

(J 45 130)

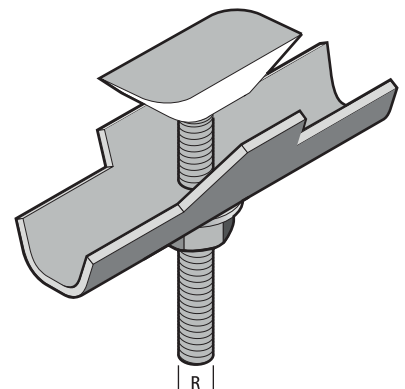


Features and benefits

- for fixing to SNO deck type TR60 and TR80
- zinc plated
- material: steel

Part No.	Code	R	F _{a,z} (N)	Pack 1
EM58993006	LTR6	M6	1,000	50
EM58993010	LTR10	M10	1,000	50

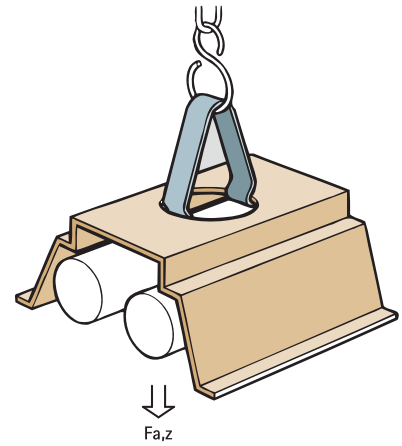
For use with static loads only.



Britclips® Suspension Clip

miscellaneous fixings

(J 50 104)

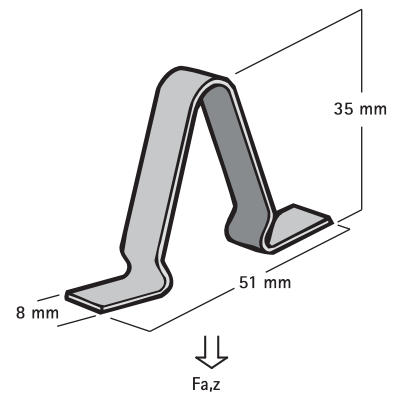


Features and benefits

- general purpose clip to support light fittings
- material: steel
- surface treatment: Delta-Tone 9000 (480 hours)

Part No.	Code	$F_{a,z}$ (N)	Pack 1
EM59030000	HSC1	80	100
EP59030000	HSC1	80	25

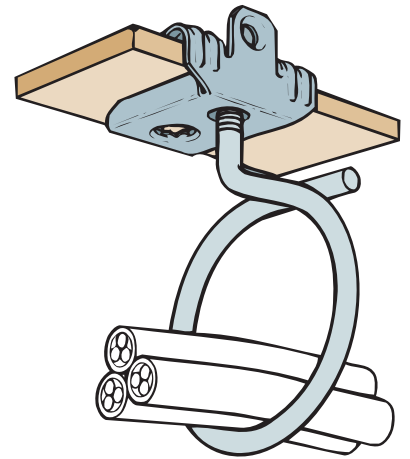
For use with static loads only.



Britclips® Bridle Ring

miscellaneous fixings

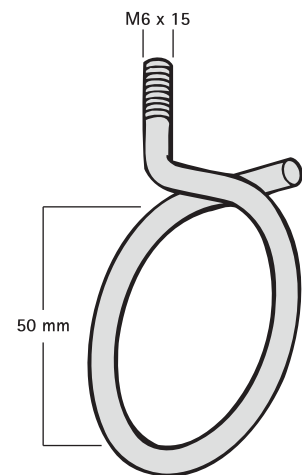
(J 50 106)



Features and benefits

- universally applicable cable(bundle) holder ■ zinc plated with thread M6
- material: steel

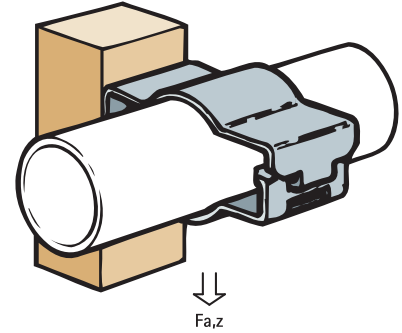
Part No.	Code	Pack 1
EM59030600	BR500	50
<i>For use with static loads only.</i>		



Britclips® Locking Conduit Clip

for all pipes 11 - 24 mm

(J 50 110)

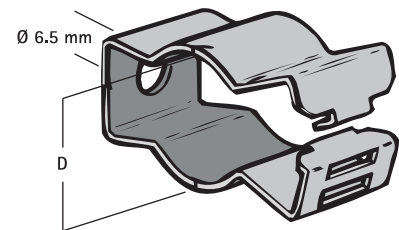


Features and benefits

- universally applicable
- with jaw locking (use pliers to lock)
- material: spring steel (type CS70)
- surface treatment: Delta-Tone 9000 (480 hours)

Part No.	Code	D (mm)	F _{a,z} (N)	Pack 1
EM59121700	HLCC25	11 - 17	250	100
EM59122400	HLCC50	20 - 22	450	100
EM59122500	HLCC575	18 - 24	450	100

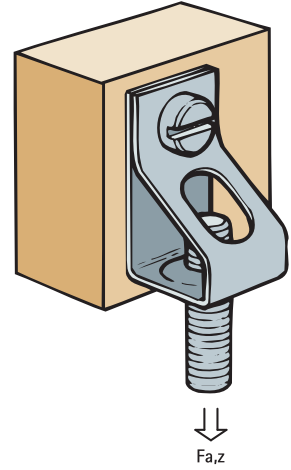
For use with static loads only.



Britclips® Threaded Rod Hanger

miscellaneous fixings

(J 50 112)

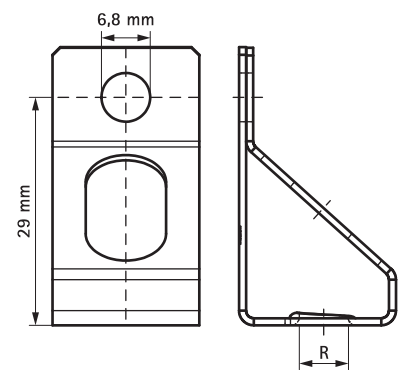


Features and benefits

- stud bolts adjustable
- material: spring steel (type CS70)
- surface treatment: Delta-Tone 9000 (480 hours)

Part No.	Code	R	F _{a,z} (N)	Pack 1
EM59420600	RH6MT	M6	680	100
EM59420800	RH8MT	M8	680	100
EM59421000	RH10MT	M10	680	100

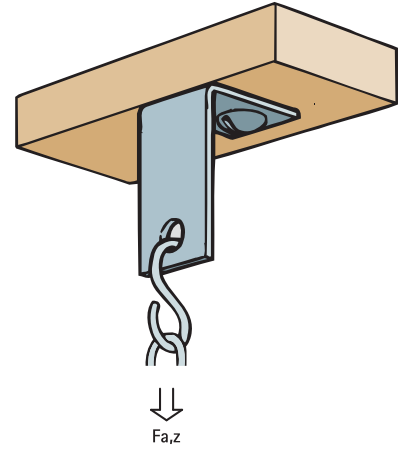
For use with static loads only.



Britclips® Right Angle Bracket

miscellaneous fixings

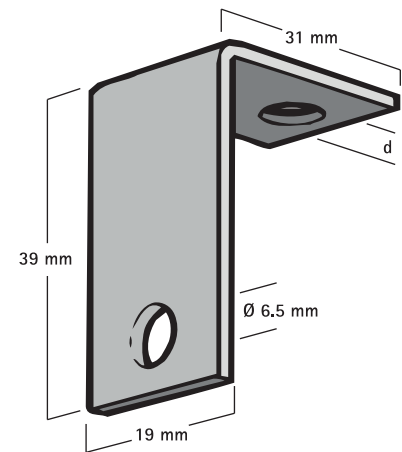
(J 50 114)



Features and benefits

- angle bracket 90°
- with fixing hole (Ø 6.5 mm) vertical to fix S-hook, bolt/nut, etc.
- material: steel
- surface treatment: Delta-Tone 9000 (480 hours)

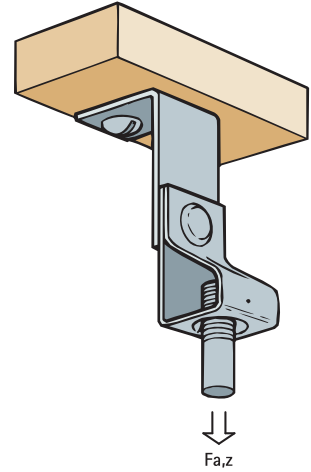
Part No.	Code	d (mm)	F _{a,z} (N)	Pack 1
EM59020000	RHA	Ø 6.5	900	100
<i>For use with static loads only.</i>				



Britclips® Right Angle Threaded Rod Hanger

miscellaneous fixings

(J 50 118)

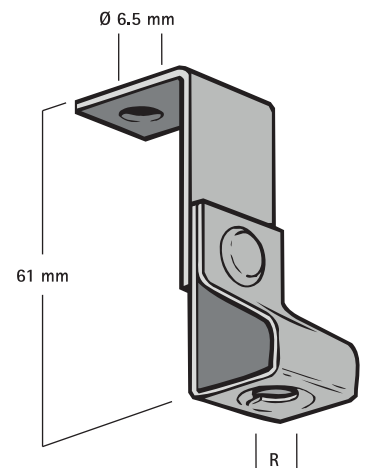


Features and benefits

- angle bracket 90°
- with threaded rod holder (rod height adjustable by screwing)
- material: Britclips® Threaded Rod Hanger made of spring steel (type CS70); Britclips® Right Angle Bracket made of steel
- surface treatment: Delta-Tone 9000 (480 hours)

Part No.	Code	R	F _{a,z} (N)	Pack 1
EM59420601	RHA-6MT	M6	680	100
EM59420801	RHA-8MT	M8	680	100
EM59421001	RHA-10MT	M10	680	100

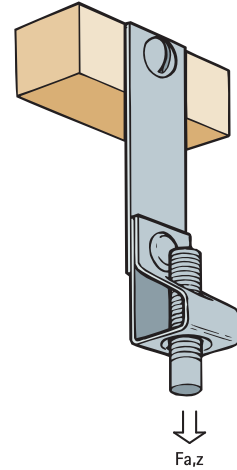
For use with static loads only.



Britclips® Straight Shank Threaded Rod Hanger

miscellaneous fixings

(J 50 120)

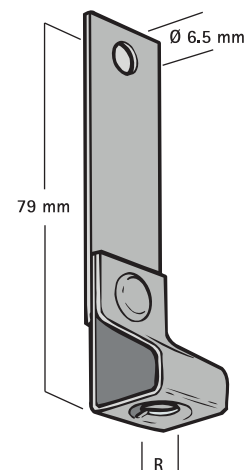


Features and benefits

- straight bracket
- with fixing hole (Ø 6.5 mm) vertical to fix S-hook, bolt/nut, etc.
- with threaded rod holder (rod height adjustable by screwing)
- material: Britclips® Threaded Rod Hanger made of spring steel (type CS70); Britclips® Straight Shank Bracket made of steel
- surface treatment: Delta-Tone 9000 (480 hours)

Part No.	Code	R	F _{a,z} (N)	Pack 1
EM59420803	RHS-8MT	M8	680	100
EM59421003	RHS-10MT	M10	680	100

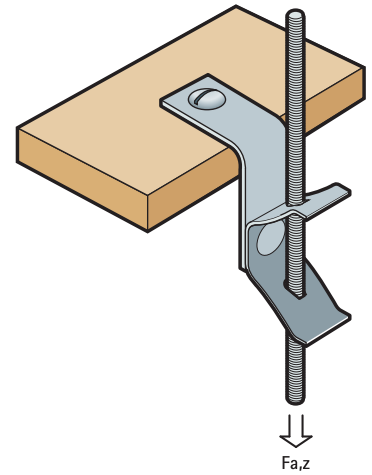
For use with static loads only.



Britclips® Right Angle Threaded Rod Hanger

miscellaneous fixings

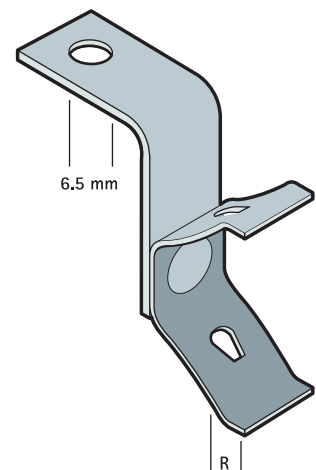
(J 50 122)



Features and benefits

- angle bracket 90°
- with threaded rod clip (rod height adjustable by sliding)
- material: Britclips® Height Adj Threaded Rod Hanger made of spring steel (type CS70); Britclips® Right Angle Bracket made of steel
- surface treatment: Delta-Tone 9000 (480 hours)

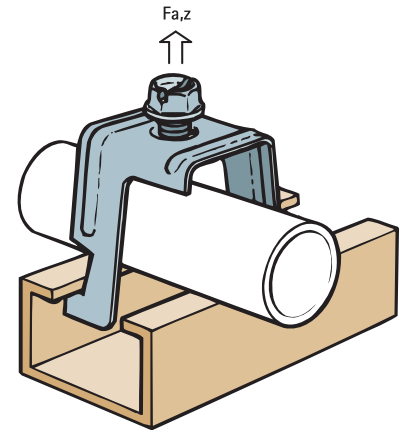
Part No.	Code	R	F _{a,z} (N)	Pack 1
EM59620800	RHA-TRH8	M8	350	100
<i>For use with static loads only.</i>				



Britclips® Metal Framing Conduit Clip

for all pipes \varnothing 16 - 25 mm

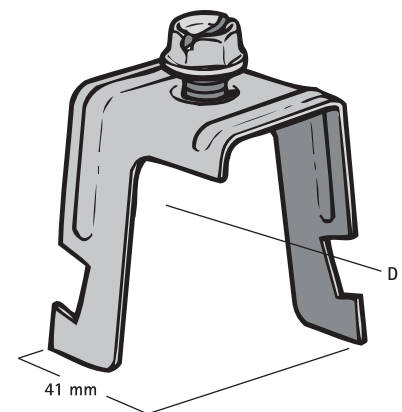
(J 50 128)



Features and benefits

- for engaging in metal Strut and supporting conduit
- surface treatment: Delta-Tone 9000 (480 hours)
- conduit held in place by setting screw
- material: spring steel (type CS70)

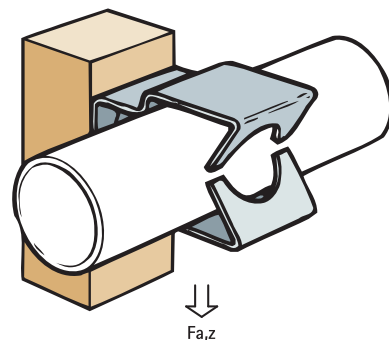
Part No.	Code	D (mm)	For Rail	F _{a,z} (N)	Pack 1
EM57800025	MF75	20 - 25	Strut	450	100
<i>For use with static loads only.</i>					



Britclips® Snap-in Conduit Clip

for all pipes \varnothing 20 - 32 mm

(J 50 130)

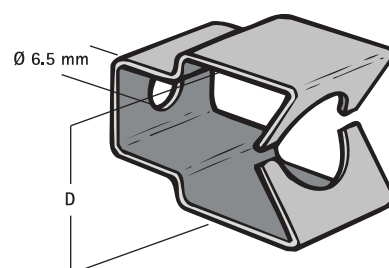


Features and benefits

- universally applicable
- snaps securely in position
- material: spring steel (type CS70)
- surface treatment: Delta-Tone 9000 (480 hours)

Part No.	Code	D (mm)	F _{a,z} (N)	Pack 1
EM59142000	CC500	20	110	100
EM59142500	CC750	25	110	100

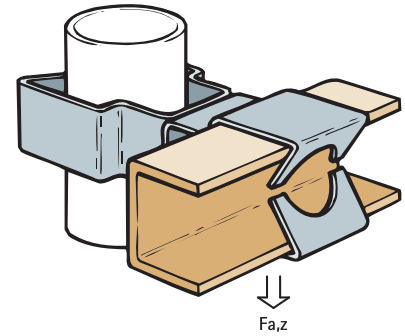
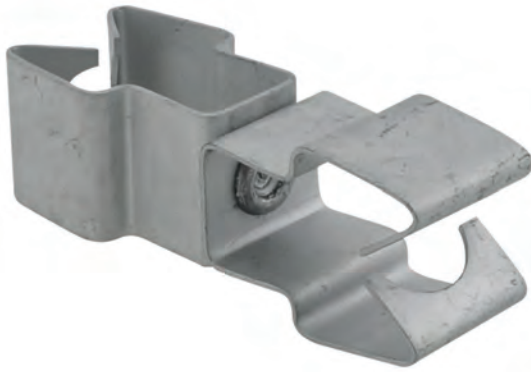
For use with static loads only.



Britclips® Double Run Conduit Mount

for all pipes 25 mm

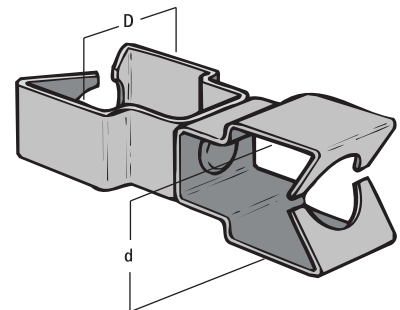
(J 50 132)



Features and benefits

- supports multi directional conduit
- conduit clip swivels 360°
- material: spring steel (type CS70)
- surface treatment: Delta-Tone 9000 (480 hours)

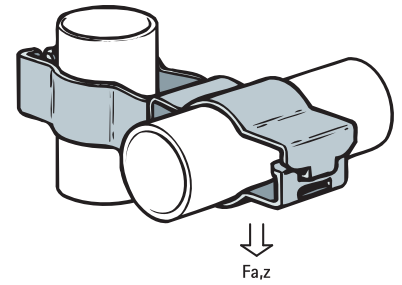
Part No.	Code	D (mm)	d (mm)	F _{a,z} (N)	Pack 1
EM59142525	CC75-75	25	25	110	100
<i>For use with static loads only.</i>					



Britclips® Double Run Locking Conduit Mount

(J 50 134)

for all pipes Ø 12 - 40 mm

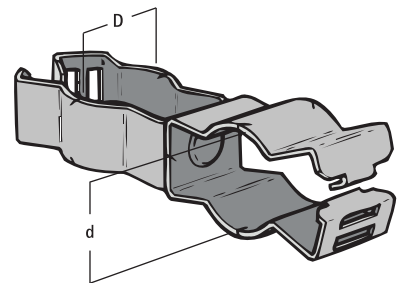


Features and benefits

- conduit clip swivels 360°
- conduit clip with jaw locking (use pliers to lock)
- material: spring steel (type CS70)
- surface treatment: Delta-Tone 9000 (480 hours)

Part No.	Code	D (mm)	d (mm)	F _{a,z} (N)	Pack 1
EM59122525	HLCC57-57	20 - 25	20 - 25	450	50
EM59122632	HLCC75-100	23 - 25	26 - 32	450	50

For use with static loads only.



Britclips® Pipe Clip

for all pipes \varnothing 12 - 25 mm

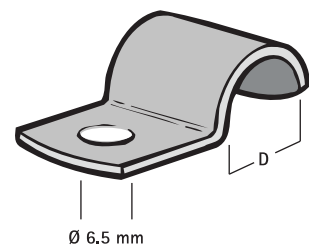
(J 50 136)



Features and benefits

- to secure pipe vertically or horizontally to masonry, concrete or timber surfaces
- surface treatment: Delta-Tone 9000 (480 hours)
- material: steel

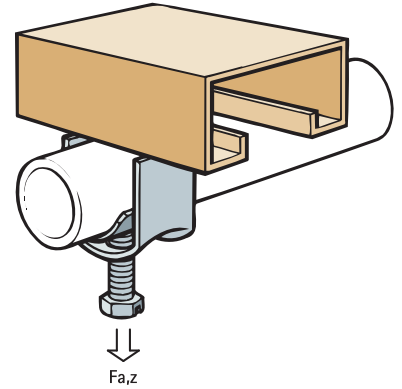
Part No.	Code	D (mm)	Pack 1
EM59161500	P15	15	100
<i>For use with static loads only.</i>			



Britclips® Channel Clamp

for all pipes Ø 16 - 90 mm

(J 50 138)

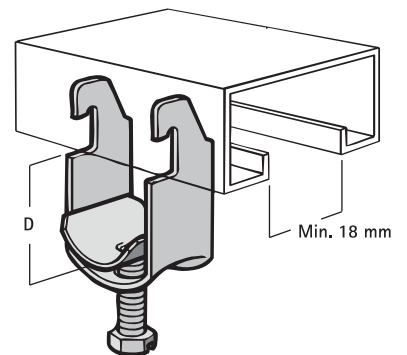


Features and benefits

- engages over channel flange to support cable
- pre-galvanized
- can be tightened to secure

Part No.	Code	D (mm)	F _{a,z} (N)	Pack 1
EM55551822	GCCA22	16 - 22	1,000	50
EM55551828	GCCA28	22 - 28	1,000	50

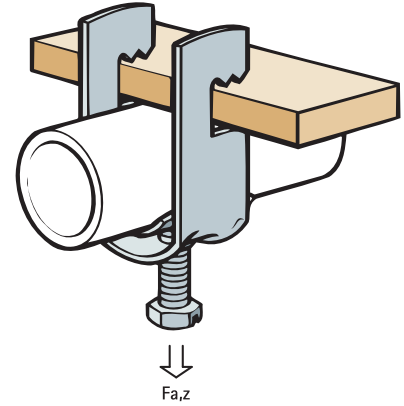
For use with static loads only.



Britclips® Cable / Conduit Clamp

for all pipes Ø 16 - 64 mm

(J 50 140)

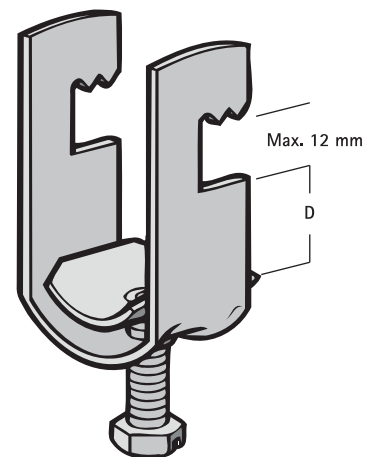


Features and benefits

- engages horizontal flanges
- pre-galvanized
- supports services running at right angles to the supporting flange

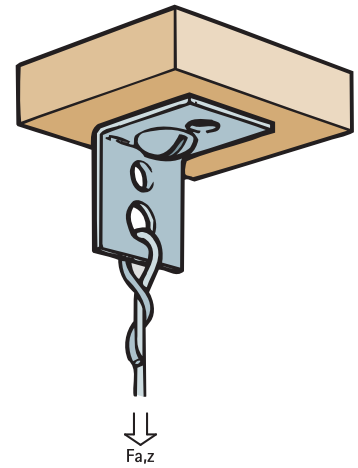
Part No.	Code	D (mm)	F _{a,z} (N)	Pack 1
EM55551222	GCCU22	16 - 22	1,000	50
EM55551228	GCCU28	22 - 28	1,000	50

For use with static loads only.



Britclips® Ceiling Bracket

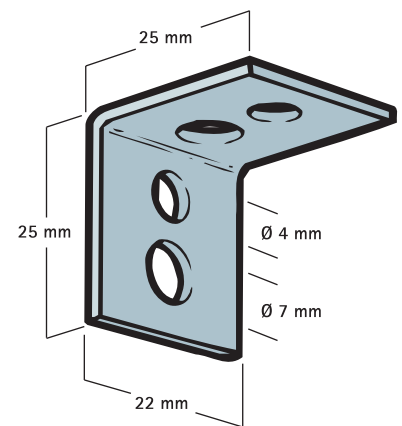
(J 50 162)



Features and benefits

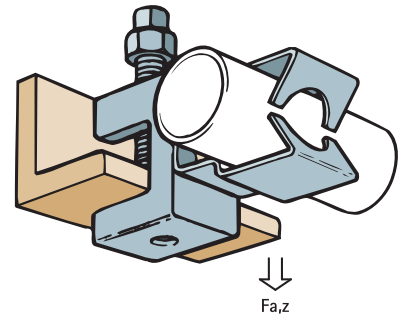
- angle bracket 90°
- material: steel
- bright zinc plated

Part No.	Code	$F_{a,z}$ (N)	Pack 1
EM59020007	HCB1	100	100
<i>For use with static loads only.</i>			



Britclips® Heavy Duty Threaded Clamp

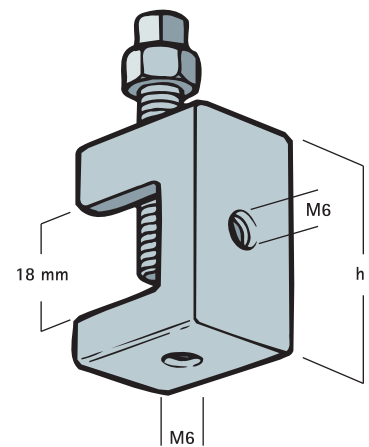
(J 50 164)



Features and benefits

- for a solid fixing to steel construction without the need for welding or drilling
- various fixing possibilities to clamp (horizontal and vertical)
- material: malleable iron
- bright zinc plated

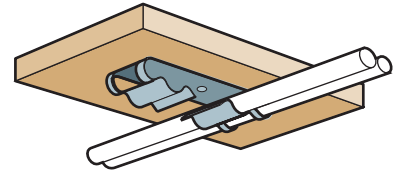
Part No.	Code	h (mm)	F _{a,z} (N)	Pack 1
6003996	HLC	35	590	50
<i>For use with static loads only.</i>				



Britclips® Double Cable Clip

7 - 12 mm

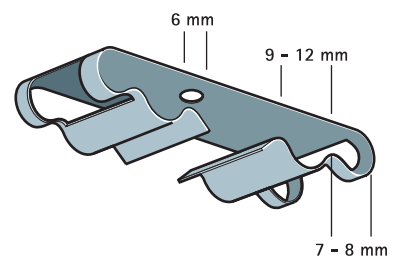
(J 50 170)



Features and benefits

- direct attachment to walls or ceilings
- material: spring steel (type CS70)
- surface treatment: Delta-Tone 9000 (480 hours)

Part No.	Code	D (mm)	d1 (mm)	Pack 1
EM58225000	DCC	7 - 12	Ø 6	100
<i>For use with static loads only.</i>				



BIS Cable Tie (Metal)

(J 50 173)



Features and benefits

- self-locking head design speeds installation and locks into place at any length along tie body
- ideal for high temperature environments (up to 538°C) and fire escape routes
- provides a strong and durable method of cable bundling
- material: stainless steel

Part No.	Model	L	Pack 1
09017020	Stainless steel	200 x 5.0 mm	100
09017030	Stainless steel	300 x 5.0 mm	100

Britclips® RSWB

Rapid Sliding Wall Bracket

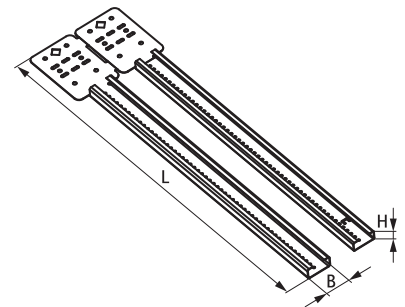
(J 50 175)



Features and benefits

- extendable bracket for faster mounting of electrical boxes, conduit and pipework
 - suitable for use in stud walls and floor joists
 - can be fixed to wood or metal joists
 - quicker and easier to install than traditional methods
 - can be set at multiple depths
 - combine with starQuick® clamps or RapidRail® Hammerfix for even faster fixing
 - Part No. 59491016: shorter version expands from 10 - 16" (25 - 40 cm)
 - Part No. 59491624: longer version expands from 16 - 24" (40 - 60 cm)
- material: steel
 - pre-galvanized

Part No.	Model	L	B	H	Pack 1
59491016	10 - 16" (25 - 40 cm)	323 mm	29.2 (mm)	13.7 (mm)	50
59491624	16 - 24" (40 - 60 cm)	440 mm	29.2	13.7	50



K BIS Fixing Accessories



BIS Top Hat Brackets

BIS Top Hat Bracket 102



BIS Wall Plates

BIS Wall Plate 670 103



BIS Beam Clamps

BIS Beam Clamp Model C 104

BIS Swivel Beam Clamp Model P 105



BIS DobyGrip

BIS DobyGrip Loop 106

BIS DobyGrip Stud 107

BIS DobyGrip Snap End Hook 110

BIS DobyGrip Wire Reel 111

BIS DobyGrip Lock 112

BIS Wire Rope 113

BIS Rope Grip and Eyelet 114

BIS Hook and Eye Rope Tensioner 115

BIS Anchor Ring 116

BIS Top Hat Bracket

(K 14 05)



Features and benefits

- stand-off bracket for cable trays
- adjustable captive nuts
- available in a range of sizes from 50 mm to 300 mm
- zinc plated

Part No.	Code	L	Pack 1
NE01TH000	NE-THB50	50 mm	50
NE02TH000	NE-THB75	75 mm	50
NE03TH000	NE-THB100	100 mm	50
NE04TH000	NE-THB150	150 mm	50
NE05TH000	NE-THB225	225 mm	20
NE06TH000	NE-THB300	300 mm	20

BIS Wall Plate 670

fixing to wall or ceiling

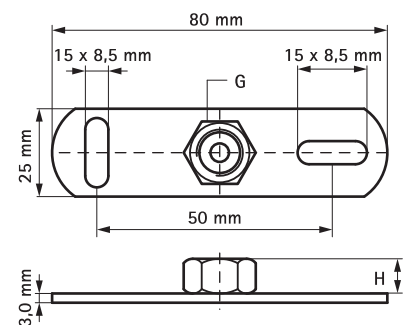
(K 15 05)



Features and benefits

- slots at 90° to each other to simplify fixing
- with resistance welded connection nut
- material: steel
- zinc plated

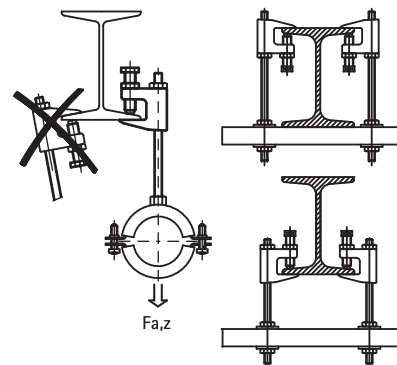
Part No.	G	H (mm)	F _{a,z} (N)	Pack 1	Pack 2
6703006	M6	6	2,500	50	250
6703008	M8	8	2,500	50	250
6703009	M8/10	18	2,500	50	200
6703010	M10	10	2,500	50	200
6703016	M16	13	2,500	50	250



BIS Beam Clamp Model C

for flange up to 28 mm

(K 20 05)



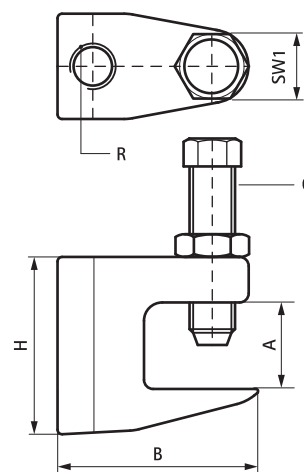
Features and benefits

- for a solid fixing to steel construction without the need for welding or drilling
- according to VdS-regulations an additional safety strap should be used when supporting pipes above DN65
- bolt with hexagon head according to DIN 933 strength class 8.8, screw point with cup ring according to EN ISO 4753 and lock nut
- material: beam clamp made of cast iron; bolt of hardened steel, nut of steel, zinc plated
- see also: BIS Safety Strap (page K 20 06)



Part No.	Code	A (mm)	R	G	B (mm)	H (mm)	SW1 (mm)	F _{a,z} (N)	FM	UL	VdS	Pack 1
6003006	TK10-M6	≤23	M6	M10	50	45	17	2,500	-	-	-	50
6003208	TKN8-M8	≤18	M8	M8	38	35	13	1,200	-	-	VdS	50
6003008	TK10-M8	≤23	M8	M10	50	45	17	2,500	-	-	VdS	50
6003010	TKN10-M10	≤20	M10	M10	44	42	17	2,500	FM	UL	VdS	50
6003310	TK16-M10	≤28	M10	M12	58	58	19	2,500	FM	UL	VdS	25
6003012	TK12-M12	≤26	M12	M10	58	54	17	3,500	FM	UL	VdS	25
6003016	TK16-M16	≤28	M16	M12	58	58	19	5,500	FM	UL	VdS	25
6003905	TKN8-D9	≤18	∅ 9 mm	M8	38	35	13	1,200	-	-	VdS	50
6003908	TK10-D9	≤23	∅ 9 mm	M10	50	45	17	2,500	-	-	VdS	50
6003910	TKN10-D11	≤20	∅ 11 mm	M10	44	42	17	2,500	FM	UL	VdS	50
6003912	TK12-D13	≤26	∅ 13 mm	M10	58	54	17	3,500	FM	UL	VdS	25

Tighten the set screw with hand and apply a further 1/2 turn with a spanner. Tighten counter nut with hand and apply a further 1/8 turn with a spanner. Certificates available on request.



BIS Swivel Beam Clamp Model P

(K 20 30)

for flange up to 17 mm

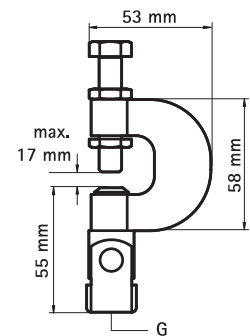
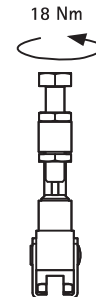
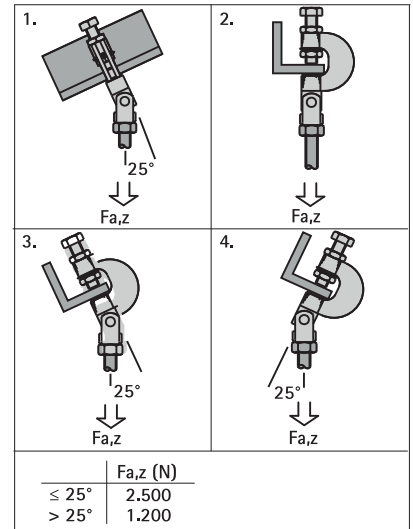


Features and benefits

- multidirectional clamp
- for suspension on pitched flanges without welding or drilling
- up to flange thickness 17 mm
- according to VdS-regulations an additional safety strap should be used when supporting pipes above DN65
- articulation to 45° sideways, 90° forwards
- safety strap is obliged with VdS applications 1 and 4
- material: steel
- zinc plated
- with VdS-approval - certificate number G 4020003

Part No.	Code	A (mm)	G	FM	VdS	Pack 1
6078008	HFLS-M8	≤17	M8	-	VdS	10
6078010	HFLS	≤17	M10	FM	VdS	25

FM and VdS Approval to 25° articulation.



BIS DobyGrip Loop

(K 65 05)

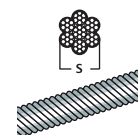


Features and benefits

- for a quick and easy fixing to roof and bearing beams, ridge beams, etc.
- reduces installation time compared to conventional methods
- wire suspension system for high loads
- all wires are supplied including BIS DobyGrip Lock
- material: 7x7 stranded galvanized steel wire rope
- strict quality inspection procedures and independent tests ensure reliability
- see also: BIS DobyGrip Info Page

Part No.	L	s (mm)	F _{a,z} (N)	Pack 1	Pack 2
09481101	1 m	1.0	100	10	500
09481102	2 m	1.0	100	10	250
09481103	3 m	1.0	100	10	250
09481105	5 m	1.0	100	10	100
09481201	1 m	2.0	500	10	250
09481202	2 m	2.0	500	10	100
09481203	3 m	2.0	500	10	100
09481205	5 m	2.0	500	10	100

Loads tested to a 5:1 safety factor. All ratings were determined by independent testing by Northumbria University and witnessed by Lloyds Register.



BIS DobyGrip Stud

(K 65 10)

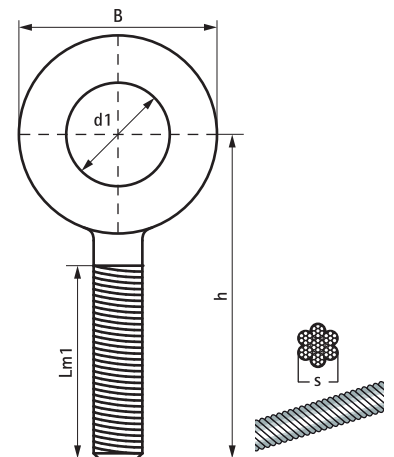


Features and benefits

- for a quick and easy fixing to ceilings by means of a wall plug/drop-in-anchor
- reduces installation time compared to conventional methods
- wire suspension system for high loads
- all wires are supplied including BIS DobyGrip Lock
- material: 7x7 stranded galvanized steel wire rope
- strict quality inspection procedures and independent tests ensure reliability
- see also: BIS DobyGrip Info Page

Part No.	G	L	B (mm)	h (mm)	s (mm)	d1 (mm)	Lm1 (mm)	F _{a,z} (N)	Pack 1	Pack 2
09482261	M6	1 m	20	62	2.0	Ø 11	48	500	10	250
09482262	M6	2 m	20	62	2.0	Ø 11	48	500	10	100
09482265	M6	5 m	20	62	2.0	Ø 11	48	500	10	100
09482281	M8	1 m	25	74	2.0	Ø 13	56	500	10	250
09482282	M8	2 m	25	74	2.0	Ø 13	56	500	10	100
09482283	M8	3 m	25	74	2.0	Ø 13	56	500	10	100
09482285	M8	5 m	25	74	2.0	Ø 13	56	500	10	100

Lloads tested to a 5:1 safety factor. All ratings were determined by independent testing by Northumbria University and witnessed by Lloyds Register.



BIS DobyGrip

Catenary Wire System



Strong, simple and fast

- Ideal for static objects hung in high areas
- Lightweight for easy on site assembly
- No need for additional bracketry
- Strict quality inspection procedures and independent tests ensure reliability

Catenary Wire System for multiple applications



Dobygrip Infopage



Strong, simple and fast

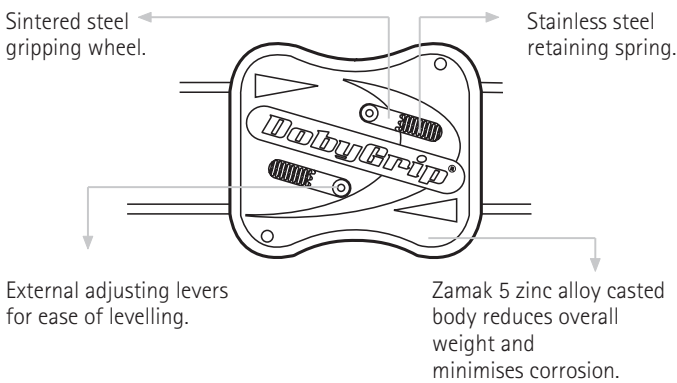
The BIS DobyGrip catenary wire system is the quick and efficient alternative to threaded rods and chains. You can install it up to 6x faster.

The system is ideal for static objects which need to be hung in high areas. For example cable channels, suspended ceilings, air ducts and light fittings.

Suitable for use in multiple applications and markets including HVAC, electrical, displays, lighting, signage and vineyards.

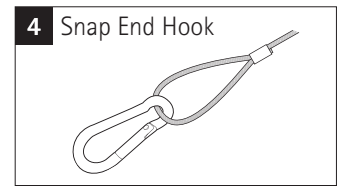
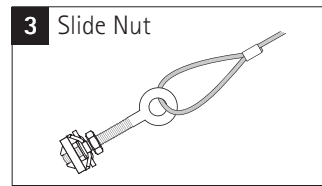
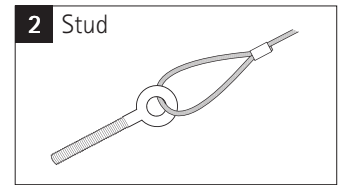
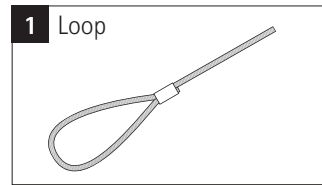
Easy to use

1. Pass cable tail through BIS DobyGrip in the direction of the arrow on casing.
2. Pass cable tail through suspension point of supported item, pull cable back through BIS DobyGrip. Height can be easily adjusted by using external cable release, infinitely adjustable.



Lightweight

Assembly and handling on site are much simpler. Reduces the need for working at height with unwieldy fixing materials.



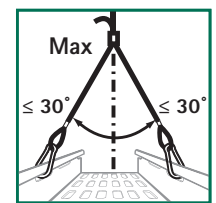
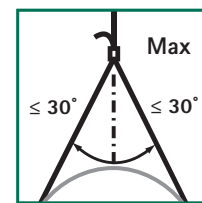
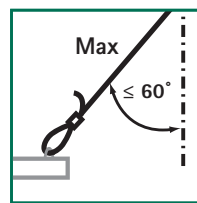
4 versions for 1001 purposes

The various versions make the system very flexible and widely applicable. Every type of BIS DobyGrip cable is available in various lengths. Reels of wire can also be supplied.

High safe working loads

The BIS DobyGrip cable is available in 2 different thicknesses and is suitable for both vertical and diagonal loads. Suspension with the BIS DobyGrip system is not only strong, but also reduces vibration.

s	Max. Fa,z (N)				
	0°	15°	30°	45°	60°
s = 1 mm	100	90	80	70	50
s = 2 mm	500	450	400	350	250



BIS DobyGrip Snap End Hook

(K 65 20)

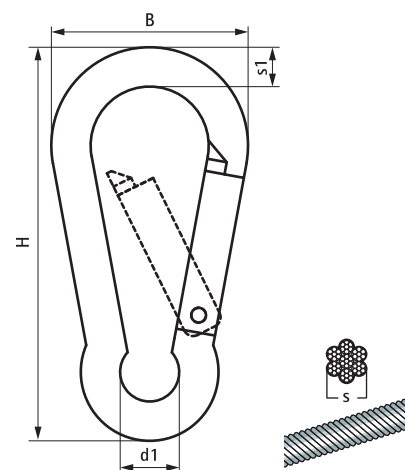


Features and benefits

- for a quick and easy fixing to hooks and suspension eyes
- reduces installation time compared to conventional methods
- wire suspension system for high loads
- all wires are supplied including BIS DobyGrip Lock
- material: 7x7 stranded galvanized steel wire rope
- strict quality inspection procedures and independent tests ensure reliability
- see also: BIS DobyGrip Info Page

Part No.	L	B	H	s	s1	d1	F _{a,z}	Pack 1	Pack 2
		(mm)	(mm)	(mm)	(mm)	(mm)	(N)		
09486201	1 m	30	60	2.0	6.0	9.0	500	10	250
09486202	2 m	30	60	2.0	6.0	9.0	500	10	100
09486203	3 m	30	60	2.0	6.0	9.0	500	10	100

Loads tested to a 5:1 safety factor. All ratings were determined by independent testing by Northumbria University and witnessed by Lloyds Register.



BIS DobyGrip Wire Reel

(K 65 25)



Features and benefits

- for a quick and easy fixing to various suspension points
- wire lengths can be self-determined
- wire suspension system for high loads
- material: 7x7 stranded galvanized steel wire rope
- strict quality inspection procedures and independent tests ensure reliability
- see also: BIS DobyGrip Info Page

Part No.	L	s (mm)	F _{a,z} (N)	Pack 1	Pack 2
09489115	150 m	1.0	100	1	8
09489215	150 m	2.0	500	1	2

Loads tested to a 5:1 safety factor. All ratings were determined by independent testing by Northumbria University and witnessed by Lloyds Register.

BIS DobyGrip Lock

(K 65 30)



Features and benefits

- reduces installation time compared to conventional methods
- wire suspension system for high loads
- Part No. 09489001: for use in combination with 1 mm diameter BIS DobyGrip wires
- Part No. 09489000: for universal use in combination with 1 mm as well as 2 mm diameter BIS DobyGrip wires
- Part No. 09489001: suitable for a maximum load of 10kg (1 mm wire diameter) with a 5:1 safety factor
- Part No. 09489000: suitable for a maximum load of 10kg (1 mm wire diameter) or 50kg (2 mm wire diameter) with a 5:1 safety factor
- simple height adjustment using external cable release, infinitely adjustable
- material: body of Zamak 5 zinc alloy; retaining spring of stainless steel (AISI 304); gripping wheel of sintered steel
- strict quality inspection procedures and independent tests ensure reliability
- see also: BIS DobyGrip Info Page

Part No.	L	B (mm)	F _{a,z} (N)	Pack 1	Pack 2	For (DobyGrip)
09489001	20 mm	16.5	100	50	1,000	1 mm
09489000	30 mm	25.0	500	20	500	2 mm

Loads tested to a 5:1 safety factor. All ratings were determined by independent testing by Northumbria University and witnessed by Lloyds Register.

BIS Wire Rope

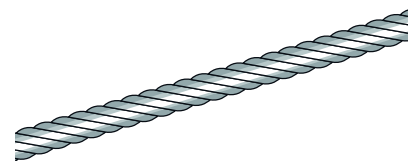
(K 65 35)



Features and benefits

- material: mild steel
- pre-galvanized
- packed per reel

Part No.	Code	L	s (mm)	F _{a,z} (N)	Pack 1
6390303	CAT3-30	30 m	3.0	1,900	1
6390305	CAT3-50	50 m	3.0	1,900	1
6390310	CAT3-100	100 m	3.0	1,900	1



BIS Rope Grip and Eyelet

(K 65 40)



639 1 X12

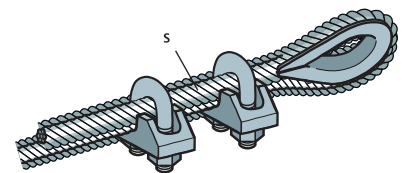


639 2 XXX

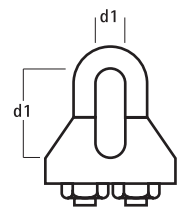
Features and benefits

- material: mild steel
- pre-galvanized

Part No.	Code	s (mm)	d1 (mm)	Pack 1
6392308	CAT3-RG	3.0	8.0 x 5.5	20



639 1 X12



639 2 XXX

BIS Hook and Eye Rope Tensioner

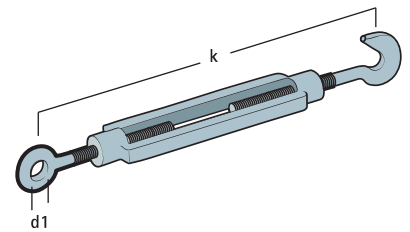
(K 65 45)



Features and benefits

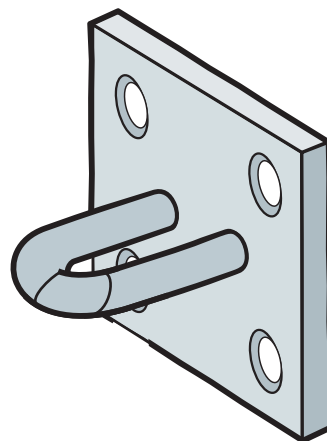
- material: mild steel
- pre-galvanized

Part No.	Code	d1 (mm)	k (mm)	Pack 1
6393210	CAT6-ST	10	175 - 255	20



BIS Anchor Ring

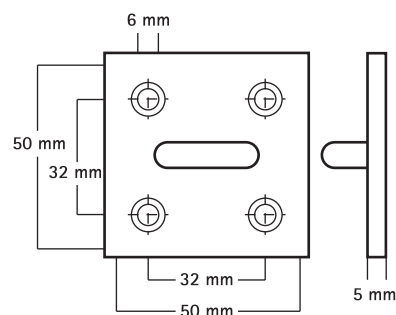
(K 65 50)



Features and benefits

- material: mild steel
- pre-galvanized

Part No.	Code	B (mm)	H (mm)	s (mm)	Pack 1
6393000	CAT50-RP	50	50	5.0	10



L BIS Fastenings



BIS Anchors
BIS HK

118

BIS HK

fixing to concrete, brick

(L 05 60)



Features and benefits

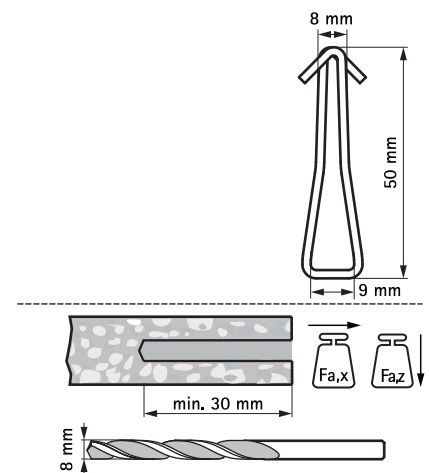
- for fixing of steel wire, suspension band or chain in concrete and solid stone
- for suspension of static loads such as air ducts, lowered ceilings, etc. to concrete
- also suitable for outside use
- drill 8 mm hole and hammer in HK wire anchor
- HK: for cables / BIS DobyGrip
- tested by CSTB
 - test report EPOD/06-05 (HK)
- material: stainless steel 1.4401 (AISI 316)
- better fire resistance than plastic plugs



HK: Report EPOD/-6-05

Part No.	Model	F _{a,z} (N)	F _{a,x} (N)	CSTB	Pack 1	Pack 2
61073134	HK, without cap	800	800	CSTB	200	1,200
61073224	HK, with cap	800	800	CSTB	100	600

Max. allowed load (Fa) in concrete (350 kg/m³), drill hole Ø 8 mm.
Safety margin 1:4.



Complementary

- 106 BIS DobyGrip Loop
- 110 BIS DobyGrip Snap End Hook
- 111 BIS DobyGrip Wire Reel

Index

Index	119
Part number Index (000 - EM5)	120
Part number Index (EM5 - 999)	121
Type Index	122
Alphabetical Index (Aaa - Lig)	123
Alphabetical Index (Loc - Zzz)	124
	125

Part number Index (000 - EM5)

09017020	98	6003008	104	EM50142020	17	EM51122620	28	EM53920017	32
09017030	98	6003010	104	EM50142030	17	EM51123207	28	EM54420800	47
09481101	106	6003012	104	EM50142509	17	EM51132007	26	EM55020008	43
09481102	106	6003016	104	EM50142516	17	EM51132013	26	EM55020012	43
09481103	106	6003208	104	EM50142520	17	EM51132020	26	EM55122408	45
09481105	106	6003310	104	EM50142530	17	EM51132507	26	EM55122412	45
09481201	106	6003905	104	EM50162009	16	EM51132513	26	EM55122508	45
09481202	106	6003908	104	EM50162016	16	EM51132520	26	EM55122512	45
09481203	106	6003910	104	EM50162020	16	EM51142513	27	EM55122608	45
09481205	106	6003912	104	EM50162030	16	EM51142520	27	EM55122612	45
09482261	107	6003996	96	EM50162509	16	EM51171213	29	EM55142508	44
09482262	107	6078008	105	EM50162516	16	EM51199013	23	EM55142512	44
09482265	107	6078010	105	EM50162520	16	EM51420607	24	EM55551222	94
09482281	107	61073134	118	EM50162530	16	EM51420613	24	EM55551228	94
09482282	107	61073224	118	EM50320009	14	EM51420620	24	EM55551822	93
09482283	107	6213006	74	EM50320016	14	EM51520607	25	EM55551828	93
09482285	107	6213008	74	EM50320020	14	EM51520613	25	EM55920008	46
09486201	110	6213010	74	EM50320030	14	EM51520620	25	EM55920012	46
09486202	110	6213106	74	EM50320109	11	EM52020020	39	EM55922510	42
09486203	110	6213108	74	EM50320116	11	EM52020604	38	EM55923210	42
09489000	112	6213110	74	EM50320120	11	EM52020607	38	EM56020001	56
09489001	112	6213208	74	EM50320204	11	EM52020704	38	EM56020002	55
09489115	111	6213408	74	EM50320209	11	EM52020904	38	EM56020725	54
09489215	111	6390303	113	EM50320216	11	EM52020907	38	EM56021090	57
50321009	15	6390305	113	EM50327504	21	EM52020912	39	EM56021096	57
50321016	15	6390310	113	EM50330009	12	EM52021104	38	EM56090025	53
50321020	15	6392308	114	EM50330016	12	EM52021107	38	EM56520627	52
50321030	15	6393000	116	EM50330020	12	EM52021112	39	EM56521603	50
50321109	15	6393210	115	EM50330030	12	EM52021404	38	EM56521604	50
50321116	15	6703006	103	EM50330109	10	EM52021407	38	EM56521607	51
50321120	15	6703008	103	EM50330116	10	EM52021412	39	EM56522507	51
50321204	15	6703009	103	EM50330204	10	EM52021609	41	EM57020005	65
50321209	15	6703010	103	EM50330209	10	EM52021804	38	EM57020007	65
50321216	15	6703016	103	EM50330216	10	EM52021807	38	EM57020015	63
50321220	15	EM50020004	9	EM50420609	22	EM52021812	39	EM57020025	62
50331009	13	EM50020009	9	EM50420616	22	EM52022009	41	EM57020103	59
50331016	13	EM50020016	9	EM50420804	22	EM52022404	38	EM57020105	60
50331020	13	EM50020020	9	EM50420809	22	EM52022407	38	EM57020605	66
50331030	13	EM50020030	9	EM50420816	22	EM52022412	39	EM57182505	71
50331109	13	EM50122409	18	EM50420820	22	EM52023004	38	EM57320005	67
50331116	13	EM50122416	18	EM50421004	22	EM52023007	38	EM57420605	69
50331120	13	EM50122420	18	EM50421009	22	EM52023012	39	EM57420607	69
50331204	13	EM50122430	18	EM50421016	22	EM52323412	40	EM57420615	64
50331209	13	EM50122504	18	EM50425609	20	EM52323425	40	EM57420803	61
50331216	13	EM50122509	18	EM50425616	20	EM53122417	34	EM57420805	69
50331220	13	EM50122516	18	EM50520604	19	EM53122418	33	EM57420807	69
50331230	13	EM50122520	18	EM50520609	19	EM53122517	34	EM57420815	64
53321017	37	EM50122530	18	EM50520616	19	EM53122518	33	EM57421003	61
56022090	58	EM50122609	18	EM50520620	19	EM53122618	33	EM57421005	69
56022095	58	EM50122616	18	EM50520630	19	EM53142518	31	EM57421007	69
56022096	58	EM50122620	18	EM51122413	28	EM53320017	36	EM57421015	64
57330005	68	EM50122630	18	EM51122420	28	EM53420617	35	EM57421105	69
57331405	68	EM50123216	18	EM51122507	28	EM53420717	30	EM57430603	61
59491016	99	EM50123220	18	EM51122513	28	EM53420817	35	EM57430805	73
59491624	99	EM50142009	17	EM51122520	28	EM53421017	35	EM57431005	73
6003006	104	EM50142016	17	EM51122613	28	EM53421117	30	EM57431185	70

Part number Index (EM5 - 999)

EM57620805	72	EP52021412	39
EM57800025	88	EP52021804	38
EM58220000	78	EP52021807	38
EM58220001	77	EP52021812	39
EM58220002	77	EP52022404	38
EM58221216	76	EP52022407	38
EM58221222	76	EP52022412	39
EM58225000	97	EP52023004	38
EM58420619	75	EP52023007	38
EM58420819	75	EP52023012	39
EM58421019	75	EP52323412	40
EM58991008	49	EP52323425	40
EM58991010	49	EP53420717	30
EM58992006	48	EP55922510	42
EM58992008	48	EP56521604	50
EM58992010	48	EP57020005	65
EM58993006	79	EP57020007	65
EM58993010	79	EP57420605	69
EM59020000	84	EP57420805	69
EM59020007	95	EP57421005	69
EM59030000	80	EP57431185	70
EM59030600	81	EP59030000	80
EM59121700	82	NE01TH000	102
EM59122400	82	NE02TH000	102
EM59122500	82	NE03TH000	102
EM59122525	91	NE04TH000	102
EM59122632	91	NE05TH000	102
EM59142000	89	NE06TH000	102
EM59142500	89		
EM59142525	90		
EM59161500	92		
EM59420600	83		
EM59420601	85		
EM59420800	83		
EM59420801	85		
EM59420803	86		
EM59421000	83		
EM59421001	85		
EM59421003	86		
EM59620800	87		
EP50020004	9		
EP50020009	9		
EP50020016	9		
EP50020020	9		
EP52020020	39		
EP52020704	38		
EP52020707	38		
EP52020712	39		
EP52020904	38		
EP52020907	38		
EP52020912	39		
EP52021104	38		
EP52021107	38		
EP52021112	39		
EP52021404	38		
EP52021407	38		

Type Index

6		HPC-MT	64	WNH	74
600	104	HPC-P	64	Z	
670	103	HSC	80	ZHD2	70
A		HSH	53, 54	ZP	59
ABC	56	HW	74	ZP3	60
ABCS	55	L		ZP3-MT	73
ABCT	57	LAW	49		
AC	50	LMW	48		
B		LTR	79		
BC	9, 20	M			
BCC	16, 17	MC	30		
BCCT	10, 12	MCCT	36		
BCCT-R	11, 14	MC-CTB	32		
BC-MSH	19	MF	88		
BLCC	18	MRH-MT	35		
BR	81	MRH-P	35		
C		O			
CC	89, 90	OAC25	51		
CG	41	P			
CH	31	P	92		
CHL	33	PF	21		
CHL-V	34	R			
CR	38, 39	RHA	84		
CRCT	40	RHA-MT	85		
D		RHA-P	85		
DCC	97	RHA-TRH	87		
G		RH-MT	22, 83		
GCC	93	RH-P	22, 83		
H		RHS-MT	86		
H	24, 25	RHS-P	86		
HCB	95	S			
H-DCC	23	SC	42		
HDC-MT	47	U			
HDC-P	47	UC	43		
HK	118	UCC	44		
HLCC	82, 91	UC-CTB	46		
HM	28	ULCC	45		
HMW	74	V			
HN	28	VF	65, 66		
HO	28	VFCL	71		
HOL1	78	VFCT	67		
HOL2	76	VF-MT	69		
HOL3-MT	75	VF-P	69		
HOL3-P	75	VF-TR	72		
HOL-LC	77	W			
HOL-SC	77				
HP	29				
HPC1	62				
HPC2	63				

Alphabetical Index (Aaa – Loc)

A			
Anchor Ring	116		
Angled Profile Clips, Britclips®	60, 73		
B			
Base Plates 670, zp	103		
BC500	9		
Beam Clamps Model C	104		
Beam Clips, Britclips®	9, 10, 11		
	12, 13, 14		
	15, 16, 17		
	18, 19, 22		
BIS HK	118		
Bridle Ring, Britclips®	81		
Britclips® Angled Profile Clips	60, 73		
Britclips® Beam Clips	9, 10, 11		
	12, 13, 14		
	15, 16, 17		
	18, 19, 22		
Britclips® Bridle Ring	81		
Britclips® Cable Run Clips	38, 39, 40		
Britclips® Ceiling Bracket	95		
Britclips® Channel Clamps	93		
Britclips® Conduit Clamps	94		
Britclips® Conduit Mount	90, 91		
Britclips® Deck Hangers	47, 48, 49		
	79		
Britclips® Double Cable Clip	97		
Britclips® Dovetail Cable Hangers	76, 77, 78		
Britclips® Flange Clips	65, 66, 71		
	72		
Britclips® Heavy Duty Threaded Clamp	96		
Britclips® Light Duty Rod Hangers	20		
Britclips® Locking Conduit Clips	82		
Britclips® Master Clamps	30, 31, 32		
	33, 34, 35		
	36, 37		
Britclips® Metal Framing Conduit Clip	88		
Britclips® PH Purlin hangers	68		
Britclips® Pipe Clips	92		
Britclips® Purlin Clips	62, 63, 64		
	68		
Britclips® Push Fasteners	21		
Britclips® Right Angle Brackets	84		
Britclips® Side Mounted Beam Clips	27		
Britclips® Sign Hangers	53, 54		
Britclips® Slide-on Cable Clips	41		
Britclips® Snap-in Conduit Clip	89		
Britclips® Support Clips	42		
Britclips® Suspension Clips	75, 80		
Britclips® T Bar Angle Brackets	56, 57, 58		
Britclips® T Bar Clips	52		
Britclips® T Bar Straight Bracket	55		
Britclips® T Bar Twist On Clips	50, 51		
Britclips® Threaded Rod Hangers	69, 83, 85		
	86, 87		
Britclips® Universal Beam Clips	24, 25, 26		
	28		
Britclips® Universal Pipe Clips	29		
Britclips® Utility Clips	43, 44, 45		
	46		
Britclips® Vertical Flange Cable Saddles	67, 68		
Britclips® Wedge Nuts	74		
Britclips® Z Purlin Clamp	70		
Britclips® Z Purlin Fixings	59, 61		
C			
Cable Run Clips, Britclips®	38, 39, 40		
Cable Ties	98		
C-Beam Clamps	104		
Ceiling Bracket, Britclips®	95		
Ceiling Clip	58		
Ceiling clip cable	58		
Channel Clamps, Britclips®	93		
Conduit Clamps, Britclips®	94		
Conduit fixings	99		
Conduit Mount, Britclips®	90, 91		
D			
Deck Hangers, Britclips®	47, 48, 49		
	79		
DobyGrip Lock	112		
DobyGrip Loop	106		
DobyGrip Snap End Hook	110		
DobyGrip Stud	107		
DobyGrip Wire Reel	111		
Double Cable Clip, Britclips®	97		
Dovetail Cable Hangers, Britclips®	76, 77, 78		
E			
Electrical box fixings	99		
F			
Fixing Plates	103		
Flange Clips, Britclips®	65, 66, 71		
	72		
G			
Girder Cleats	104		
H			
Heavy Duty Threaded Clamp, Britclips®	96		
Hook and Eye Rope Tensioners	115		
L			
Light Duty Rod Hangers, Britclips®	20		
Locking Conduit Clips, Britclips®	82		
M			

Alphabetical Index (Mas – Zzz)

Master Clamps, Britclips®	30, 31, 32 33, 34, 35 36, 37
Metal cable tie	98
Metal Framing Conduit Clip, Britclips®	88

P

Pipe Clips, Britclips®	92
Profile Clamps	104, 105
Purlin Clips, Britclips®	62, 63, 64 68
Purlin Hangers	68
Push Fasteners, Britclips®	21

R

Rapid Sliding Wall Bracket	99
Right Angle Brackets, Britclips®	84
Rope Grips and Eyelets	114

S

Side Mounted Beam Clips, Britclips®	27
Sign Hangers, Britclips®	53, 54
Slide-on Cable Clips, Britclips®	41
Snap-in Conduit Clip, Britclips®	89
Stainless steel cable tie	13, 15, 98
Steel cable tie	98
Support Clips, Britclips®	42
Suspension Clips, Britclips®	75, 80
Swivel Beam Clamps Model P	105

T

T Bar Angle Brackets, Britclips®	56, 57, 58
T Bar Clips, Britclips®	52
T Bar Straight Bracket, Britclips®	55
T Bar Twist On Clips, Britclips®	50, 51
Telescopic Screw Gun Bracket	99
Threaded Rod Hangers, Britclips®	69, 83, 85 86, 87
Top Hat Brackets	102

U

Universal Beam Clips, Britclips®	24, 25, 26 28
Universal Pipe Clips, Britclips®	29
Utility Clips, Britclips®	43, 44, 45 46

V

Vertical Flange Cable Saddles, Britclips®	67, 68
-------------------------------------------	--------

W

Wall Plates, zp	103
Wedge Nuts, Britclips®	74
Wire Anchors HK / HKS	118
Wire Ropes	113

Z

Z Purlin Clamp, Britclips®	70
Z Purlin Fixings, Britclips®	59, 61

J. van Walraven Holding B.V. declares that research was done into the applicability of CE-marking for all Walraven pipe support products. Research showed that, at present, no CE-marking following the Construction Products Directive (89/106/EEC) is applicable for these products.

The quality and/or surface treatment of any adjoining components, as well as climate conditions, may alter the performance or corrosion resistance of Walraven products. If required, please consult us for more information before use. Our company cannot be held responsible for any loss or damage caused by non-compliance, or by any non authorised modification to the product.

Furthermore, J. van Walraven Holding B.V. declares that as soon as any legal obligation following the Construction Products Directive will be applicable to one or more of Walraven's pipe support products, J. van Walraven Holding B.V. will comply with all legal obligations.

Introducing Walraven

for smart installation solutions

Walraven has been in the M&E fixings business since 1942. Our products are known for their quality and are considered by our customers to be innovative and market leading. Our products are designed to work together to offer total system solutions to installers.

Britclips®

Beam Clips, Cable Run Clips and Conduit Clips



Pipe Clamps

starQuick®, BIS Bifix® and BIS Heavy Duty Clamps



Rail

BIS RapidRail®, BIS RapidStrut® and Maxx Rail



Rooftop Supports

BIS Yeti® 480, BIS Yeti® 335 and BIS Ursus®



Fixing Accessories

Rail Accessories, Light and Heavy Duty Anchors



Fire Protection

Pacifyre® MK II, Pacifyre® EFC and Pacifyre® A and S



To find out more, visit walraven.com

United Kingdom
Ireland

Walraven Ltd.

18 Wildmere Industrial Estate
Banbury (GB)
Oxon, OX16 3JU
Tel. +44 (0)1295 75 34 00
sales.uk@walraven.com

Walraven Group

Mijdrecht (NL) · Tienen (BE) · Bayreuth (DE)
Banbury (GB) · Malmö (SE) · Grenoble (FR)
Barcelona (ES) · Kraków (PL) · Mladá Boleslav (CZ)
Moscow (RU) · Kyiv (UA) · Danville (US)
Shanghai (CN) · Dubai (AE) · Budapest (HU)
Mumbai (IN) · Singapore (SG) · Burlington (CA)

