

TAYLOR

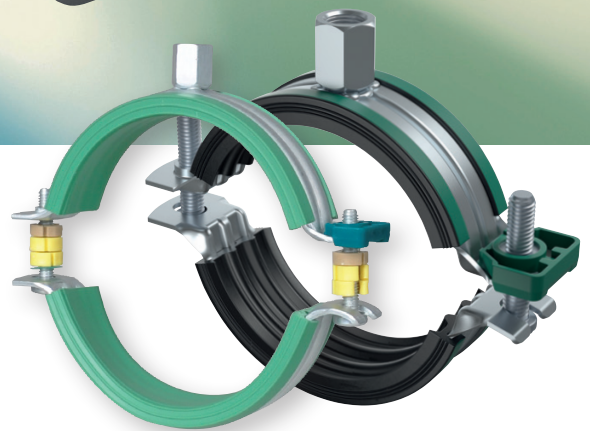
walraven

New and improved!

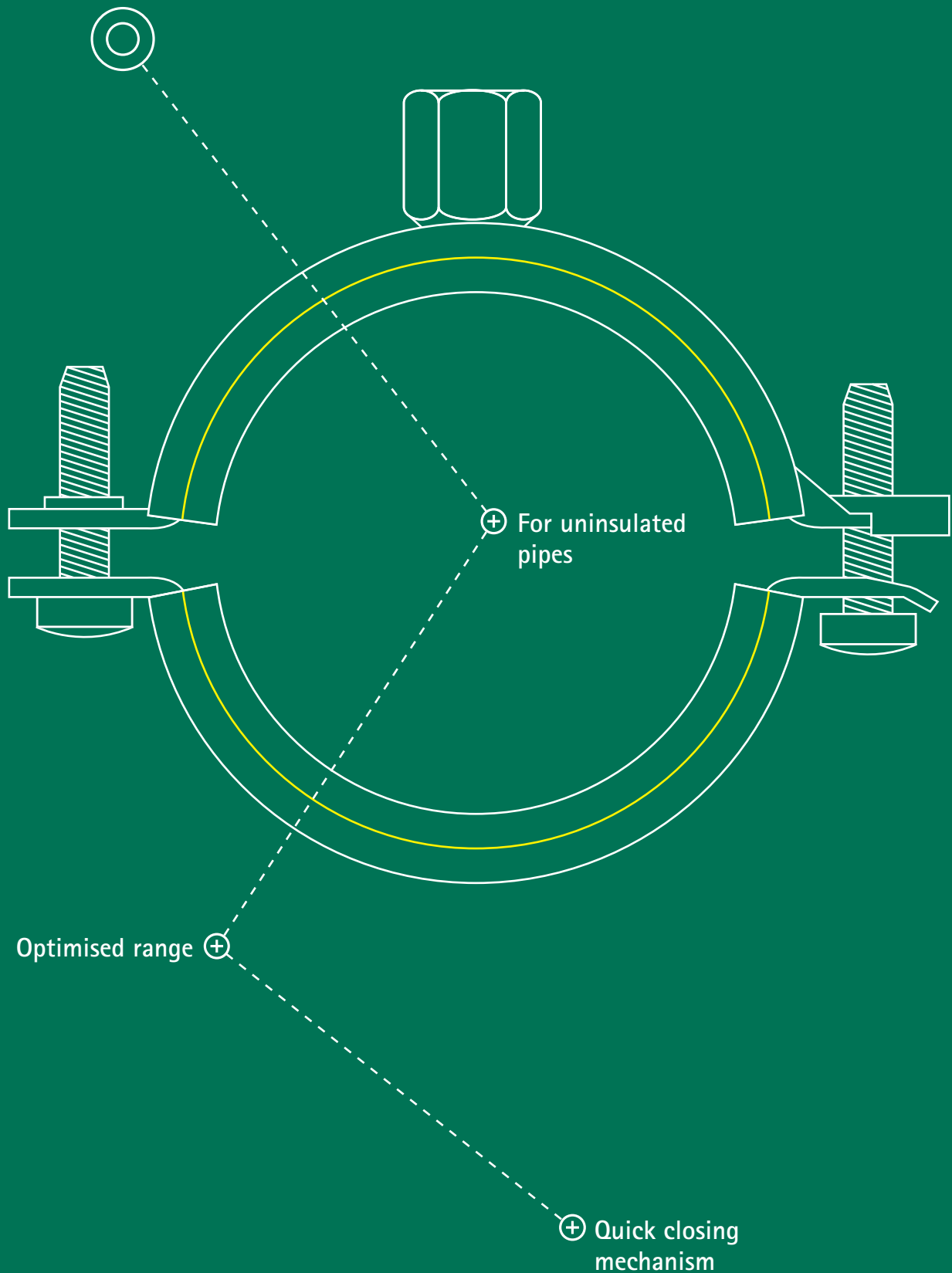


2-Screw Clamps

Quick and flexible pipe clamps



Walraven KSB2 Clamp



Inspired by smart solutions from the start

Walraven is a globally active company in the installation industry, founded in 1942. We have always been dedicated to make the work of our customers easier and more effective. With simple and smart solutions, comprehensive services and excellent support.

Walraven. The value of smart

Walraven KSB2 Clamp

For uninsulated steel, copper and plastic (multilayer) pipes

Product information

The Walraven KSB2 Clamp offers a comfortable solution for fixing steel, copper and multilayer pipes, Ø 10 - 225 mm. The improved quick closing mechanism is simply closed with one hand, which makes it easier and faster during installation. The optimised range with EPDM lining, is designed to hold medium loads in accordance to RAL GZ-655 and offers noise reduction (DIN 4109).



Features and benefits

- For use with steel, copper and plastic (multilayer) pipes
- Two-screw clamp
- Quick closing mechanism for easy locking of the clamp with one hand
- Full range from 1/4" to 8"
- Material: Carbon Steel
- Zinc plated
- Temperature resistance from -30 °C to +120 °C (-22 °F to 248 °F)
- Age resistant lining
- Noise insulating lining, EPDM rubber, black and green
- Sound insulating lining according DIN 4109
- Noise reduction according to ISO 3822-1 up to 23 dB(A)

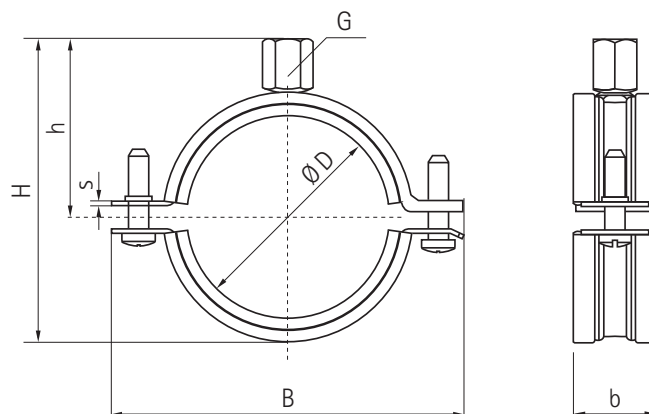
Quick closing mechanism



For faster and easier installation

Walraven KSB2 Clamp

For uninsulated pipes



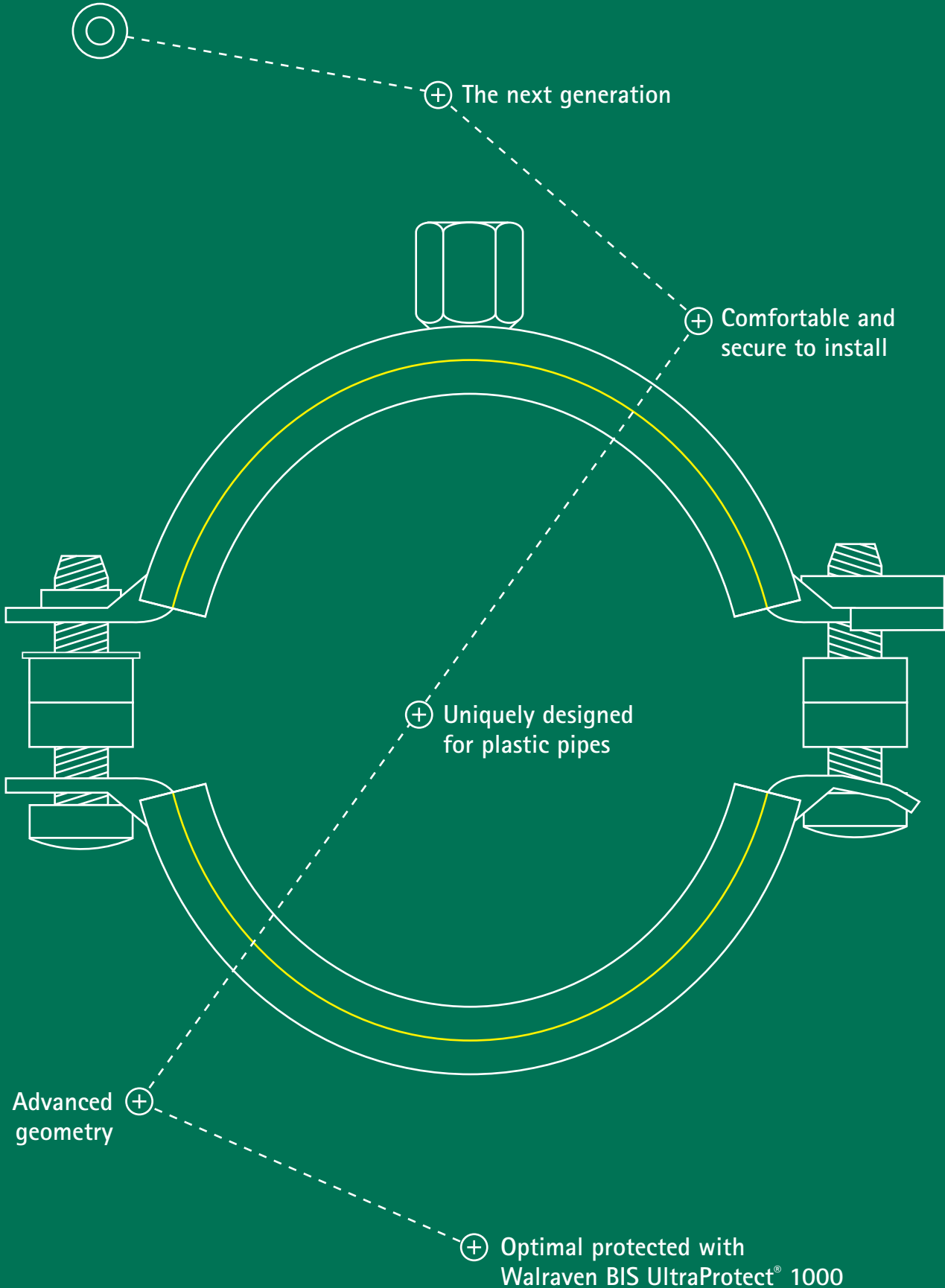
Technical data

Part No.	D (mm)	D (")	D / CTS (")	D / IPS (")	DN	B (")	H (")	h (")	b x s (")	G1 (female)	Max. Rec. Load (lbf)	Pack 1
CR3398014	10 - 14	-	3/8	1/4	8	2 1/3	1 1/3	6/7	0.7874 x 18 (Ga)	3/8"	130	100
CR3398019	15 - 19	-	1/2	3/8	10	2 1/2	1 1/2	1	0.7874 x 18 (Ga)	3/8"	180	100
CR3398023	20 - 23	-	3/4	1/2	15	2 2/3	1 2/3	1	0.7874 x 18 (Ga)	3/8"	180	100
CR3398028	25 - 28	-	1	3/4	20	3	2	1 1/9	0.7874 x 18 (Ga)	3/8"	180	100
CR3398035	31 - 35	-	1 1/4	1	25	3 1/7	2 1/6	1 2/9	0.7874 x 18 (Ga)	3/8"	180	100
CR3398039	36 - 39	1-1/2" OD	-	-	-	3 1/3	2 1/3	1 2/7	0.7874 x 18 (Ga)	3/8"	180	100
CR3398045	40 - 45	-	1 1/2	1 1/4	32	3 4/7	2 3/5	1 1/2	0.7874 x 18 (Ga)	3/8"	180	100
CR3398052	48 - 52	-	-	1 1/2	40	3 5/6	2 5/6	1 4/7	0.7874 x 18 (Ga)	3/8"	180	50
CR3398058	54 - 58	-	2	-	-	4	3 1/9	1 2/3	0.7874 x 18 (Ga)	3/8"	180	50
CR3398064	60 - 64	-	-	2	50	4 2/7	3 1/3	1 4/5	0.7874 x 18 (Ga)	3/8"	180	50
CR3398070	66 - 70	-	2 1/2	-	-	4 2/3	3 5/8	2	0.787 x 16 (Ga)	3/8"	220	50
CR3398079	75 - 79	-	-	2 1/2	65	5	4	2 1/8	0.787 x 16 (Ga)	3/8"	220	50
CR3398083	80 - 83	-	3	-	80	5 1/5	4 1/6	2 1/4	0.787 x 16 (Ga)	3/8"	220	50
CR3398091	88 - 91	-	3 1/2	3	-	5 3/5	4 2/5	2 1/3	0.906 x 14 (Ga)	3/8" - 1/2"	340	50
CR3398105	100 - 105	-	4	3 1/2	-	6 1/9	5	2 3/5	0.906 x 14 (Ga)	3/8" - 1/2"	340	50
CR3398115	108 - 115	-	-	4	100	6 1/2	5 2/7	2 3/4	0.906 x 14 (Ga)	3/8" - 1/2"	340	25
CR3398130	125 - 130	-	5	-	-	7 1/8	6	3	0.906 x 14 (Ga)	3/8" - 1/2"	340	25
CR3398140	133 - 140	-	-	5	150	7 4/9	6 2/7	3 1/4	0.906 x 14 (Ga)	3/8" - 1/2"	340	25
CR3398160	152 - 160	-	6	-	-	8 2/9	7	3 4/7	0.906 x 14 (Ga)	3/8" - 1/2"	340	25
CR3398169	165 - 169	-	-	6	-	8 6/7	7 2/3	4	0.9842 x 12 (Ga)	3/8" - 1/2"	530	20
CR3398180	176 - 180	6-1/2" OD	-	-	-	9 3/8	7 7/8	4 1/4	0.9842 x 20 (Ga)	3/8" - 1/2"	530	15
CR3398200	192 - 200	7" OD	-	-	-	10 1/8	9	4 2/3	0.9842 x 12 (Ga)	3/8" - 1/2"	530	15
CR3398210	205 - 210	7-1/2 OD	-	-	-	10 3/5	9 4/9	4 7/8	0.9842 x 12 (Ga)	3/8" - 1/2"	530	10
CR3398225	219 - 225	-	-	8	200	11 1/7	10	5 1/2	0.9842 x 12 (Ga)	3/8" - 1/2"	530	10



Small
CHANGES CAN MAKE
A BIG
DIFFERENCE.

Walraven Bifix® 5000 G2



⊕ The next generation

⊕ Comfortable and secure to install

⊕ Uniquely designed for plastic pipes

⊕ Advanced geometry

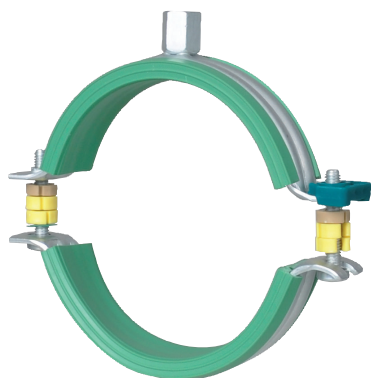
⊕ Optimal protected with Walraven BIS UltraProtect® 1000

Walraven Bifix® 5000 G2

For plastic pipes Ø 16 – 200 mm

Product information

Walraven Bifix® 5000 G2 offers a unique and premium line of clamps covering all types of plastic pipe fixing solutions, both indoors and outdoors, Ø 16 – 200 mm. The product is specifically designed for PE pipes, and provides in both fixing and sliding to handle the pipe expansion.

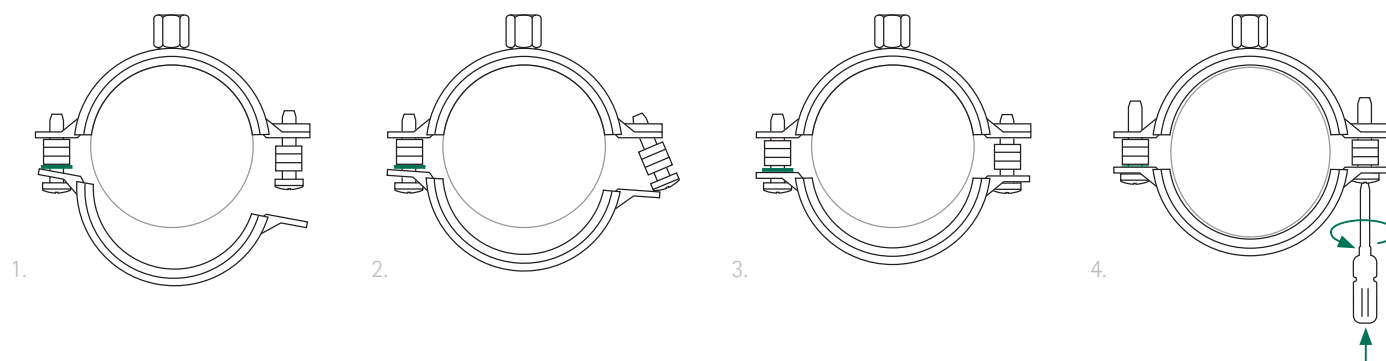


Features and benefits

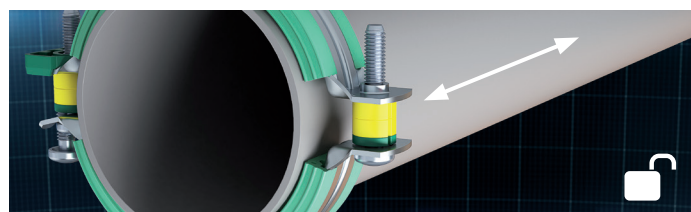
- For use with plastic pipes
- Clamp sizes 1/4"-2-1/2" feature a 3/8" nut (CR3189019-CR3189079) which allows for installation on 3/8" threaded rod
- Clamp sizes 3"-6" feature a 3/8"-1/2" dual nut (CR3189105-CR3189169), which allows for installation on 3/8" or 1/2" threaded rod without the need of an adapter
- Removable spacers allow for expansion and contraction of pipe and makes clamp suitable for sliding or anchoring applications
- Plenum rated - tested to ASTM E-84
- Suitable for indoor and outdoor applications
- Age resistant lining
- Noise insulating lining according to DIN 4109
- Inner part of lining is smooth to improve sliding of pipe in clamp
- Material: steel 1.0332, lining: EPDM rubber
- Surface protection: Product is part of the Walraven BIS UltraProtect® 1000 system - withstands a salt spray corrosion test for a minimum of 1,000 hours (maximum 5% red rust) according to ISO 9227



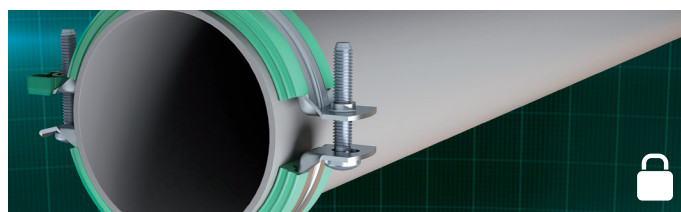
Quick closing mechanism



For sliding & tight fixing



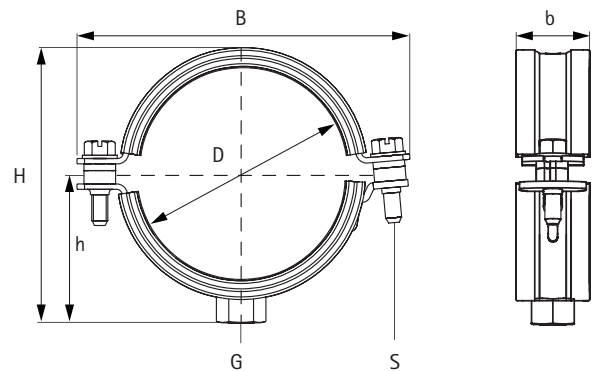
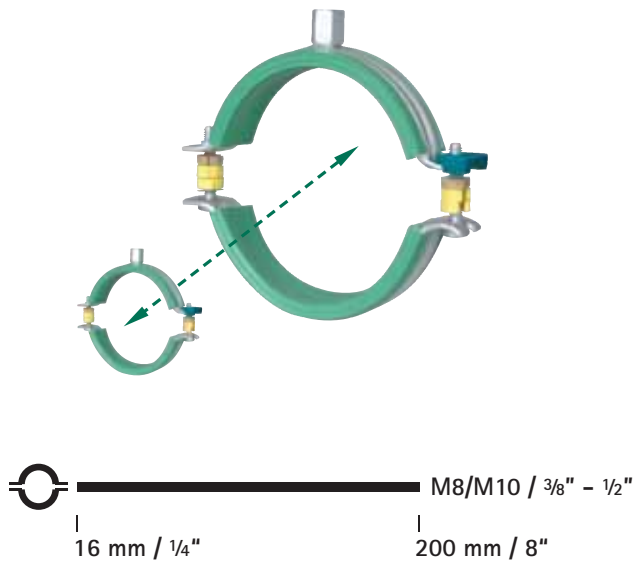
- With spacer washers for sliding application



- Without spacer washers for fixed application

Walraven Bifix® 5000 G2

For plastic pipes Ø 16 – 200 mm



Technical data

Part No.	D (mm)	D / CTS (")	D / IPS (")	G	B (")	H (")	h (")	b x s (")	F _{az} (lbf)	Pack 1
CR3189019	16.0	1/2	1/4	3/8"	24.803	16.968	0.9173	0.7874 x 0.0492	130	50
CR3189023	20.0	3/4	1/2	3/8"	26.771	18.937	0.9960	0.7874 x 0.0492	130	50
CR3189028	25.0	1	3/4	3/8"	29.133	21.299	11.141	0.7874 x 0.0492	130	50
CR3189039	32.0	1 1/4	1	3/8"	33.070	23.307	13.110	0.7874 x 0.0492	130	50
CR3189045	40.0	1 1/2	1 1/4	3/8"	35.826	26.102	14.488	0.7874 x 0.0492	130	50
CR3189052	47.9	-	1 1/2	3/8"	38.188	28.937	15.669	0.7874 x 0.0492	130	50
CR3189058	50.0	2	-	3/8"	40.944	30.708	17.047	0.7874 x 0.0492	130	50
CR3189064	60.0	-	2	3/8"	42.913	33.307	18.031	0.7874 x 0.0590	130	50
CR3189070	63.0	2 1/2	-	3/8"	46.456	35.905	19.685	0.7874 x 0.0590	130	50
CR3189079	75.0	3	2 1/2	3/8"	49.212	38.267	21.141	0.7874 x 0.0590	130	50
CR3189105	90.0	-	3	3/8" - 1/2"	58.267	53.740	32.952	0.9055 x 0.0787	310	25
CR3189115	110.0	-	4	3/8" - 1/2"	64.409	63.740	36.102	0.9055 x 0.0787	310	25
CR3189130	125.0	5	-	3/8" - 1/2"	71.102	69.685	39.448	0.9055 x 0.0787	310	25
CR3189160	160.0	6	-	3/8" - 1/2"	82.125	79.488	44.960	0.9055 x 0.0787	310	10
CR3189169	168.0	-	6	3/8" - 1/2"	88.543	86.574	47.125	0.9842 x 0.0984	380	10
CR3189200				3/8" - 1/2"						

The max. allowed load (F_{az}) is calculated using specific statistical methods related to the breaking load, taking into account a deflection of 1.5 mm or 2% of the maximum nominal clamp diameter.

Walraven Bifix[®] 5000 G2

The next generation

Walraven BIS Bifix[®] 5000 G2 Clamp

- For indoor & outdoor use
- Increased strength
- For sliding & tight fixing
- For plastic pipes \varnothing 16 - 200 mm
- Noise insulation

Taylor Walraven Partnership Announcement



Taylor Pipe Supports and the Walraven Group are excited to announce the formation of our Canadian partnership effective October 2020 under the name Taylor Walraven.



Headquartered in Burlington, Ontario, Taylor Pipe Supports is a family-owned company founded in 1966. Over its 55 years in business, the company has firmly established itself as the leading supplier of pipe support products to the Canadian distribution market.

The Walraven Group, based in the Netherlands, is a family-owned business established in 1942. With its roots also in the pipe support business, Walraven is now a globally active manufacturer and solution provider to the mechanical installation market. The Walraven Group operates with over 1200 employees in 5 continents.



In joining together we believe greater opportunities exist for us and for our customers. Taylor Walraven's expanded and extensive offering in terms of products and services, along with our combined 125 years of industry experience, has us focused on growth and to becoming the preferred solutions partner to the mechanical installation market across North America.

Find out how we can support you

Would you like to find out more about any of the solutions described in this brochure?
Or would you like to discuss how we could help you find the best possible solution for your project? Contact us today!

Canada

Taylor Walraven – Canada
5305 John Lucas Drive,
Burlington,
Ontario L7L 6A8
Phone (800) 263 8652
Fax (905) 332 0783
info@taylorwalraven.ca

Walraven Group

Mijdrecht (NL) · Tienen (BE) · Bayreuth (DE)
Banbury (GB) · Malmö (SE) · Grenoble (FR)
Barcelona (ES) · Milan (IT) · Kraków (PL)
Mladá Boleslav (CZ) · Kyiv (UA)
Danville (US) · Shanghai (CN) · Dubai (AE)
Budapest (HU) · Mumbai (IN) · Singapore (SG)
Burlington (CA) · Athens (GR)



*2-Screw Clamps (CA) – 03/2024 – PDF – Full content subject to modifications
* The technical data are non-binding and do not reflect the warranted characteristics of the products. They are subject to change. Please consult our General Terms and Conditions.
Additional information is available upon request. It is the designer's responsibility to select products suitable for the intended purpose and to ensure that performance data are not exceeded. The installation instructions should always be read and followed.*