

W5000 Cushion Clamp



NOISE REDUCING



Tested in accordance with ISO 3822-1

Product Specifications:

- **The New Alternative to the Cushion Clamp**
- Spacers allow for pipe expansion and contraction
- For use with plastic pipes
- Removable spacers make clamp suitable for either sliding or anchoring
- Patented one piece design means **no loose parts**
- Easier, faster, safer - **installs with one hand**
- 3 way screw head - Phillips, flat and hex
- Unique design allows one clamp to fit multiple pipe sizes - less items to stock
- **Noise and vibration reducing, tested in accordance with ISO 3822-1***
- Materials:
 - Clamp: Steel 1.0242
 - Noise insulation lining: EPDM green rubber
- Age resistant, green EPDM rubber lining will prevent plasticiser migration
- W Series Clamps are boxed for easy handling - **no more bags**
- Surface is treated with high grade Zn-Mg based coating (withstands 600 hours salt spray)
- Test Reports: Strength, Fire and Smoke: UL 1565 Listed, Plasticizer migration behavior: 2016-TR151002-V5, Noise emission: 2016-SG-Bauakustik-1647-001-16
- Meet or exceeds the requirements for MFMA-4
- Meet or exceeds the requirements of Manufacturers Standardization Society MSS SP-58 and SP-69

* Testing reports available upon request



Clamp has removable spacers.

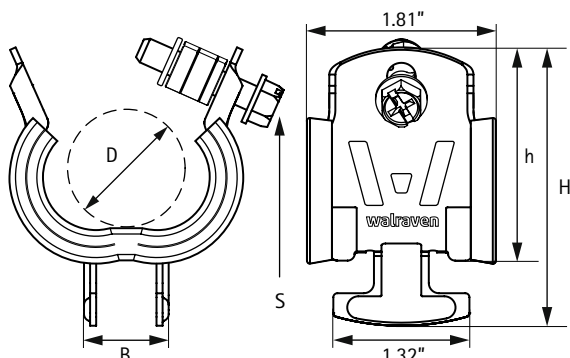


Use spacers for sliding applications.



Remove spacers for anchored applications.

Item Number	D (mm)	D / CTS (inches)	D / IPS (inches)	B (inches)	b (inches)	H (inches)	h (inches)	W (inches)	S (inches)	Fa,z (lbs)	Items per pkg
2055007	12-13	3/8	-	0.85	1.32	2.16	1.50	1.81	1/4	200	50
2055008	14-15	-	1/4	0.85	1.32	2.16	1.50	1.81	1/4	200	50
2055009	15-16	1/2	-	0.85	1.32	2.32	1.65	1.81	1/4	200	50
2055010	17-18	-	3/8	0.85	1.32	2.32	1.65	1.81	1/4	220	50
2055012	19-22	5/8-3/4	1/2	0.85	1.32	2.44	1.77	1.81	1/4	220	50
2055013	24-25	-	-	0.85	1.32	2.71	2.09	1.81	1/4	400	50
2055014	26-29	1	3/4	0.85	1.32	2.71	2.09	1.81	1/4	400	50
2055016	32-35	1-1/4	1	0.79	1.32	2.91	2.28	1.81	1/4	400	50
2055020	40-43	1-1/2	1-1/4	0.79	1.32	3.19	2.56	1.81	5/16	400	25
2055022	47-49	-	1-1/2	0.75	1.32	3.50	2.87	1.81	5/16	400	25
2055023	50-52	-	-	0.79	1.32	3.70	3.07	1.81	5/16	400	25
2055024	53-54	2	-	0.79	1.32	3.70	3.07	1.81	5/16	400	25
2055025	56-58	-	-	0.75	1.32	4.05	3.46	1.81	5/16	400	25
2055026	60-63	-	2	0.75	1.32	4.05	3.46	1.81	5/16	400	25



PRODUCT SUBMITTAL		Date: _____
Job Name:		
Part No.	Qty:	
Architect / Owner:		
Contractor:		
Notes:		