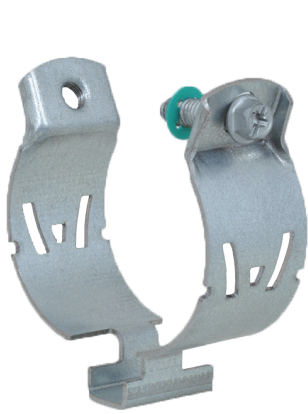
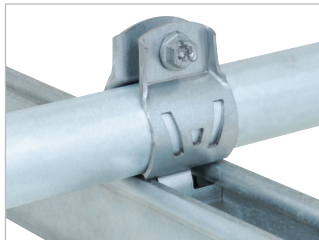


W1000 Strut Clamp

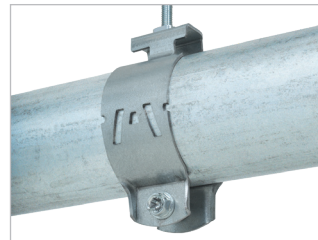


Product Specifications:

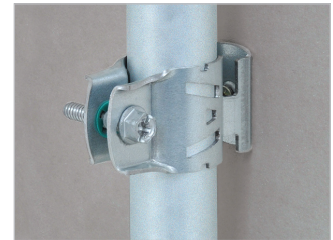
- For use with steel pipes and EMT conduit
- 3-way use, on strut, on threaded rod, directly on wall or ceiling
- One piece design means no loose parts
- Easier, faster, safer - installs with one hand
- 3 way screw head: Phillips, flat and hex
- Unique design allows one clamp to fit multiple pipe sizes meaning less items to stock
- W Series Clamps are boxed for easy handling - no more bags
- Surface is treated with high grade Zn-Mg based coating (withstands a salt spray corrosion test of at least 600 hours)
- Test Reports: Strength: 2017-TR15XXXX-VX
- Material: pre-galvanized steel 1.0242



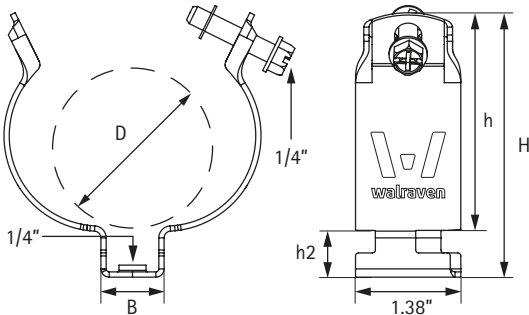
Use with strut channel, like a standard strut clamp



Suspend from threaded rod, like a clevis/loop hanger



Mount directly on the wall, like a conduit clamp



Item number	D (mm)	D / IPS (inches)	D / EMT (inches)	B (inches)	H (inches)	h (inches)	h2 (inches)	Fa,z (lbs)	Items per pkg.
2015021	18-21	1/2	1/2	0.57	2.05	1.42	0.63	200	50
2015027	23-27	3/4	3/4	0.75	2.24	1.65	0.59	200	50
2015033	29-33	1	1	0.75	2.52	1.89	0.63	220	25
2015042	38-42	1-1/4	1-1/4	0.85	2.87	2.24	0.63	220	25
2015048	44-48	1-1/2	1-1/2	0.85	3.07	2.48	0.59	400	25
2015060	56-60	2	2	0.85	3.46	2.83	0.59	400	25

Product Submittal

Job Name:	
Date:	
Part No.	Qty:
Architect / Owner:	
Contractor:	
Notes:	

THE INFORMATION CONTAINED IN THIS SUBMITTAL SHEET IS PROPRIETARY TO WALRAVEN, INC. AND IS SUBJECT TO CHANGE WITHOUT NOTICE. THIS INFORMATION MAY NOT BE REPRODUCED IN PART OR WHOLE WITHOUT WRITTEN AUTHORIZATION FROM WALRAVEN, INC.

