

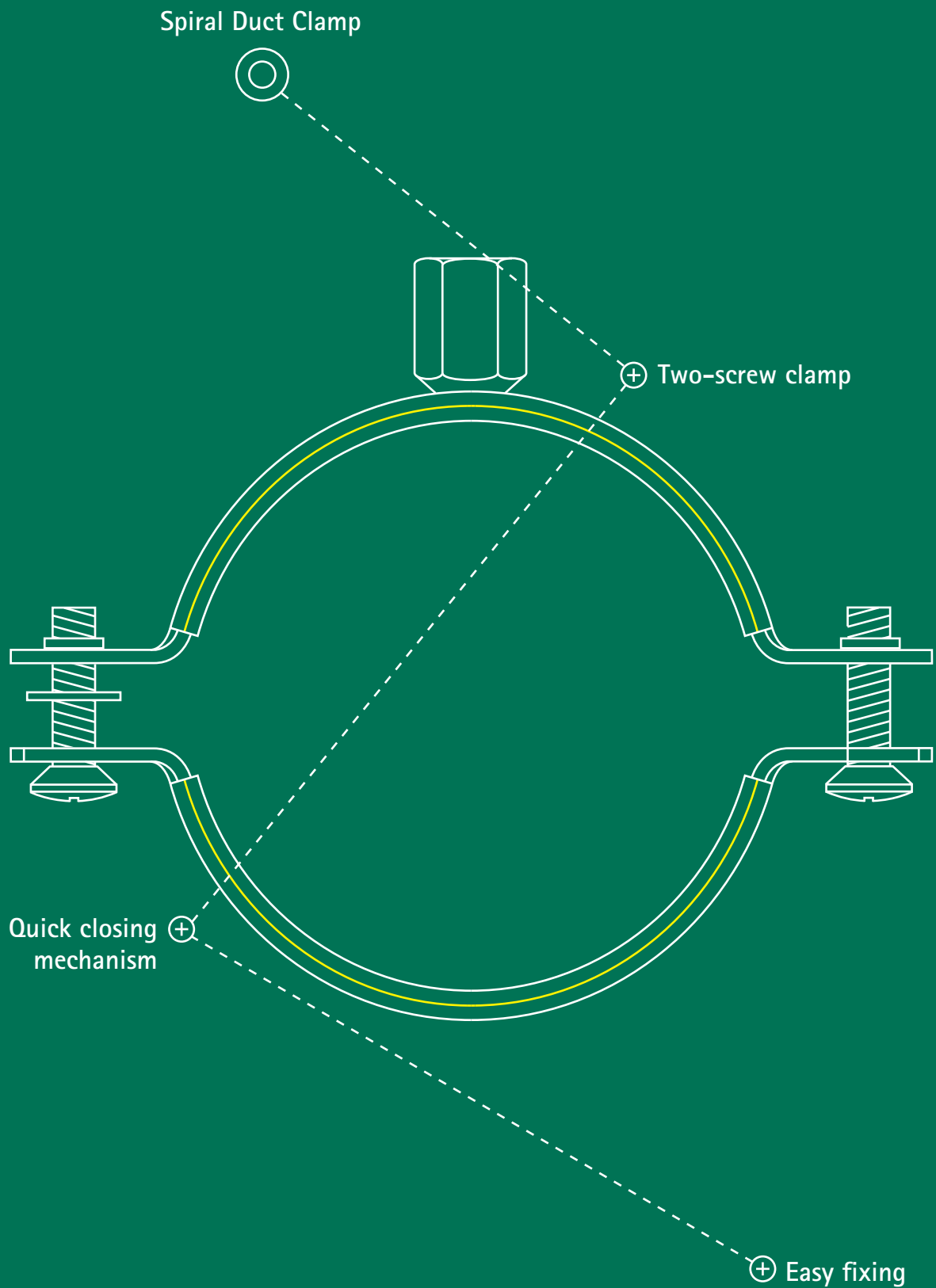
Easy to use with quick lock



Spiral Duct Clamp

Metal clamp with sound insulating lining





Inspired by smart solutions from the start

Walraven is a globally active company in the installation industry, founded in 1942. We have always been dedicated to make the work of our customers easier and more effective. With simple and smart solutions, comprehensive services and excellent support.

Walraven. The value of smart

Spiral Duct Clamp

For spiral ducts 80 – 630mm

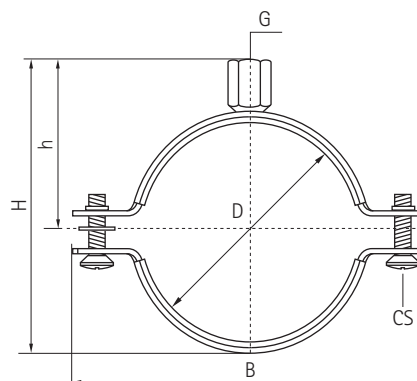
Product information

The Walraven Spiral Duct Clamp has EPDM rubber lining and is intended to be used for indoor spiral duct installations. The clamp has a quick closing mechanism making installations easier as there is no need to loosen the screws completely during installation. Plus this clamp allows connection to both M8 and M10 threaded rods.



Features and benefits

- Two-screw clamp
- Quick closing mechanism
- Material: steel
- Zinc plated
- Noise insulating lining, EPDM rubber, black
- Age resistant lining
- Noise insulating lining according to DIN 4109



Product Details

Part No.	D (mm)	G	B (mm)	H (mm)	h (mm)	cs	Pack 1
4103080	80	M8/10	125	109	57	M6	40
4103100	100	M8/10	149	129	67	M6	30
4103112	112	M8/10	163	141	74	M6	30
4103125	125	M8/10	180	154	78	M6	25
4103140	140	M8/10	189	169	86	M6	35
4103150	150	M8/10	202	179	92	M6	30
4103160	160	M8/10	222	189	98	M6	25
4103180	180	M8/10	243	209	108	M6	20
4103200	200	M8/10	259	229	117	M6	20
4103225	225	M8/10	288	253	132	M6	20
4103250	250	M8/10	304	279	145	M6	20
4103280	280	M8/10	358	309	160	M6	20
4103300	300	M8/10	373	329	171	M6	20
4103315	315	M8/10	386	344	178	M6	20
4103355	355	M8/10	445	384	198	M6	15
4103400	400	M8/10	493	429	221	M6	10
4103450	450	M8/10	540	483	246	M6	15
4103500	500	M8/10	591	532	271	M6	10
4103560	560	M8/10	635	591	300	M10	10
4103600	600	M8/10	675	631	320	M10	10
4103630	630	M8/10	706	664	335	M10	8

Find out how we can support you

Would you like to find out more about any of the solutions described in this brochure?
Or would you like to discuss how we could help you find the best possible solution for your project? Get in touch today!

United Kingdom Ireland

Walraven Ltd.

Thorpe Way, Banbury (GB)
Oxon, OX16 4UU
Tel. +44 (0)1295 75 34 00
Fax +44 (0)1295 75 34 28
sales.uk@walraven.com

Other countries

Walraven International

P.O. Box 15
3640 AA Mijdrecht (NL)
Tel. +31 (0)297 23 30 00
Fax +31 (0)297 23 30 99
export@walraven.com

Walraven Group

Mijdrecht (NL) · Tienen (BE) · Bayreuth (DE) · Banbury (GB) · Malmö (SE) · Grenoble (FR) · Barcelona (ES) · Kraków (PL)
Mladá Boleslav (CZ) · Moscow (RU) · Kyiv (UA) · Detroit (US) · Shanghai (CN) · Dubai (AE) · Budapest (HU) · Mumbai (IN)
Singapore (SG)

NL



GB

