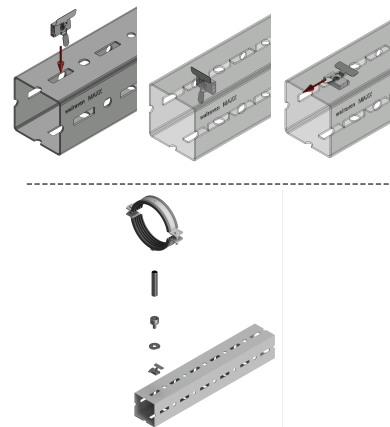


Walraven Maxx Clamp Adaptor Set

(H2 05 24)

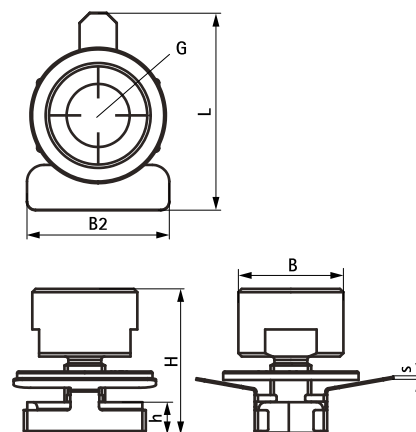
for connecting clamps to Maxx Heavy Rail Profiles



Funktioner och Fördelar

- patented slide nut pre-assembled with a big washer and a thread adaptor to connect Walraven Heavy Duty Clamps M16 or 1/2" to Walraven Maxx Heavy Rail Profiles
- advised to be used in combination with Walraven Heavy Duty Clamps HD1501 (M16, 1/2")
- material: slide nut made of steel 1.0332; adaptor made of steel 1.0718; aid tray made of stainless steel 1.4301
- slide nut: hot dip galvanized; washer and adaptor are part of the Walraven BIS UltraProtect® 1000 system

Art.nr.	Typ	G	L	B	B2	H	h	s	T _(inst.)	F _{a,z}	F _{a,x}	fp
			(mm)	(mm)	(mm)	(mm)	(mm)	(mm)	(Nm)	(N)	(N)	
651867116	CA	M16	58,3	28	42	43	9	0,5	50,0	11 400	2 100	25
651867121	CA	1/2"	58,3	31	42	43	9	0,5	50,0	11 400	2 100	25



Kompletterande

- Walraven Maxx Balksystem
- BIS Heavy Duty Klammer HD1501 med gummi (BUP1000)
- BIS Heavy Duty Klammer HD1501 med gummi (BUP1000)