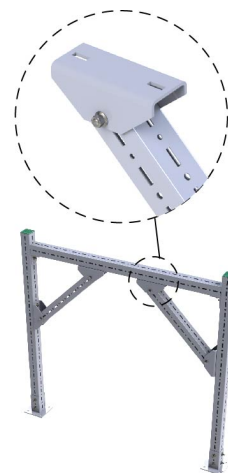
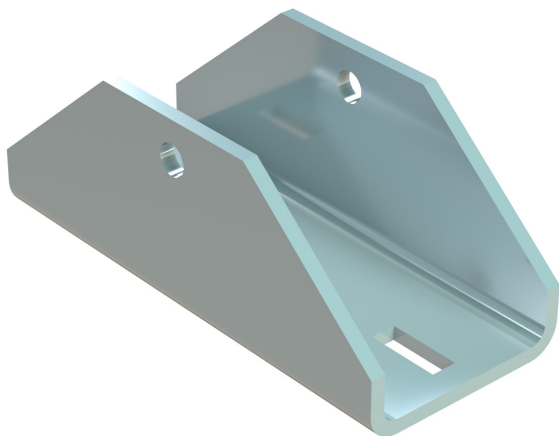


Walraven Maxx Hinged Connector

(H2 05 20)

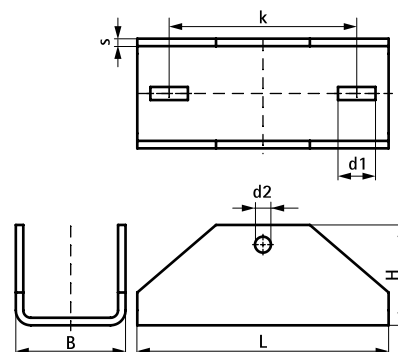
for hinged connections with Maxx profiles



Caracteristici și beneficii

- U-shaped plate for hinged connections made from Maxx Profiles 100x100 (MX100)
- applicable as bracing element for Maxx Profile constructions
- to be used in combination with profiles MX100 and Bolt Set M16x140mm (Part No. 614581614, to be ordered separately)
- material: steel 1.0044 (S275JR)
- zincare prin imersie

Art.Nr.	L	B	H	s	d1	d2	k	Pentru șină	F _{a,z}	Amb. 1	U.M.
		(mm)	(mm)	(mm)	(mm)	(mm)	(mm)		(N)		
6581815	268 mm	117	107	8	40x14	17	200	MX100	14.100	1	St.



În combinație cu

Walraven Maxx Bolt Set (ZTD)