

WDI1L Conexpand metalic cu cap ondulat

standard drop-in anchor with a lip collar

(L 03 10)



Caracteristici și beneficii

- simple and quick installation procedure
- collar with a lip for flush anchor setting at any hole depth
- medium load capacity
- material: oțel
- galvanizat electrolitic
- ETA ETAG001 Part 6 approval for multiple use for non-structural applications
- fire resistance class R30-R120 for design of anchorages under exposure to fire
- tip substrat:
 - beton fisurat
 - beton nefisurat

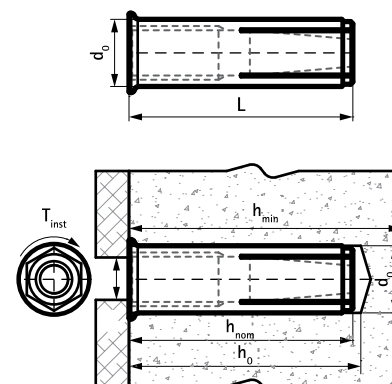


Art.Nr.	Code	Size	L	d_0	h_0	h_{min}	h_{nom}	Rec. Load C20/25 Concrete (kN)	Partial Safety Factor (yMc)	VPE 1	VPE 2
610 3 106	WDI1L 6x25	M6	25 mm	8	≥ 30	80	≥ 25	0,52*	2,10	100	600
610 3 108	WDI1L 8x30	M8	30 mm	10	≥ 32	80	≥ 30	1,02*	2,10	100	600
610 3 110	WDI1L 10x40	M10	40 mm	12	≥ 42	80	≥ 40	1,55*	2,10	50	500
610 3 112	WDI1L 12x50	M12	50 mm	15	≥ 53	100	≥ 50	2,19*	2,10	50	300
610 3 116	WDI1L 16x65	M16	65 mm	20	≥ 70	130	≥ 65	4,53*	2,10	25	150

* = Recommended loads: are stated for multiple use for non-structural applications according to ETAG001, Part 6; apply to anchors correctly installed at maximum embedment depth; include partial safety factor and an overall partial safety factor for action of 1.4.

The partial safety factor for action depends on the type of loading and shall be taken from national regulations. All anchor failure modes and the entire relevant product European Technical Assessment must be considered for anchor design.

Pentru informații suplimentare, vă rugăm să consultați raportul ETA.



În combinație cu

WDI1 Dorn fixare
WIS Perie
WIS Pompă aer

În combinație cu

WDI1 Burghiu cu opritor
WSDS+ WSDS+ Burghiu cu 3 tășuri