

Smart solutions for
everyday plumbing



Pipe Fixing Essentials

2020





Contents

Britclips® RSWB	3
Plastic Pipe Clamps	4
Metal Pipe Clamps	8
BIS RapidRail® Fixing System	12
Light Duty Plugs and Anchors	18

Britclips® RSWB

Britclips® RSWB (Rapid Sliding Wall Bracket)



Features and Benefits

- Extendable bracket for faster mounting of pipework
- Can be fixed to wood or metal joists
- Shorter version expands from 10 to 16 inches
- Longer version expands from 16 to 24 inches
- Quicker and easier to install than traditional methods
- Can be set at multiple depths
- A lightweight product made from high quality galvanised steel

Part No	Length	Pack Quantity
5949 1016	10-16" (25-40cm)	50
5949 1624	16-24" (40-60cm)	50



**NEW 10-16" RSWB – ideal for fixing pipes in floor joists.
Use with the BIS starQuick® clamps for an even faster fixing!**

Installers who have used the RSWB say:

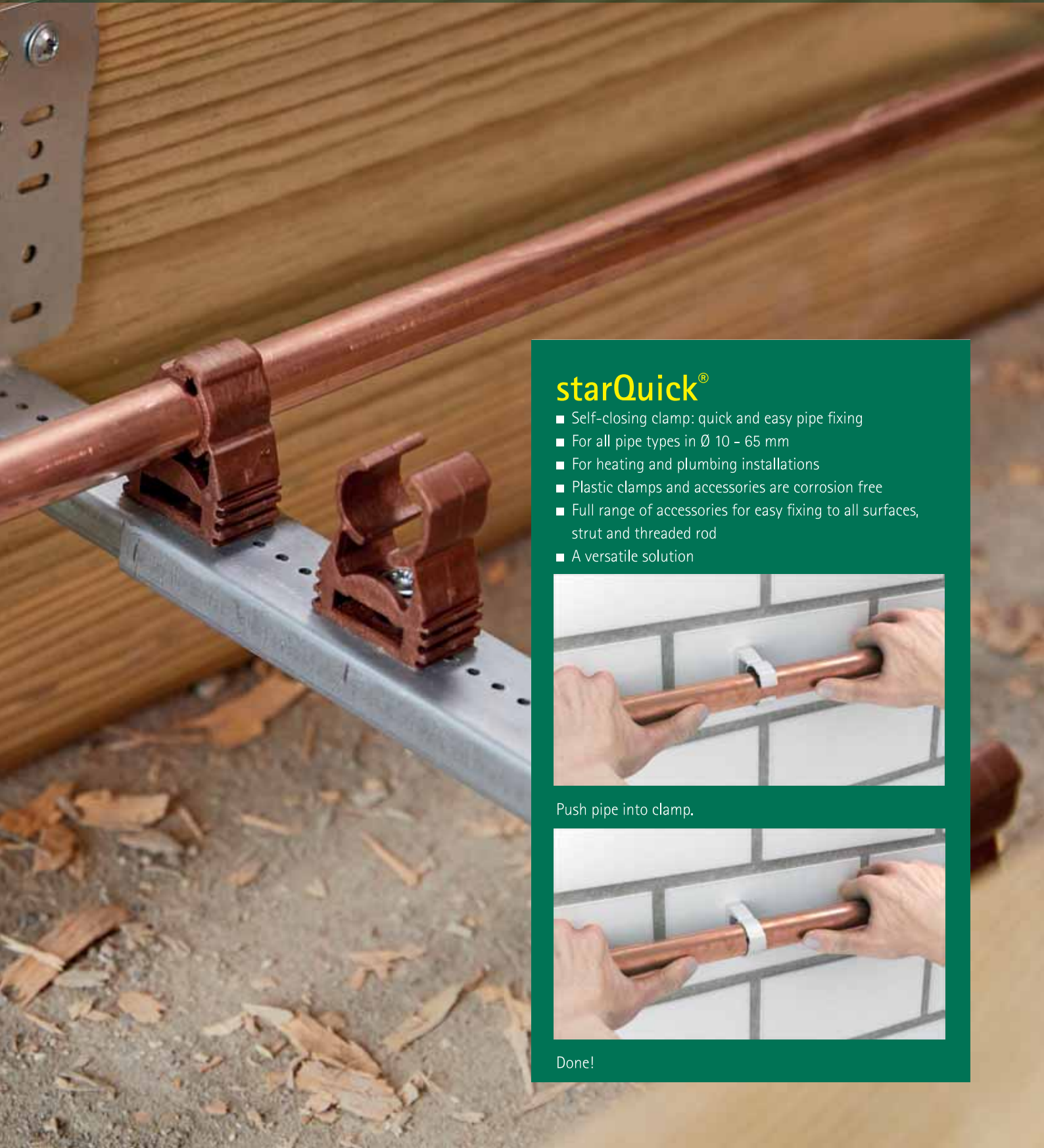
"Handy for running pipe under floors"

"Time saver in every way"

"A solution to many problems"

"These are a game changer"

Plastic Pipe Clamps



starQuick®

- Self-closing clamp: quick and easy pipe fixing
- For all pipe types in Ø 10 - 65 mm
- For heating and plumbing installations
- Plastic clamps and accessories are corrosion free
- Full range of accessories for easy fixing to all surfaces, strut and threaded rod
- A versatile solution



Push pipe into clamp.



Done!

Plastic Pipe Clamps

BIS starQuick® Clamp (Grey)



kiwa



Features and Benefits

- one-part clamp
- clamp closes by applying pressure to the pipe
- for outdoor use and installations in swimming pool environments, chemical factories, zinc factories, etc.
- due to a patented profile it is possible to tack several clamps to each other
- material: modified PA6 (polyamide), grey (according to RAL 7035)
- resistant to UV, ageing, oil and petrol
- no corrosion, recyclable, halogen free
- temperature resistance from approx. -40 °C to approx. +90 °C (constant); short to approx. +130 °C

Part No	D (mm)	D (")	DN	Type	Pack 1
085 4 010	10 - 12		6	SQ-10	100
085 4 012	12 - 14	1/4	8	SQ-12	100
085 4 015	14 - 16	-	-	SQ-15	100
085 4 018	16 - 20		10	SQ-17	100
085 4 022	20 - 23	1/2	15	SQ-20	50
085 4 028	24 - 28	3/4	20	SQ-25	50
085 4 031	28 - 32	-	-	SQ-28	50
085 4 035	32 - 35	1	25	SQ-32	50
085 4 038	35 - 40	-	-	SQ-36	25
085 4 042	40 - 44	1 1/4	32	SQ-40	25
085 4 050	44 - 50	-	-	SQ-47	25
085 4 054	48 - 55	1 1/2	40	SQ-51	15
085 4 063	59 - 65	2	50	SQ-59	15

BIS starQuick® Clamp (White)



kiwa



Features and Benefits

- one-part clamp
- clamp closes by applying pressure to the pipe
- for outdoor use and installations in swimming pool environments, chemical factories, zinc factories, etc.
- due to a patented profile it is possible to tack several clamps to each other
- material: modified PA6 (polyamide), white (according to RAL 9003)
- resistant to UV, ageing, oil and petrol
- no corrosion, recyclable, halogen free
- temperature resistance from approx. -40 °C to approx. +90 °C (constant); short to approx. +130 °C

Part No	D (mm)	D (")	Type	KIWA	Pack 1
085 5 010	10 - 12		SQ-10	-	100
085 5 012	12 - 14	1/4	SQ-12	KIWA	100
085 5 015	14 - 16	-	SQ-15	KIWA	100
085 5 018	16 - 20		SQ-17	KIWA	100
085 5 022	20 - 23	1/2	SQ-20	KIWA	50
085 5 028	24 - 28	3/4	SQ-25	KIWA	50
085 5 031	28 - 32	-	SQ-28	KIWA	50
085 5 035	32 - 35	1	SQ-32	KIWA	50
085 5 038	35 - 40	-	SQ-36	KIWA	25
085 5 042	40 - 44	1 1/4	SQ-40	KIWA	25
085 5 050	44 - 50	-	SQ-47	-	25
085 5 054	48 - 55	1 1/2	SQ-51	-	15
085 5 063	59 - 65	2	SQ-59	-	15

BIS starQuick® Clamp (Copper)



kiwa



Features and Benefits

- one-part clamp
- clamp closes by applying pressure to the pipe
- for outdoor use and installations in swimming pool environments, chemical factories, zinc factories, etc.
- due to a patented profile it is possible to tack several clamps to each other
- material: modified PA6 (polyamide), copper (according to RAL 7035)
- resistant to UV, ageing, oil and petrol
- no corrosion, recyclable, halogen free
- temperature resistance from approx. -40 °C to approx. +90 °C (constant); short to approx. +130 °C

Part No	D (mm)	D (")	DN	Type	Pack 1
0855815	14 - 16	-	-	SQ-15	100
0855822	20 - 23	1/2	15	SQ-20	50
0855828	24 - 28	3/4	20	SQ-25	50

BIS starQuick® Duo Wall Plate



Features and Benefits

- for fixing of two pipes with BIS starQuick® Clamps
- suitable for BIS starQuick® Clamps up to SQ-20
- the distance between the pipe and the wall is equal to that of a single clip
- material: modified PA6 (polyamide), grey or white

Part No	Model	Colour	Pack 1
085 4 000	-	Grey (RAL 7035)	100
085 4 300	With hammer-in screw	Grey (RAL 7035)	50
085 5 000	-	White (RAL 9003)	100

Hammer-in screw: suitable for fixing into concrete, aerated concrete, brick.

BIS starQuick® Threaded Rod Adaptor



Features and Benefits

- to fix a BIS starQuick® Clamp to a threaded rod
- to add pipework quickly and simply to an existing installation
- material: PA (polyamide), grey (according to RAL 7035)

Part No	Model	G	Pack 1
085 4 356	SQ10 - SQ51	M6	100
085 4 358	SQ10 - SQ51	M8	100

BIS starQuick® Distance Block



Features and Benefits

- for clamp fixing with a distance to the structure
- for screwing a clip to a distance block, use a screw of at least 55 mm
- suitable for SQ-10 up to SQ-36

Part No	L	B (mm)	H (mm)	Pack 1
085 4 510	27 mm	17	10	25

BIS starQuick® Hammer-in Screw



Features and Benefits

- for fixing of BIS starQuick® Clamps without nut
- suitable for fixing onto concrete, aerated concrete, brick
- material: screw made of steel, plug made of PA (polyamide), grey

Part No	L	HØ (mm)	Pack 1
085 4 301	40 mm	Ø 6 mm	25

BIS starQuick® Rail



Features and Benefits

- for fixing of two or more pipes with BIS starQuick® Clamps without nut
- the BIS starQuick® Clamp is fixed to the rail using the BIS starQuick® Rail Adaptor (Part No. 085 4 313)
- material: PVC (polyvinylchloride), grey (according to RAL 7035)

Part No	L	Pack 1
085 4 316	150 mm	50
085 4 325	1 m	25

BIS starQuick® Rail Adaptor



Features and Benefits

- suitable for BIS starQuick® Clamps up to SQ-32
- for fixing of a BIS starQuick® Clamp (without nut) on a BIS starQuick® Rail or on a Strut-Adaptor (Part No. 085 4 331)
- material: modified PA6 (polyamide), grey (according to RAL 7035)

Part No	For	Pack 1
085 4 313	BIS starQuick®	20

BIS starQuick® Universal Rail Adaptor



Features and Benefits

- for fixing BIS starQuick® Clamps to BIS RapidRail® or Strut Rail
- to add pipework quickly and simply to an existing installation
- suitable for SQ-10 up to SQ-51
- material: modified PA6 (polyamide), grey (according to RAL 7035)

Part No	For Rail	Pack 1
085 4 332	WMO - 35 + Strut	50

BIS starQuick® Fixing Nut



Features and Benefits

- to make a threaded connection in a BIS starQuick® Clamp
- entirely integrated in clamp (not protruding)
- material: PC (polycarbonate), grey or white
- no corrosion
- temperature resistance from approx. -35 °C to approx. +110 °C (constant); short to approx. +125 °C

Part No	G	Colour	Pack 1
085 4 006	M6	Grey (RAL 7035)	100
085 5 006	M6	White (RAL 9003)	100
085 4 308	M8	Grey (RAL 7035)	100

BIS starQuick® Push Plug



Features and Benefits

- for fixing of a BIS starQuick® Clamp or other clamp with thread connection M6
- pre-drill hole Ø 6 mm and insert plug
- material: modified PA6 (polyamide), grey (according to RAL 7035)

Part No	G	L	Pack 1
610 1 063	M6	30 mm	50

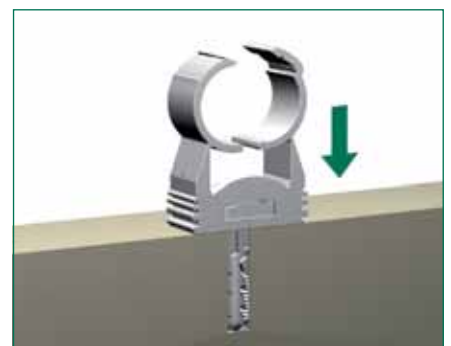
BIS starQuick® Hammerfix



Features and Benefits

- Part No. 085 4 338: for fixing of a BIS starQuick® Clamp on steel rail with a 15 mm slot (e.g. WM0, 1, 15, 2, 30 or 35)
- material: metal parts made of steel 1.0332; spring(s) made of POM (polyoxymethylene), green
- zinc plated

Part No	G	For Rail	Pack 1
085 4 338	M8	WM0 - 35	50



Metal Pipe Clamps



Metal Pipe Clamps

2S Clamp with Lining (M8/10)



RAL
certificate pending

Features and Benefits

- standard two-screw clamp
- for every day use on steel, copper or multilayer pipes
- gapless range from Ø 10-225mm
- rubber lining grips in steel parts to prevent sliding of the lining
- screws secured with anti-loss washer
- medium safe load according to RAL GZ-655
- material: steel
- zinc plated
- noise insulating lining, EPDM rubber, black
- age resistant lining
- sound insulating lining according DIN 4109

Part No	D (mm)	D (")	G	Pack 1
3343 5 014	10 - 14	- 1/4	M8/10	50
3343 5 019	15 - 19		M8/10	50
3343 5 024	20 - 24	1/2	M8/10	50
3343 5 030	25 - 30	3/4	M8/10	50
3343 5 037	31 - 37	1	M8/10	50
3343 5 046	38 - 46	1 1/4	M8/10	50
3343 5 052	47 - 52	1 1/2	M8/10	50
3343 5 061	53 - 61	2	M8/10	50
3343 5 067	62 - 67	-	M8/10	50
3343 5 074	68 - 74	-	M8/10	50
3343 5 081	75 - 81	2 1/2	M8/10	50
3343 5 087	82 - 87	-	M8/10	50
3343 5 095	88 - 95	3	M8/10	50
3343 5 103	96 - 103	-	M8/10	50
3343 5 112	104 - 112	-	M8/10	25
3343 5 118	113 - 118	4	M8/10	25
3343 5 127	119 - 127	-	M8/10	25
3343 5 137	128 - 137	-	M8/10	25
3343 5 144	138 - 144	5	M8/10	25
3343 5 153	145 - 153	-	M8/10	25
3343 5 162	154 - 162	-	M8/10	15
3343 5 172	163 - 172	6	M8/10	15
3343 5 183	173 - 183	-	M8/10	15
3343 5 194	184 - 194	-	M8/10	15
3343 5 205	195 - 205	-	M8/10	15
3343 5 216	206 - 216	-	M8/10	10
3343 5 225	217 - 225	8	M8/10	10

2S Clamp (M8/10)



RAL
certificate pending

Features and Benefits

- standard two-screw clamp
- for fixing insulated steel or copper pipes
- gapless range from Ø 10-225mm
- screws secured with anti-loss washers
- material: steel
- zinc plated
- medium safe load according to RAL GZ-655w

Part No	D (mm)	D (")	G	Pack 1
3303 5 014	10 - 14	- 1/4	M8/10	50
3303 5 019	15 - 19		M8/10	50
3303 5 024	20 - 24	1/2	M8/10	50
3303 5 030	25 - 30	3/4	M8/10	50
3303 5 037	31 - 37	1	M8/10	50
3303 5 046	38 - 46	1 1/4	M8/10	50
3303 5 052	47 - 52	1 1/2	M8/10	50
3303 5 061	53 - 61	2	M8/10	50
3303 5 067	62 - 67	-	M8/10	50
3303 5 074	68 - 74	-	M8/10	50
3303 5 081	75 - 81	2 1/2	M8/10	50
3303 5 087	82 - 87	-	M8/10	50
3303 5 095	88 - 95	3	M8/10	50
3303 5 103	96 - 103	-	M8/10	50
3303 5 112	104 - 112	-	M8/10	25
3303 5 118	113 - 118	4	M8/10	25
3303 5 127	119 - 127	-	M8/10	25
3303 5 137	128 - 137	-	M8/10	25
3303 5 144	138 - 144	5	M8/10	25
3303 5 153	145 - 153	-	M8/10	25
3303 5 162	154 - 162	-	M8/10	25
3303 5 172	163 - 172	6	M8/10	25
3303 5 183	173 - 183	-	M8/10	15
3303 5 194	184 - 194	-	M8/10	15
3303 5 205	195 - 205	-	M8/10	15
3303 5 216	206 - 216	-	M8/10	15
3303 5 225	217 - 225	8	M8/10	10

Bifix® G2 with Lining (M8/10) (BUP1000)



RAL
certificate pending

Features and benefits

- advanced two-screw clamp with premium design
- quick closing mechanism
- 2 component EPDM lining provides easy positioning of the pipe during installation
- when the clamp is closed, the pipe rests on soft black rubber lining for increased noise reduction
- sound insulating lining according to DIN4109
- advanced geometry for increased strength
- medium to high safe load according to RAL GZ-655 and RAL GZ-656
- material: steel
- surface protection:
 - product is part of the BIS UltraProtect® 1000 system
 - suitable for in- and outdoor applications
 - stands min. 1,000 hours salt spray test (max. 5% red rust) according to ISO 9227



Part No	D (mm)	D (")	DN	G	Pack 1
3108 5 014	10 - 14	1/4	8	M8/10	50
3108 5 019	15 - 19		10	M8/10	50
3108 5 023	20 - 23	1/2	15	M8/10	50
3108 5 028	25 - 28	3/4	20	M8/10	50
3108 5 035	31 - 35	1	25	M8/10	50
3108 5 039	36 - 39	-	-	M8/10	50
3108 5 045	40 - 45	1 1/4	32	M8/10	50
3108 5 052	48 - 52	1 1/2	40	M8/10	50
3108 5 058	54 - 58	-	-	M8/10	50
3108 5 064	60 - 64	2	50	M8/10	50
3108 5 070	66 - 70	-	-	M8/10	50
3108 5 079	75 - 79	2 1/2	65	M8/10	50
3108 5 083	80 - 83	-	-	M8/10	50
3108 5 091	88 - 91	3	80	M8/10	25
3108 5 097	92 - 97	-	-	M8/10	25
3108 5 105	100 - 105	-	-	M8/10	25
3108 5 115	108 - 115	4	100	M8/10	25
3108 5 130	125 - 130	-	-	M8/10	25
3108 5 140	133 - 140	5	125	M8/10	25
3108 5 160	152 - 160	-	-	M8/10	25
3108 5 169	165 - 169	6	150	M8/10	10
3128 5 180	176 - 180	-	-	M10	15
3128 5 200	192 - 200	-	-	M10	15
3128 5 210	205 - 210	-	-	M10	10
3128 5 225	219 - 225	8	200	M10	10

Ideal used with load-bearing insulated pipe supports

Bifix® G2 (M8/10) (BUP1000)

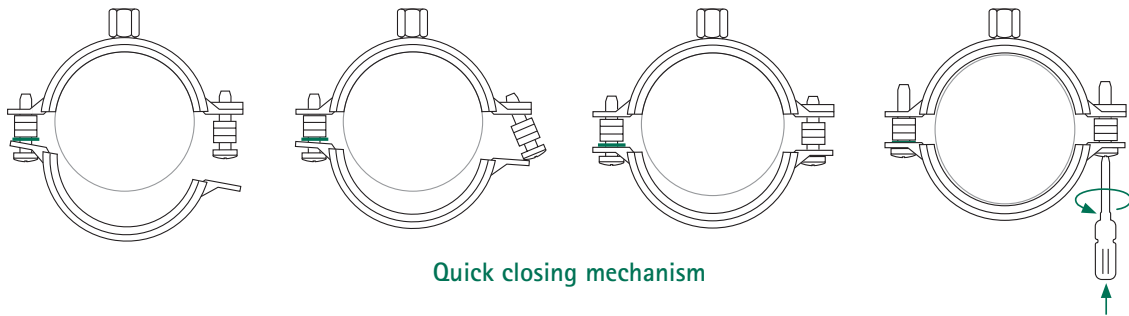


RAL
certificate pending

Features and Benefits

- advanced two-screw clamp with premium design
- for fixing insulated steel or copper pipe
- with quick closing mechanism
- advanced geometry for increased strength
- material: steel
- surface protection:
 - product is part of the BIS UltraProtect® 1000 system
 - suitable for in- and outdoor applications
 - stands min. 1,000 hours salt spray test (max. 5% red rust) according to ISO 9227
- medium to high safe load according to RAL GZ-655 and RAL GZ-656
- tested for fire safety

Part No	D (mm)	D (")	DN	G	Pack 1
300 8 014	10 - 14	1/4	8	M8/10	50
300 8 019	15 - 19		10	M8/10	50
300 8 023	20 - 23	1/2	15	M8/10	50
300 8 028	25 - 28	3/4	20	M8/10	50
300 8 035	31 - 35	1	25	M8/10	50
300 8 039	36 - 39	-	-	M8/10	50
300 8 045	40 - 45	1 1/4	32	M8/10	50
300 8 052	48 - 52	1 1/2	40	M8/10	50
300 8 058	54 - 58	-	-	M8/10	50
300 8 064	60 - 64	2	50	M8/10	50
300 8 070	66 - 70	-	-	M8/10	50
300 8 079	75 - 79	2 1/2	65	M8/10	50
300 8 083	80 - 83	-	-	M8/10	50
300 8 091	88 - 91	3	80	M8/10	50
300 8 105	100 - 105	-	-	M8/10	50
300 8 115	108 - 115	4	100	M8/10	25
300 8 130	125 - 130	-	-	M8/10	25
300 8 140	133 - 140	5	125	M8/10	25
300 8 160	152 - 160	-	-	M8/10	25
300 8 169	165 - 169	6	150	M8/10	25
300 8 180	176 - 180	-	-	M8/10	15
300 8 200	192 - 200	-	-	M8/10	15
300 8 210	205 - 210	-	-	M8/10	15
300 8 225	219 - 225	8	200	M8/10	15



Quick closing mechanism

Bifix® 5000 G2 (BUP1000)



RAL
certificate pending

Features and Benefits

- advanced two-screw clamp with premium design
- for installing all types of plastic pipes
- with quick closing mechanism
- with removable spacer washers for either sliding or anchoring
- material: steel
- surface protection:
 - product is part of the BIS UltraProtect® 1000 system
 - suitable for in- and outdoor applications
 - stands min. 1,000 hours salt spray test (max. 5% red rust) according to ISO 9227
- noise insulating lining, EPDM rubber, green
- inner part of lining is flush to improve sliding of pipe in clamp
- age resistant lining
- sound insulating lining according DIN 4109
- medium to high safe load according to RAL GZ-655 and RAL GZ-656

Part No	D (mm)	G	Pack 1
318 8 016	16	M8/10	50
318 8 020	20	M8/10	50
318 8 025	25	M8/10	50
318 8 032	32	M8/10	50
318 8 040	40	M8/10	50
318 8 050	50	M8/10	50
318 8 056	56	M8/10	50
318 8 063	63	M8/10	50
318 8 075	75	M8/10	50
318 8 090	90	M8/10	25
318 8 110	110	M8/10	25
318 8 125	125	M8/10	25
318 8 135	135	M8/10	25
318 8 160	160	M8/10	10
318 8 200	200	M8/10	10

BISMAT® Flash



Features and benefits

- single screw, fast-fit clamp
- with BISMAT® Flash quick locking system
- clamp easy to close with one hand
- the locking screw can be secured without use of tools
- material: steel
- zinc plated
- noise insulating lining, EPDM rubber, black
- age resistant lining
- sound insulating lining according DIN 4109
- optimised noise insulation due to soft closing without tools

Part No	D (mm)	D (")	G	RAL	Pack 1
337 4 018	15 - 18		M8/10	RAL ²	50
337 4 023	20 - 23	1/2	M8/10	RAL ²	50
337 4 028	25 - 28	3/4	M8/10	RAL ²	50
337 4 035	32 - 35	1	M8/10	RAL ²	50
337 4 043	40 - 43	1 1/4	M8/10	RAL ²	50
337 4 051	48 - 51	1 1/2	M8/10	RAL ²	50
337 4 056	53 - 56	-	M8/10	RAL ²	50
337 4 063	57 - 63	2	M8/10	RAL ²	50

RAL² = tested, certified and monitored by a third party according to RAL-GZ 655/B and RAL-GZ 656.

For detailed technical information about our RAL marked products, please see the RAL datasheet in our web catalogue.

BISMAT® Flash



Insert pipe



Close clamp / push screw



Done!

BIS RapidRail® Fixing System

Fast and easy fixing



BIS RapidRail® Fixing System

BIS RapidRail® Fixing Rail



Features and Benefits

- C-profile
- for a quick and easy fixing
- with continuous perforation (on request without perforation)
- distance between rail end and first hole is always equal
- a continuous graduated centimetre scale on one side
- unique perforation on rail WM15, WM30 and WM35 allows for hanging on both sides
- material: steel 1.0242
- yield strength 240 N/mm²
- pre-galvanized



RAL-GZ 655/C
Cert.Nr. 2012-03

Part No	Type	L	B (mm)	H (mm)	RAL	Bundle (m)
650 5 000	WM0	2 m	27	18	RAL ¹	20
650 5 300	WM0	3 m	27	18	RAL ¹	30
650 5 600	WM0	6 m	27	18	RAL ¹	60
650 5 001	WM1	2 m	30	15	RAL ¹	20
650 5 301	WM1	3 m	30	15	RAL ¹	30
650 5 601	WM1	6 m	30	15	RAL ¹	60
650 5 015	WM15	2 m	30	20	RAL ¹	20
650 5 315	WM15	3 m	30	20	RAL ¹	30
650 5 615	WM15	6 m	30	20	RAL ¹	60
650 5 002	WM2	2 m	30	30	RAL ¹	20
650 5 302	WM2	3 m	30	30	RAL ¹	30
650 5 602	WM2	6 m	30	30	RAL ¹	60
650 5 030	WM30	2 m	30	45	RAL ¹	20
650 5 630	WM30	6 m	30	45	RAL ¹	60
650 5 235	WM35	2 m	38	40	-	20
650 5 335	WM35	3 m	38	40	-	30
650 5 635	WM35	6 m	38	40	-	60

RAL¹ = tested, certified and monitored by a third party according to RAL-GZ 655/C.

For detailed technical information about our RAL marked products, please see the RAL datasheet in our web catalogue.

BIS RapidRail® Cantilever Arm (BUP1000)



Features and Benefits

- wall plate with welded C-profile
- perfectly suitable for hanging to the ceiling
- slots at 90° to each other to simplify fixing
- CO2 welded
- a continuous graduated centimetre scale on one side
- unique perforation on rail WM15, WM30 and WM35 allows for hanging on both sides
- material: steel
- surface protection:
 - product is part of the BIS UltraProtect® 1000 system
 - suitable for in- and outdoor applications
 - stands min. 1,000 hours salt spray test (max. 5% red rust) according to ISO 9227

Part No	L	For rail	Pack 1
660 3 015	150 mm	WM0 - 27x18	20
660 3 019	200 mm	WM0 - 27x18	20
660 3 030	300 mm	WM0 - 27x18	20
660 3 050	500 mm	WM0 - 27x18	20
660 3 715	150 mm	WM15 - 30x20	20
660 3 720	200 mm	WM15 - 30x20	20
660 3 725	250 mm	WM15 - 30x20	20
6603 6 820	200 mm	WM35 - 38x40	10
6603 6 825	250 mm	WM35 - 38x40	10
6603 6 835	350 mm	WM35 - 38x40	10
6603 6 840	400 mm	WM35 - 38x40	10
6603 6 850	500 mm	WM35 - 38x40	10

More sizes of cantilever arms are available. See our on-line catalogue for the full range.

BIS RapidRail® Wall Plate



Features and Benefits

- U-profile welded on wall plate
- for wall fixing of rail
- rail can be fixed with slot downwards or sideways
- slots at 90° to each other to simplify fixing
- with pre-assembled BIS RapidRail® Sliding nut(s) for a quick fixing, and retains assembly in place before final tightening
- material: metal parts made of steel 1.0332; spring(s) made of POM (polyoxymethylene), green
- zinc plated

Part No	For Rail	Pack 1
661 3 200	WM0 - 30	25
661 3 235	WM35	25

BIS RapidRail® Wall Plate (Hinged)



Features and Benefits

- wall plate with hinging U-profile
- also used to strengthen rail constructions
- for fixing of rail to sloping walls
- material: steel
- zinc plated

Part No	For Rail	Pack 1
661 3 250	WM1 - 30	20

BIS RapidRail® Slide Nut



Features and Benefits

- slide nut with washer and BIS RapidRail® spring
- pre-assembled for quick fixing
- material: metal parts made of steel 1.0332; spring(s) made of POM (polyoxymethylene), green
- zinc plated

Part No	G	For Rail	Pack 1
651 3 106	M6	WM0 - 35	50
651 3 108	M8	WM0 - 35	50
651 3 110	M10	WM0 - 35	50



BIS RapidRail® Hammerfix

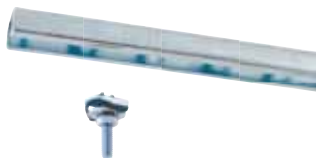


Features and Benefits

- slide nut with stud bolt, washer and BIS RapidRail® spring
- suitable for WMO, 1, 15, 2, 30, 35
- ready-to-use pre-assembled for a quick fixing, and retains assembly in place before final tightening
- material: metal parts made of steel 1.0332; spring(s) made of POM (polyoxymethylene), green
- zinc plated

Part No	G	L	Pack 1
652 3 602	M6	20 mm	25
652 3 603	M6	30 mm	25
652 3 604	M6	40 mm	25
652 3 802	M8	25 mm	25
652 3 803	M8	30 mm	25
652 3 804	M8	40 mm	25
652 3 805	M8	50 mm	25
652 3 806	M8	60 mm	25
652 3 807	M8	70 mm	25
652 3 808	M8	80 mm	25
652 3 809	M8	90 mm	25
652 3 810	M8	100 mm	25
652 3 812	M8	120 mm	25
652 3 815	M8	150 mm	25
652 3 818	M8	180 mm	25
652 3 820	M8	200 mm	25
652 3 002	M10	25 mm	25
652 3 003	M10	30 mm	25
652 3 004	M10	40 mm	25
652 3 005	M10	50 mm	25
652 3 006	M10	60 mm	25
652 3 008	M10	80 mm	25
652 3 010	M10	100 mm	25
652 3 016	M10	160 mm	25

Installation Guide



1. Insert



2. Turn 1/4 stroke



3. Slide



4. Lock

BIS RapidRail® Ball Swivel Hanger



Features and Benefits

- slide nut with ball swivel hanger, washer and BIS RapidRail® spring
- recommended for metal pipes up to DN 50, plastic pipes up to DN 100
- suitable for WMO, 1, 15, 2, 30, 35
- with inspection hole to check screw-in depth (attention: when the threaded rod is screwed-in too deep, the ball swivel is blocked)
- material: metal parts made of steel 1.0332; spring(s) made of POM (polyoxymethylene), green
- zinc plated



Part No	G	L	For Rail	RAL	Pack 1
652 0 100	M8	45 mm	WMO - 35	RAL ¹	25
652 0 200	M8	70 mm	WMO - 35	RAL ¹	25
652 0 110	M10	45 mm	WMO - 35	RAL ¹	25
652 0 210	M10	70 mm	WMO - 35	RAL ¹	25

RAL¹ = tested, certified and monitored by a third party according to RAL-GZ 655/D in combination with Rail WM1, 2, 15 and 30.

For detailed technical information about our RAL marked products, please see the RAL datasheet in our web catalogue.

Please note. Always use 2 ball swivel hangers (see application picture). The maximum length change that can be dealt with, depends on the fixing distance (ceiling - pipe). The height difference that occurs as a result, needs to be taken into consideration.

BIS RapidRail® Connector 90°



Features and Benefits

- connector with pre-assembled BIS RapidRail® Slide nut(s)
- to make rail fabrications
- material: metal parts made of steel 1.0332; spring(s) made of POM (polyoxymethylene), green
- zinc plated



Part No	Model	For Rail	RAL	Pack 1
658 4 001	Long / long	WMO - 35	RAL ¹	25
658 4 002	Short / long	WMO - 35	RAL ¹	25
658 4 003	Short / short	WMO - 35	RAL ¹	25
658 4 011	Long / long	WMO - 35	RAL ¹	25

RAL¹ = tested, certified and monitored by a third party according to RAL-GZ 655/D in combination with Rail WM1, 2, 15 and 30.

For detailed technical information about our RAL marked products, please see the RAL datasheet in our web catalogue.

BIS RapidRail® Connector 135°



Features and Benefits

- connector with pre-assembled BIS RapidRail® Slide nut(s)
- to make rail fabrications
- with pre-assembled BIS RapidRail® Sliding nut(s) for a quick fixing, and retains assembly in place before final tightening
- material: metal parts made of steel 1.0332; spring(s) made of POM (polyoxymethylene), green
- zinc plated



Part No	Model	For Rail	RAL	Pack 1
658 4 051	Long / long	WMO - 35	RAL ¹	25
658 4 052	Short / long	WMO - 35	RAL ¹	25
658 4 053	Short / short	WMO - 35	RAL ¹	25

RAL¹ = tested, certified and monitored by a third party according to RAL-GZ 655/D in combination with Rail WM1, 2, 15 and 30.

For detailed technical information about our RAL marked products, please see the RAL datasheet in our web catalogue.

BIS RapidRail® Connector



Features and Benefits

- connector with pre-assembled BIS RapidRail® Slide nut(s)
- ready-to-use pre-assembled for a quick fixing, and retains assembly in place before final tightening
- material: metal parts made of steel 1.0332; spring(s) made of POM (polyoxymethylene), green
- zinc plated



Part No	For Rail	RAL	Pack 1
654 3 001	WMO - 35	RAL ¹	25

RAL¹ = tested, certified and monitored by a third party according to RAL-GZ 655/D in combination with Rail WM1, 2, 15 and 30.

For detailed technical information about our RAL marked products, please see the RAL datasheet in our web catalogue.

BIS RapidRail® T- and X-Connector



Features and Benefits

- connector with pre-assembled BIS RapidRail® Slide nut(s)
- ready-to-use pre-assembled for a quick fixing, and retains assembly in place before final tightening
- material: metal parts made of steel 1.0332; spring(s) made of POM (polyoxymethylene), green
- zinc plated

Part No	Type	For Rail	RAL	Pack 1
658 4 090	T	WM0 - 35	RAL ¹	25
658 4 091	X	WM0 - 35	RAL ¹	25

RAL¹ = tested, certified and monitored by a third party according to RAL-GZ 655/D in combination with Rail WM1, 2, 15 and 30.

For detailed technical information about our RAL marked products, please see the RAL datasheet in our web catalogue.

BIS RapidRail® Cross Connector



Features and Benefits

- connector with pre-assembled BIS RapidRail® Slide nut(s)
- ready-to-use pre-assembled for a quick fixing, and retains assembly in place before final tightening
- material: metal parts made of steel 1.0332; spring(s) made of POM (polyoxymethylene), green
- zinc plated

Part No	For Rail	RAL	Pack 1
658 4 152	WM15	RAL ¹	25
658 4 153	WM2	-	25
658 4 156	WM35	-	25

RAL¹ = tested, certified and monitored by a third party according to RAL-GZ 655/D in combination with Rail WM1, 2, 15 and 30.

For detailed technical information about our RAL marked products, please see the RAL datasheet in our web catalogue.

BIS Rail End Cap



Features and Benefits

- for clean finishing of rail end, covers all burrs
- easy to fix securely
- material: PE (polyethylene)

Part No	For Rail	Colour	Pack 1
656 6 000	WM0 (27x18 mm), WM15 (30x20 mm)	Green	50
656 6 001	WM1 (30x15 mm)	Green	50
656 6 002	WM2 (30x30 mm)	Green	25
656 6 035	WM35 (38x40 mm)	Green	20

Light Duty Plugs and Anchors

WUP Uni Plug



Features and Benefits

- high load capacity
- can be used with wood screws, chipboard screws and metric bolts
- suitable for variety of substrates
- does not slip past collar in deep holes
- does not expand prematurely
- resists rotation in holes
- Application:
 - shelves
 - wall-mounted cabinets
 - sanitary fixings
 - HVAC and plumbing fixings
- material: high quality PA6 polyamide

Part No	L	do (mm)	ho (mm)	is,min (mm)	Pack 1
610 0 706	30 mm	6	40	34	100
610 0 708	40 mm	8	50	44	100
610 0 710	50 mm	10	70	54	50
610 0 712	60 mm	12	70	64	25

Given recommended tension loads have been reached using a maximum diameter wood screw and include a safety factor of 5.

WEP Expansion Plug



Features and Benefits

- can be used with wood screws, chipboard screws and metric bolts
- suitable for variety of substrates
- does not expand prematurely
- resists rotation in holes
- Application:
 - shelves
 - wall-mounted cabinets
 - sanitary fixings
 - HVAC and plumbing fixings
- material: high quality PA6 polyamide

Part No	L	do (mm)	ho (mm)	Pack 1
6100 1 005	25 mm	5	35	100
6100 1 006	30 mm	6	40	100
6100 1 008	40 mm	8	55	100
6100 1 010	50 mm	10	65	50
6100 1 012	60 mm	12	80	25
6100 1 014	70 mm	14	90	20

Given recommended tension loads have been reached using a maximum diameter wood screw and include a safety factor of 5.

Find out more!

Visit our website walraven.com to view our full product range online and to find out more about the products and services we offer. To speak to our Internal Sales Team please call **01295 753400**.

Request a catalogue or product sample

Alongside the products in this brochure, we manufacture a wider range of pipe fixings, electrical fixings, anchors and more. We have three other catalogues available that cover our entire product range:

- Britclips® Electrical Fixings catalogue
- Mechanical and Electrical catalogue
- Heavy Duty Anchors catalogue

If you have not yet tried the RSWB or starQuick® clips which feature in this brochure, we would be happy to send you a sample so you can try them for yourself.

To request a catalogue or product sample, please visit walraven.com/en/requests

Where to buy

Our products are sold mainly through fixings companies, electrical wholesalers and a few plumbing merchants.

The **RSWB** is widely available through electrical wholesalers and fixings distributors nationwide plus it can be purchased online from www.directchannel.uk.com.

The **starQuick**® clips are available through some of our fixings merchants or to purchase online through www.directchannel.uk.com, www.jpldirect.co.uk, or www.pipekit.co.uk

The **RapidRail**® system is available through our fixings merchants or again can be purchased online from www.jpldirect.co.uk

For more information on our stockists in your area, please call us on **01295 753400**.

United Kingdom Ireland

Walraven Ltd.

Thorpe Way, Banbury (GB)
Oxon, OX16 4UU
Tel. +44 (0)1295 75 34 00
Fax +44 (0)1295 75 34 28
sales.uk@walraven.com

Walraven Group

Mijdrecht (NL) · Tienen (BE) · Bayreuth (DE)
Banbury (GB) · Malmö (SE) · Grenoble (FR)
Barcelona (ES) · Kraków (PL) · Mladá
Boleslav (CZ) · Moscow (RU) · Kyiv (UA)
Detroit (US) · Shanghai (CN) · Dubai (AE)
Budapest (HU) · Mumbai (IN)

