

# Walraven Strut Wandstuk

(H 12 50)

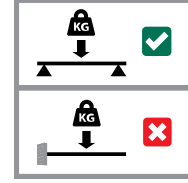
bevestiging aan de wand



6658 3 801

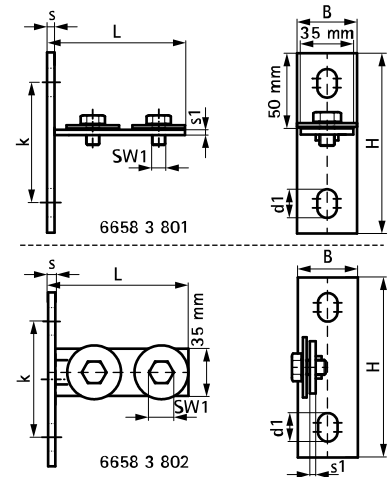


6658 3 802



## Voordelen en kenmerken

- voor een snelle installatie
- materiaal: staal 1.0332
- ideal for fastening RapidStrut® Fixing Rails as traverses in shafts or racks
- suitable for rails type 21, 41 or 21 Double
- with pre-assembled screws M10x16mm / SW17 and washers 10,5x40mm
- elektrolytisch verzinkt



Art.nr.	Model	L	B	H	s	s1	d1	k	T <sub>(inst.)</sub>	F <sub>a,y</sub>	F <sub>a,y2</sub>	F <sub>a,x</sub>	F <sub>a,x 2</sub>	VPE 1
		(mm)	(mm)	(mm)	(mm)	(mm)	(mm)	(mm)	(Nm)	(N)	(N)	(N)	(N)	
66583801	Horizontaal	104 mm	40	120	5,0	4,0	19 x 13	80	15,0	4.280*	9.880**	1.760*	1.980**	25
66583802	Verticaal	104 mm	40	120	5,0	4,0	19 x 13	80	15,0	4.280*	9.880**	1.760*	1.980**	25

\* F<sub>a,y</sub> and F<sub>a,x</sub> fixed on rail type L (1,5mm thickness) with M12 and 25Nm.

\*\* F<sub>a,y2</sub> and F<sub>a,x2</sub> fixed on rail type H (2,5mm thickness) with M12 and 35Nm.