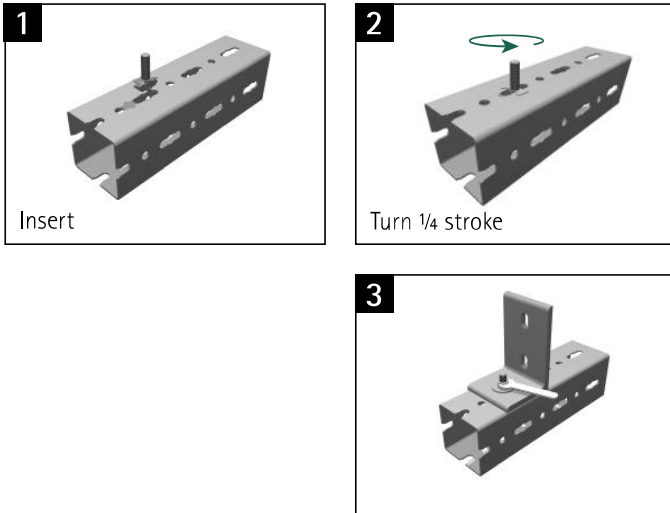


Data sheet

Maxx Heavy rail profiles and accessories

- Table of rail section properties
- Perforation pattern
- Use of rail load tables
- Rail load tables



The Maxx system consists of two rail profiles and an extensive range of accessories, including nuts, T-bolt assemblies and various rail connectors.

Insert, lock, done

T-bolts are assembled which makes them easy to install in perforation of the profile.

Your benefits:

- for all medium and heavy profile applications
- quick and easy fixing to the profile
- saves you fixing time

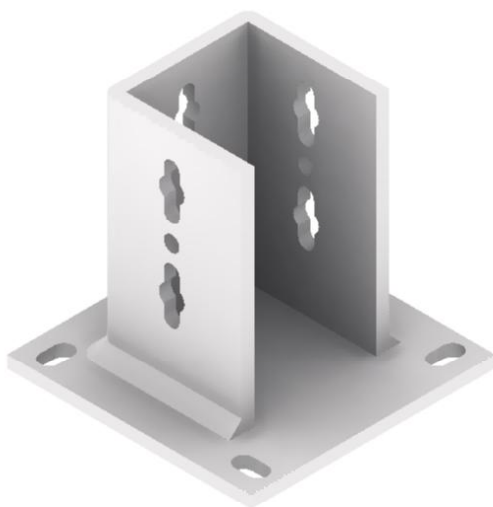
A fitting profile for each application

The Maxx system offers mounting profiles in two sizes:

- all Maxx profiles (length 6 mtr.)
- profile wall plate

Maxx accessories

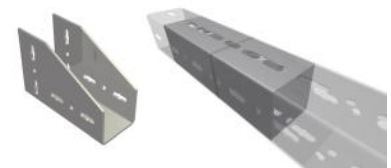
Maxx offers accessories for:

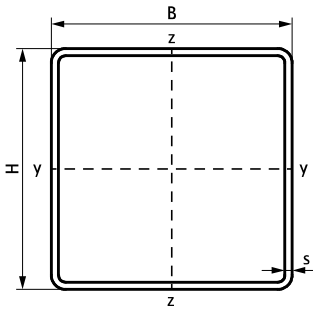


■ Pipe fixing



■ Profile connection



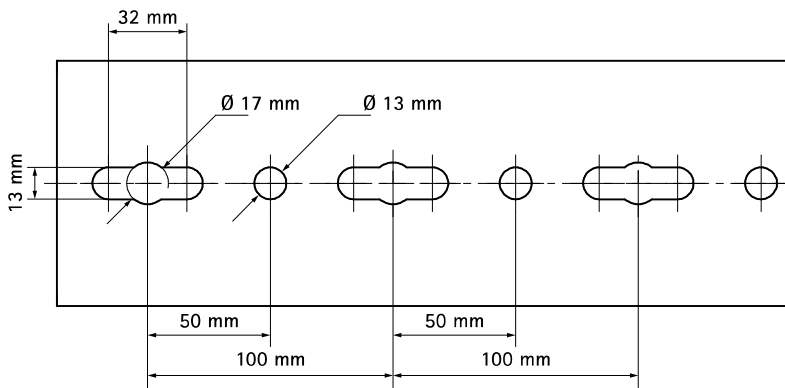


Profile size			Unit Weight	Cross Section Area	Section Modulus of Torsion	Torsion Moment of Inertia	Geometrical Moment of Inertia		Geometrical Section Modulus	
H	B	s					I_y	I_z	W_y	W_z
mm	mm	mm	kg	mm ²	cm ³	cm ⁴	cm ⁴	cm ⁴	cm ³	cm ³
100.00	100.00	3.00	8.16	974.50	55.70	85.40	155.98	155.98	31.20	31.20
120.00	100.00	4.00	11.94	1,433.06	88.20	126.10	308.30	235.65	51.38	47.13

Perforation pattern for fixing to ceiling or wall.

Distance between profile end and first hole is always equal.

Maxx IP 100, IP 120



Calculation method

The published safe working loads are based on tests with perforated (slotted) profile. For non perforated profile the safe working loads can be taken as 20 % higher.

Loads are calculated taking into consideration a maximum deflection (f) of length $1/200 \times L$ and a maximum bending stress of 160 N/mm^2 .

1 N (Newton) = 0,102 kg

1 kg = 9,8 N (Newton)

Fixing of profiles to walls or ceilings

The strength of the anchoring of the profile has not been taken into consideration. The installer must verify that the bolts and wall plugs used are suitable for the maximum permitted loading of the profile.

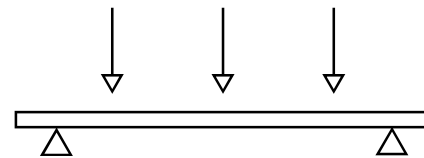
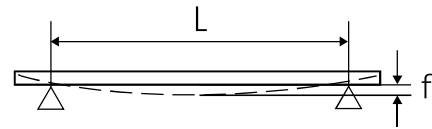
Reading the profile loading tables

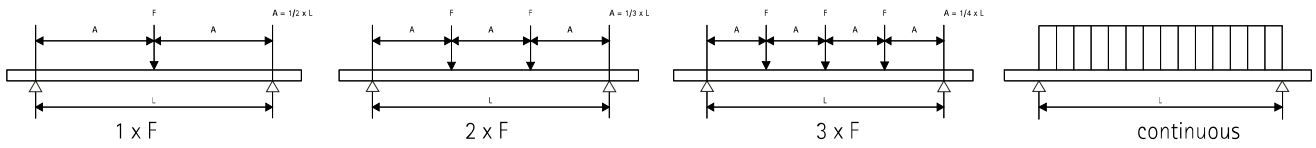
The stated values are only valid for the fixing profile. The maximum safe load of all other construction parts have to be verified. The stated maximum safe load is calculated for a static load at free bending support.

Where the segment is marked with a hyphen, the stated length cannot be safely loaded.

Special conditions

In case of doubt or for special conditions not stated in the loading tables, please do not hesitate to contact our technical department for their advice.



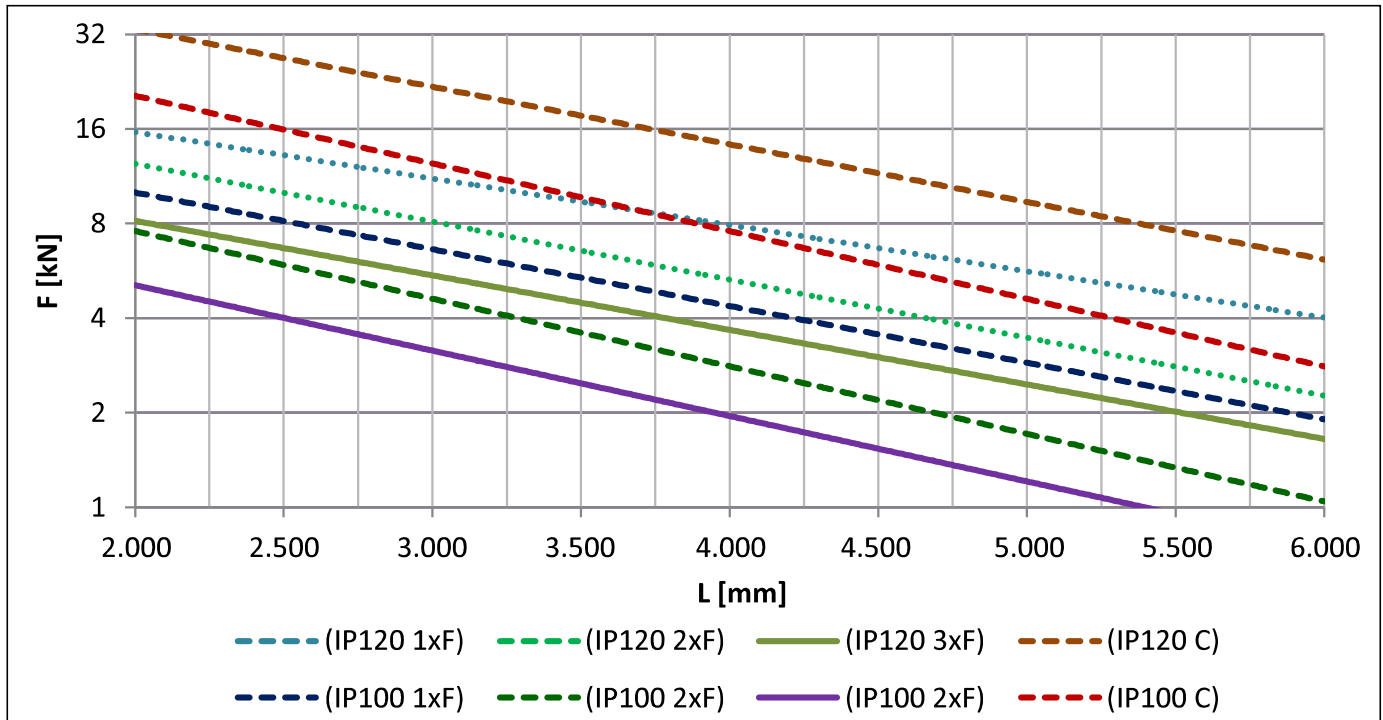


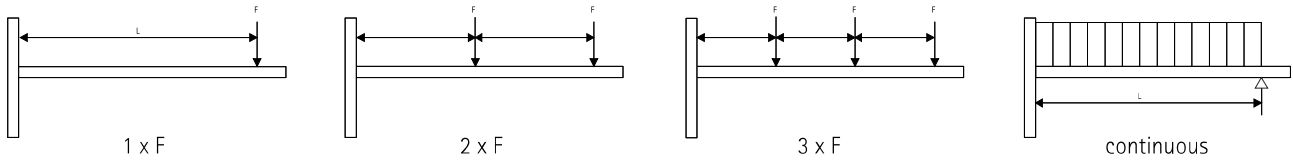
L (mm)	IP120	IP120	IP120	IP120	IP100	IP100	IP100	IP100
	1 x F	2 x F	3 x F	continuous	1 x F	2 x F	3 x F	continuous
2,000	16.30	12.20	8.15	32.60	9.90	7.40	4.95	19.80
2,250	14.45	10.85	7.20	28.91	8.75	6.55	4.35	17.55
2,500	13.00	9.75	6.50	26.00	7.85	5.90	3.90	15.75
2,750	11.75	8.80	5.85	23.51	7.15	5.35	3.55	14.30
3,000	10.75	8.05	5.35	21.45	6.50	4.90	3.25	13.05
3,250	9.90	7.40	4.95	19.83	6.00	4.25	3.00	11.54
3,500	9.15	6.85	4.55	18.38	5.55	3.65	2.60	9.98
3,750	8.50	6.30	4.25	17.06	5.15	3.15	2.25	8.63
4,000	7.95	5.50	3.95	15.00	4.70	2.75	1.95	7.40
4,250	7.45	4.85	3.45	13.18	4.10	2.40	1.70	6.59
4,500	7.00	4.30	3.05	11.70	3.65	2.10	1.50	5.85
4,750	6.50	3.80	2.75	10.45	3.20	1.90	1.35	4.99
5,000	5.80	3.40	2.45	9.25	2.85	1.65	1.20	4.50
5,250	5.25	3.05	2.20	8.40	2.55	1.50	1.05	3.94
5,500	4.70	2.75	1.95	7.43	2.30	1.35	0.95	3.58
5,750	4.25	2.50	1.80	6.61	2.05	1.20	0.85	3.16
6,000	3.85	2.25	1.60	6.00	1.85	1.10	0.75	3.00

Max. allowed load in kN. per suspension point (F).

The stated values are only valid for the fixing profile.

The maximum safe load of all other construction parts have to be verified.





L (mm)	IP120	IP120	IP120	IP120	IP100	IP100	IP100	IP100
	1 x F	2 x F	3 x F	continuous	1 x F	2 x F	3 x F	continuous
250	32.85	21.90	16.40	65.73	19.95	13.30	9.95	39.91
500	16.40	10.90	8.20	32.80	9.95	6.60	4.95	19.93
750	10.90	7.25	5.45	21.83	6.60	4.40	3.30	13.24
1,000	8.15	5.40	4.05	16.30	4.85	3.30	2.45	9.90
1,250	6.15	4.30	3.25	13.00	3.10	2.35	1.85	7.87
1,500	4.25	3.20	2.55	10.73	2.10	1.60	1.25	5.70
1,750	3.05	2.35	1.85	8.22	1.55	1.15	0.90	4.11
2,000	2.30	1.75	1.40	6.20	1.15	0.85	0.70	3.10
2,250	1.80	1.35	1.05	4.84	0.90	0.65	0.50	2.36
2,500	1.40	1.10	0.85	3.75	0.70	0.50	0.40	1.88
2,750	1.15	0.85	0.65	3.03	0.55	0.40	0.30	1.38
3,000	0.90	0.70	0.55	2.40	0.45	0.30	0.25	1.20

Max. allowed load in kN. per suspension point (F).

The stated values are only valid for the cantilever arm.

The maximum safe load of all other construction parts have to be verified.

