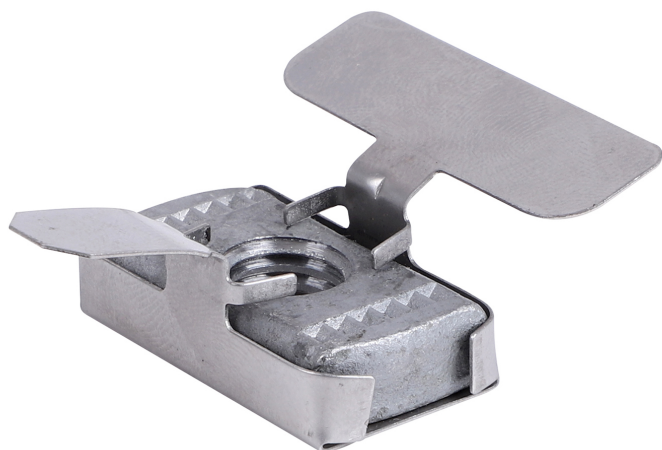


Walraven Maxx Wingnut

(H2 05 23)

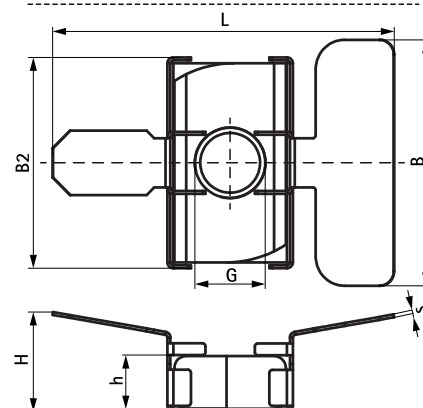
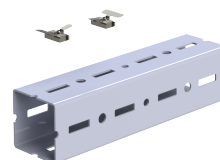
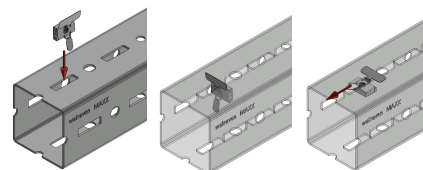
for connecting clamps and brackets to Maxx Heavy Rail Profiles



Features and benefits

- patented slide nut for connecting clamps, sliders or RapidStrut® Rails to Maxx Profiles
- advised to be used with threaded rods M12, washers 40mm and hexagon nuts M12
- to be used with thread adaptors for connecting clamps M16 or 1/2"
- material: slide nut made from steel 1.0332; aid tray made from stainless steel 1.4301
- slide nut: hot dip galvanized

| Part No. | Type | G | L | B | B2 | H | h | s | T _{inst} | F _{a,z} | F _{a,x} | Pack 1 |
|-----------|------|-----|------|------|------|------|------|------|-------------------|------------------|------------------|--------|
| | | | | (mm) | (mm) | (mm) | (mm) | (mm) | (Nm) | (N) | (N) | |
| 651867112 | WN | M12 | 58,3 | 42 | 36 | 17 | 9 | 0,5 | 50,0 | 11.400 | 2.100 | 40 |



Complementary

Walraven Maxx Binario profilato per carichi pesanti
Walraven Strut Rondella - piana (BUP1000)
BIS Dadi esagonali (BUP1000)

Complementary

BIS Slitta di scorrimento per carichi pesanti (BUP1000)
BIS Viti a testa esagonale (BUP1000)