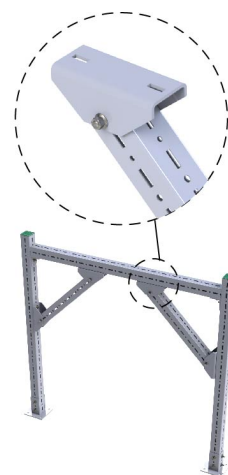
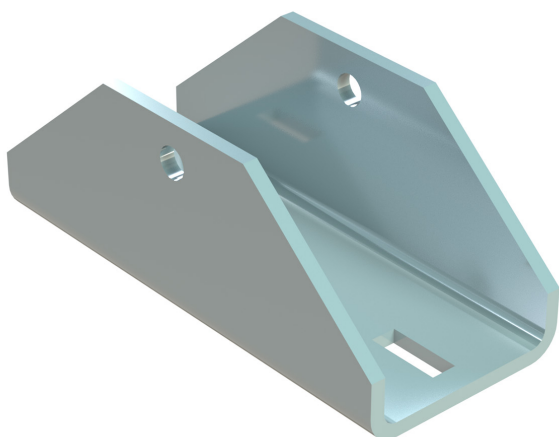


## Walraven Maxx Hinged Connector

(H2 05 20)

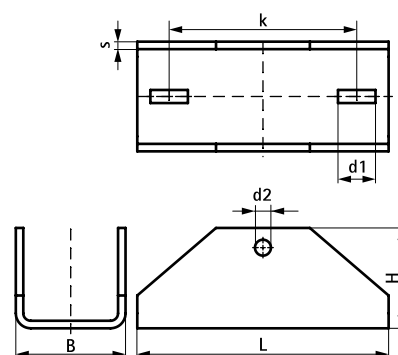
for hinged connections with Maxx profiles



### Features and benefits

- U-shaped plate for hinged connections made from Maxx Profiles 100x100 (MX100)
- applicable as bracing element for Maxx Profile constructions
- to be used in combination with profiles MX100 and Bolt Set M16x140mm (Part No. 614581614, to be ordered separately)
- material: steel 1.0044 (S275JR)
- galvanizzato a caldo

| Part No. | L      | B           | H           | s         | d1            | d2         | k           | For Rail | F <sub>a,z</sub><br>(N) | Pack 1 | App. |
|----------|--------|-------------|-------------|-----------|---------------|------------|-------------|----------|-------------------------|--------|------|
| 6581815  | 268 mm | 117<br>(mm) | 107<br>(mm) | 8<br>(mm) | 40x14<br>(mm) | 17<br>(mm) | 200<br>(mm) | MX100    | 14.100                  | 1      | pz   |



### Complementary

- Walraven Maxx Binario profilato per carichi pesanti
- Walraven Maxx Hammerfix
- Walraven Maxx Bullone con rondella (ZTD)