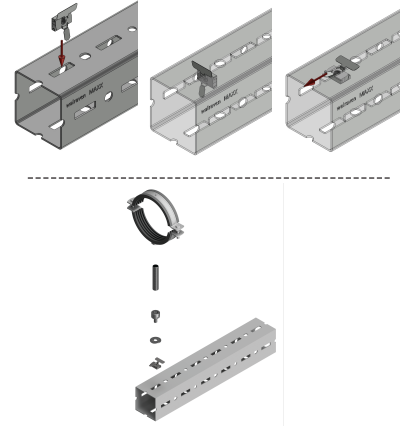


## Walraven Maxx Clamp Adaptor Set

(H2 05 24)

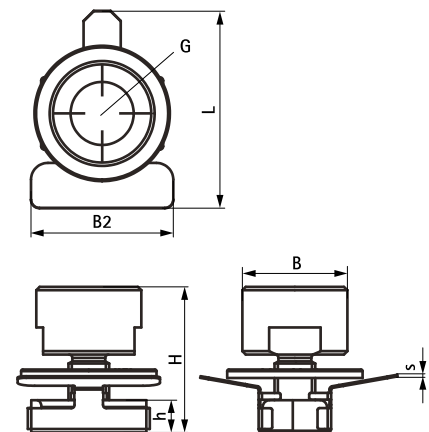
for connecting clamps to Maxx Heavy Rail Profiles



### Features and benefits

- patented slide nut pre-assembled with a big washer and a thread adaptor to connect Walraven Heavy Duty Clamps M16 or 1/2" to Walraven Maxx Heavy Rail Profiles
- advised to be used in combination with Walraven Heavy Duty Clamps HD1501 (M16, 1/2")
- material: slide nut made of steel 1.0332; adaptor made of steel 1.0718; aid tray made of stainless steel 1.4301
- slide nut: hot dip galvanized; washer and adaptor are part of the Walraven BIS UltraProtect® 1000 system

Part No.	Type	G	L	B	B2	H	h	s	T <sub>(inst.)</sub>	F <sub>a,z</sub>	F <sub>a,x</sub>	Pack 1
				(mm)	(mm)	(mm)	(mm)	(mm)	(Nm)	(N)	(N)	
651867116	CA	M16	58,3	28	42	43	9	0,5	50,0	11.400	2.100	25
651867121	CA	1/2"	58,3	31	42	43	9	0,5	50,0	11.400	2.100	25



### Complementary

Walraven Maxx Binario profilato per carichi pesanti  
 BIS Collare extra pesante HD1501 (BUP1000)