

Walraven Yeti® 335 H-Set with Rail (BUP1000)

(10411)

za instalacije na krovu

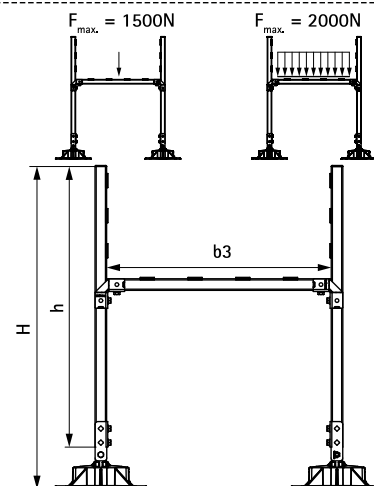


Prednosti i osobine

- complete set for supporting installation appliances on flat and low pitched roofs
- for quick installation of air duct channels on the roof
- adjustable to compensate roof pitch and 360° rotatable insert for flexibility in positioning
- sa anti kliznim, vibracionim matom
- predefined load capacity (see assembly instruction), calculation not necessary
- lajsne su napravljene od WPC materijala. WPC je kompozit od reciklirane plastike i drvenih vlakana
- otporan na UV zračenje i hemijskih uticaja
- UV-resistance according to EN ISO 16474-3:2014-02 - certified by ITB
- zaštita materijala:
 - proizvod je deo Walraven BIS UltraProtect® sistema
 - pogodan za unutrašnju i spoljašnu upotrebu
 - izdržava min. 1 000 sati sonog sprej testa (max. 5% crvene rdje) prema ISO standardu 9227
- noise reduction according to DIN EN ISO 10140-1 and DIN EN ISO 10140-3 up to 31 dB(A)
- Part No. 67685310 consisting of:
 - 2 x BIS Yeti® 335 including non-slip anti-vibration mat (made of rubber)
 - 3 x 1.0 m BIS RapidStrut® Fixing Rail 41|H (BUP1000)
 - 2 x BIS Yeti 335 Hinge (BUP1000)
 - 2 x BIS Strut Connector 90° / 2D (BUP1000)
 - 10 x BIS Strut Rubber Strip 50mm for noise insulating according DIN 4109
 - all connecting elements, rail end caps and bolts are included and most are pre-assembled



Nr. 1762-001-19 ITB No. LZM00-02259



Art.br.	b3 (mm)	H (mm)	h (mm)	KK
67685310	1.000	1.150	1.000	1

Kompetabilno

Walraven RapidStrut® Montažna šina (BUP1000)