

Walraven VibraTek® MS-1X-CBL Spring Mount

(L2 05 33)

high performance spring isolator for use with A-L1 welding bracket and concrete inertia base frames

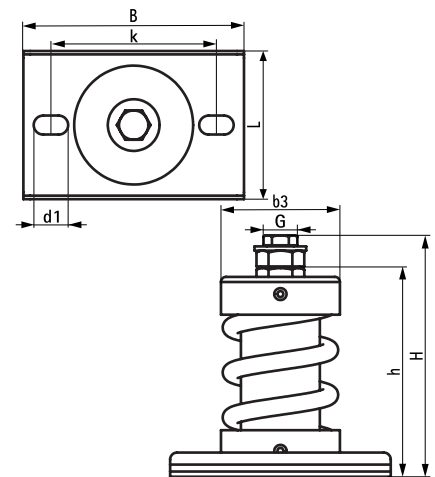


Prednosti i osobine

- recommended for machinery with low working speeds above 600 RPM
- epoxy powder-coated base, caps and springs provide increased resistance to corrosion
- flexible internal filler prevents debris and solid elements entering and damaging the spring under load
- ribs in the metal base provide increased stiffness
- slot holes facilitate positioning and anchoring to the base material
- Technical Data
 - average ratio $K_x / K_z = K_y / K_z = 0.7$
- working temperature range -90 °C till 150 °C

Art.br.	G	L	B	b3	H	h	d1	k	Min. Load (N)	Max. Load (N)	Min. Optimal Load (N)	Max. Optimal Load (N)	Max. Deflection (mm)	KK
2801901000	M10	86 mm	128	Ø 69	140,1	121,2	20 x 11	96	100	1.000	200	920	25,0	13
2801901250	M10	86 mm	128	Ø 69	140,1	121,2	20 x 11	96	130	1.250	250	1.150	25,0	13
2801901500	M10	86 mm	128	Ø 69	140,1	121,2	20 x 11	96	150	1.500	300	1.380	25,0	13
2801902000	M10	86 mm	128	Ø 69	140,1	121,2	20 x 11	96	200	2.000	400	1.840	25,0	13
2801903000	M10	86 mm	128	Ø 69	140,1	121,2	20 x 11	96	300	3.000	600	2.760	25,0	13
2801904000	M10	86 mm	128	Ø 69	140,1	121,2	20 x 11	96	400	4.000	800	3.680	25,0	13
2801905000	M10	86 mm	128	Ø 69	140,1	121,2	20 x 11	96	500	5.000	1.000	4.600	25,0	13
2801906000	M10	86 mm	128	Ø 69	140,1	121,2	20 x 11	96	600	6.000	1.200	5.520	25,0	13

See Product Data Sheet for further technical information.



Kompetabilno

Walraven VibraTek® A-L1 Angle Bracket for Welding