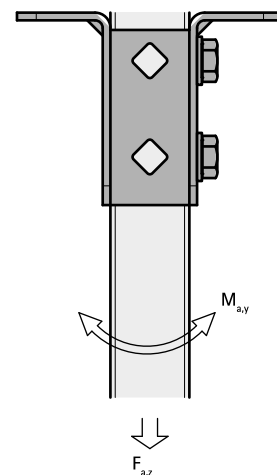


Walraven Strut T-shape Base Plate (BUP1000)

(H 12 12)

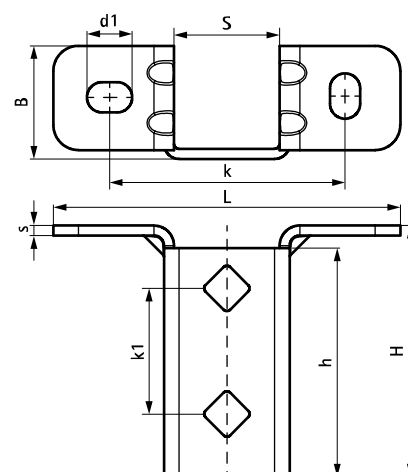


Prednosti i osobine

- highly flexible head plate for strut rails
- open side of the rail can be turned to all sides
- extra safety by reinforced bending
- hole pattern is adapted to the hole pattern of strut rails
- material: steel 1.0242 (S250GD) + ZM310 MAC
- zaštita materijala:
 - proizvod je deo Walraven BIS UltraProtect® sistema
 - pogodan za unutrašnju i spoljašnu upotrebu
 - izdržava min. 1 000 sati sonog sprej testa (max. 5% crvene rdje) prema ISO standardu 9227

Art.br.	L	B	H	h	s	d1	S	k	k1	F _{a,z}	F _{a,z 2}	M _{a,y}	KK
		(mm)	(mm)	(mm)	(mm)	(mm)	(mm)	(mm)	(mm)	(N)	(N)	(Nm)	
66588361	138 mm	45	100	91	4,0	18 x 12	42	95	50	3.636	3.636	164,0	10

F_{a,z}: max. allowed load in combination with 2 slide nuts M10, tightened with 40 Nm.
F_{a,z 2}: max. allowed load in combination with 2 throughbolts M10, tightened with 40 Nm.
M_{a,y}: max. moment in combination with 2 throughbolts M10, tightened with 40 Nm.



Kompetabilno

Walraven RapidStrut® Montažna šina (BUP1000)
 Walraven RapidStrut® Leptirasta klizna navojnica (BUP1000)
 Walraven Podloška - ravna (BUP1000)

Kompetabilno

BIS Hexagon Head Bolts (BUP1000)
 WTB1 Throughbolt Anchor

Alternativa

Walraven RapidStrut® Base Plate G2 (BUP1000)
 Walraven Strut Base Plate Heavy Duty (BUP1000)