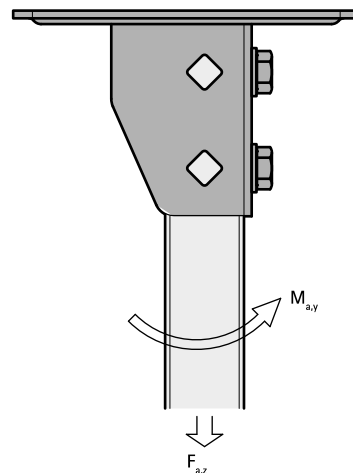


# Walraven Strut Base Plate G2 (zp)

(H 12 11)



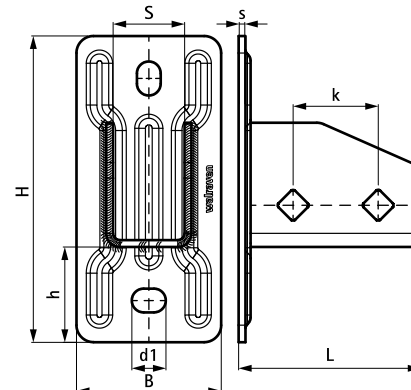
## Prednosti i osobine

- flexible base plate for strut rails
- suitable for all Strut rail up to 82mm height
- open side of rails 41x41 can be turned to all sides
- at high loads we advise to install with throughbolts
- materijal: čelik
- testirane na vatrootpornost prema EN 1366-1
- elektrizom cinkovan



Art.br.	L	B	H	h	s	d1	S	k	F <sub>a,z</sub>	F <sub>a,z 2</sub>	M <sub>a,y</sub>	KK
		(mm)	(mm)	(mm)	(mm)	(mm)	(mm)	(mm)	(N)	(N)	(Nm)	
66583804	107 mm	85	180	56	4,0	20 x 14	42	50	3.636	5.151	485,0	10

*F<sub>a,z</sub>: max. allowed load in combination with 2 slide nuts M10, tightened with 40 Nm.*  
*F<sub>a,z 2</sub>: max. allowed load in combination with 2 throughbolts M10, tightened with 40 Nm.*  
*M<sub>a,y</sub>: max. moment in combination with 2 throughbolts M10, tightened with 40 Nm.*



## Kompetabilno

Walraven RapidStrut® Profilna šina (s.c.)  
 Walraven Podloška - ravna  
 WTB1 Throughbolt Anchor

## Alternativa

Walraven RapidStrut® Base Plate G2 (BUP1000)  
 Walraven Strut Base Plate Heavy Duty (BUP1000)