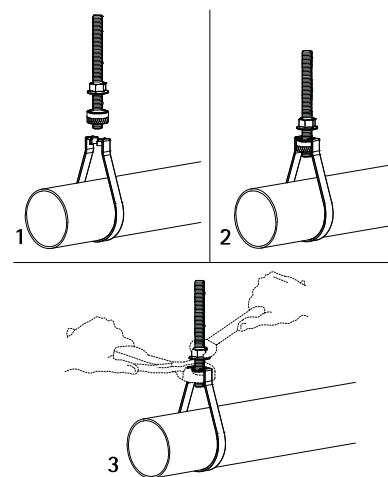


Walraven S-LF Loop Hanger

(B 12 17)

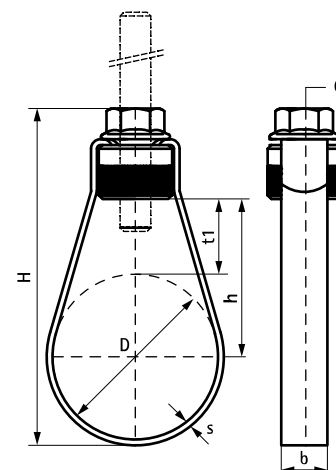
for fixing of ceiling mounted sprinkler installation 26,9 - 219,1 mm



Prednosti i osobine

- easy installation with flange and cap nut
- for pipe suspension from threaded rod or stud bolts
- single band pipe loop with knurled nut and locking nut
- height adjustable, also after pipe insertion
- materijal: čelik
- obujmica sendzimir cinkovana, navojnica elektrolizom cinkovana
- VdS-norma - sertifikat br. G 424001
- with FM approval - certificate number PR470217(> M10)

Art.br.	D (mm)	D (")	DN	G	H (mm)	h (mm)	b x s (mm)	t1 (mm)	F _{a,z} (N)	FM	VdS	KK
45555028	26,9	3/4	20	M8	71	56	12 x 1,50	43	2.000	-	VdS	100
45555035	33,7	1	25	M8	79	61	12 x 1,50	44	2.000	-	VdS	100
45555044	42,4	1 1/4	32	M8	89	66	12 x 1,50	45	2.000	-	VdS	100
45555050	48,3	1 1/2	40	M8	97	71	12 x 1,50	47	2.000	-	VdS	50
45555062	60,3	2	50	M8	112	80	12 x 1,50	50	2.000	-	VdS	50
45565028	26,9	3/4	20	M10	73	58	12 x 1,50	-	2.000	FM	VdS	100
45565035	33,7	1	25	M10	81	63	12 x 1,50	46	2.000	FM	VdS	100
45565044	42,4	1 1/4	32	M10	91	68	12 x 1,50	47	2.000	FM	VdS	100
45565050	48,3	1 1/2	40	M10	108	82	12 x 1,50	58	2.000	FM	VdS	50
45565062	60,3	2	50	M10	114	82	12 x 1,50	52	2.000	FM	VdS	50
45565077	76,1	2 1/2	65	M10	140	99	15 x 2,50	61	3.500	FM	VdS	50
45565090	88,9	3	80	M10	161	114	15 x 2,50	70	3.500	FM	VdS	25
45565108	108,0	-	-	M10	201	144	15 x 2,50	90	3.500	-	VdS	25
45565115	114,3	4	100	M10	204	144	15 x 2,50	87	3.500	FM	VdS	25
45565133	133,0	-	-	M12	223	154	15 x 2,50	88	5.000	-	VdS	20
45565142	139,7	5	125	M12	233	161	15 x 2,50	91	5.000	FM	VdS	20
45565159	159,0	-	-	M12	271	189	15 x 2,50	110	5.000	-	VdS	20
45565170	168,3	6	150	M12	276	189	15 x 2,50	105	5.000	FM	VdS	20
45565221	219,1	8	200	M16	353	241	25 x 2,50	131	8.500	FM	VdS	10



Kompetabilno

BIS Sprinkler obujmica HD500 (BUP1000)
BIS C-klema

Alternativa

BIS Sprinkler obujmica TA41