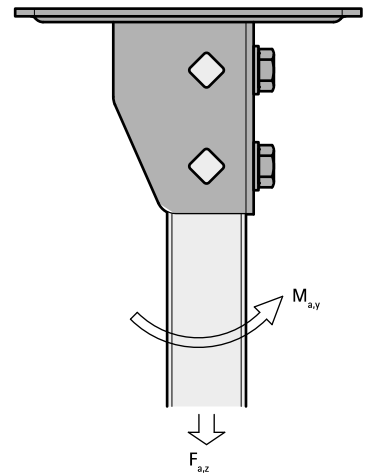
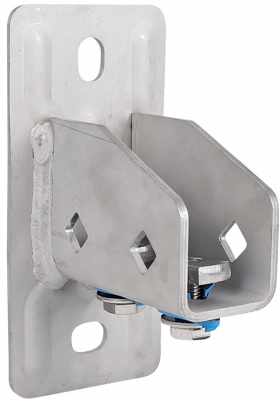


Walraven RapidStrut® Stainless Steel Base Plate G2

(M 51 05)

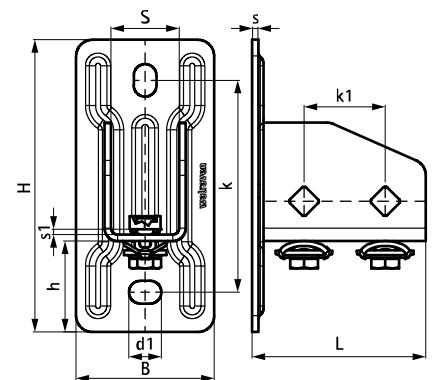


Prednosti i osobine

- flexible base plate for strut rails
- suitable for all Strut rail up to 82mm height
- open side of rails 41x41 can be turned to all sides
- at high loads we advise to install with throughbolts
- timesaving with pre-assembled fasteners
- material: stainless steel 1.4401/1.4404 (A4) – EN10088, AISI 316/316L; spring(s) made of of POM (polyoxymethylene), blue (according to RAL 5015)

Art.br.	L	B	H	h	s	s1	d1	S	k	k1	F _{a,z}	F _{a,z 2}	M _{a,y}	KK
	(mm)	(mm)	(mm)	(mm)	(mm)	(mm)	(mm)	(mm)	(mm)	(mm)	(N)	(N)	(Nm)	
665875400	107 mm	85	180	56	4,0	5,0	20 x 14	42	130	50	3.636	5.151	485,0	10

F_{0,z}: max. allowed load in combination with 2 slide nuts M10, tightened with 40 Nm.
F_{0,z 2}: max. allowed load in combination with 2 throughbolts M10, tightened with 40 Nm.
M_{0,y}: max. moment in combination with 2 throughbolts M10, tightened with 40 Nm.



Kompetabilno

Walraven RapidStrut® Stainless Steel
 Fixing Rail Double
 WT1 Throughbolt Anchor SSt