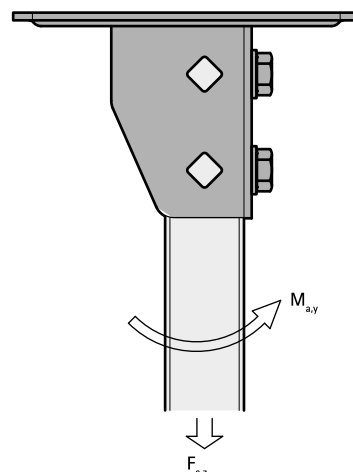


Walraven RapidStrut® Base Plate G2 (BUP1000)

(H 12 03)



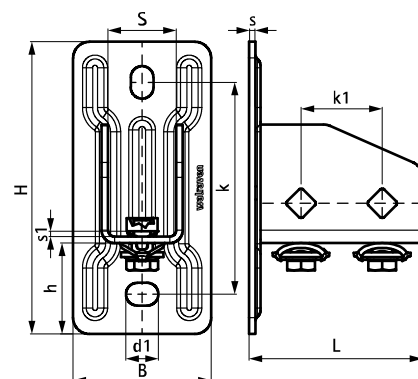
Prednosti i osobine

- flexible base plate for strut rails
- suitable for all Strut rail up to 82mm height
- open side of rails 41x41 can be turned to all sides
- at high loads we advise to install with throughbolts
- timesaving with pre-assembled fasteners
- testirane na vatrootpornost prema EN 1366-1
- materijal: metalni dijelovi čelik 1.0332; fleksibilni prsten POM (polyoximethilen), zelena boja
- zaštita materijala:
 - proizvod je deo Walraven BIS UltraProtect® sistema
 - pogodan za unutrašnju i spoljašnu upotrebu
 - izdržava min. 1 000 sati sonog sprej testa (max. 5% crvene rdje) prema ISO standardu 9227



Art.br.	L	B	H	h	s	d1	S	k	k1	F _{a,z}	F _{a,z 2}	M _{a,y}	KK
		(mm)	(mm)	(mm)	(mm)	(mm)	(mm)	(mm)	(mm)	(N)	(N)	(Nm)	
665885400	107 mm	85	180	56	4,0	20 x 14	42	130,5	50	3.636	5.151	485,0	10

F_{a,z}: max. allowed load in combination with 2 slide nuts M10, tightened with 40 Nm.
F_{a,z 2}: max. allowed load in combination with 2 throughbolts M10, tightened with 40 Nm.
M_{a,y}: max. moment in combination with 2 throughbolts M10, tightened with 40 Nm.



Kompetabilno

Walraven RapidStrut® Profilna šina DS 5 (BUP1000)
 Walraven RapidStrut® Montažna šina (BUP1000)
 Walraven RapidStrut® Lentirasta klizna

Kompetabilno

Walraven Podloška - ravna (BUP1000)
 BIS Hexagon Head Bolts (BUP1000)
 WTB1 Throughbolt Anchor

Alternativa

Walraven Strut Base Plate Heavy Duty (BUP1000)