

Walraven RSWB

(J 50 175)

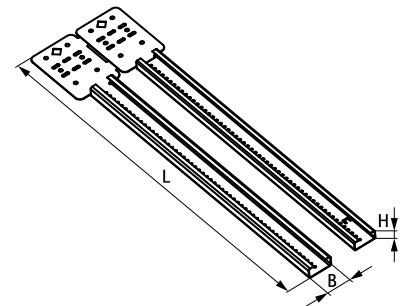
Rapid Sliding Wall Bracket



Prednosti i osobine

- extendable bracket for faster mounting of electrical boxes, conduit and pipework
- suitable for use in stud walls and floor joists
- can be fixed to wood or metal joists
- quicker and easier to install than traditional methods
- can be set at multiple depths
- combine with starQuick® clamps or RapidRail Hammerfix for even faster fixing
- Part No. 59491016: shorter version expands from 10 - 16" (25 - 40 cm)
- Part No. 59491624: longer version expands from 16 - 24" (40 - 60 cm)
- galvanski cinkovan

Art.br.	Model	L	B (mm)	H (mm)	KK
59491016	10 - 16" (25 - 40 cm.)	323 mm	29,2	13,7	50
59491624	16 - 24" (40 - 60 cm.)	440 mm	29,2	13,7	50



Kompetabilno

Walraven RapidRail® Hammerfix
Walraven RapidRail® Klizna navojnica