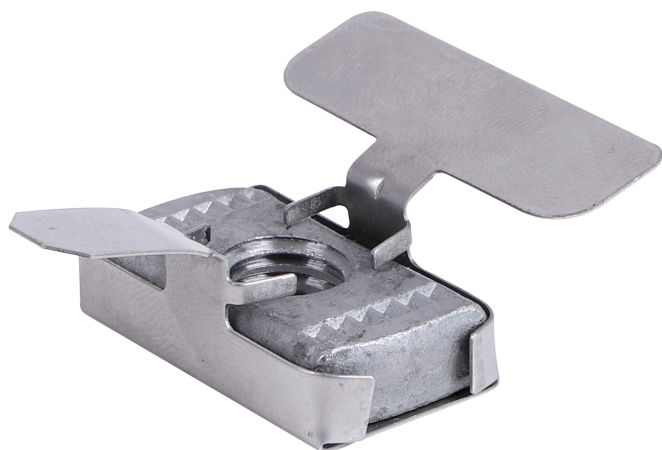


## Walraven Maxx Wingnut

(H2 05 23)

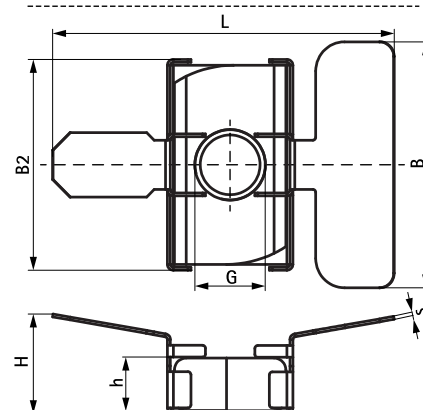
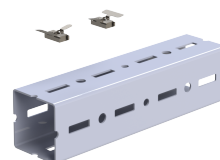
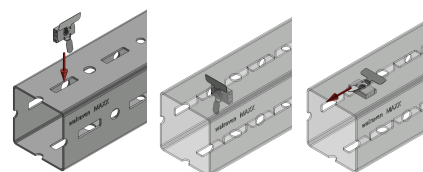
for connecting clamps and brackets to Maxx Heavy Rail Profiles



### Prednosti i osobine

- patented slide nut for connecting clamps, sliders or RapidStrut® Rails to Maxx Profiles
- advised to be used with threaded rods M12, washers 40mm and hexagon nuts M12
- to be used with thread adaptors for connecting clamps M16 or 1/2"
- material: slide nut made from steel 1.0332; aid tray made from stainless steel 1.4301
- slide nut: hot dip galvanized

Art.br.	Tipa	G	L	B	B2	H	h	s	T <sub>inst</sub>	F <sub>a,z</sub>	F <sub>a,x</sub>	KK
				(mm)	(mm)	(mm)	(mm)	(mm)	(Nm)	(N)	(N)	
651867112	WN	M12	58,3	42	36	17	9	0,5	50,0	11.400	2.100	40



### Kompetabilno

Walraven Strut Podloška - ravna (BUP1000)  
BIS Navojnica (BUP1000)  
BIS Expansion Device (BUP1000)

### Kompetabilno

BIS Hexagon Head Bolts (BUP1000)