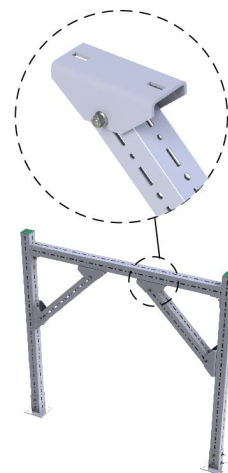
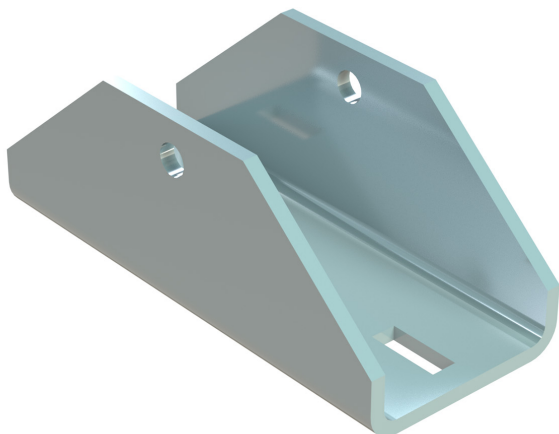


# Walraven Maxx Hinged Connector

(H2 05 20)

for hinged connections with Maxx profiles



## Prednosti i osobine

- U-shaped plate for hinged connections made from Maxx Profiles
- applicable as bracing element for Maxx Profile constructions
- 6581808 to be used in combination with MX80 profiles and Bolt Set M16x120mm (Part No. 614581612, to be ordered seperately)
- 6581815 to be used in combination with MX100 profiles and Bolt Set M16x140mm (Part No. 614581614, to be ordered seperately)
- material: steel 1.0044 (S275JR)
- termički cinkovan

Art.br.	L	B	H	s	d1	d2	k	Za šina	F <sub>a,z</sub>	KK	Jl
		(mm)	(mm)	(mm)	(mm)	(mm)	(mm)		(N)		
6581808	268 mm	97	100	8	40x14	17	200	MX80	14.100	1	kom.
6581815	268 mm	117	107	8	40x14	17	200	MX100	14.100	1	kom.

