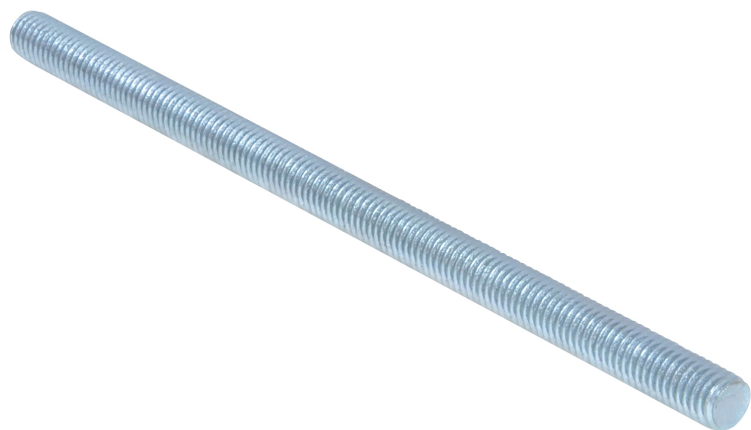


WIS Threaded Rod

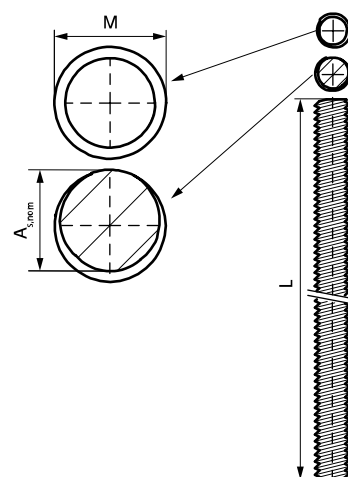
(L 03 130)



Prednosti i osobine

- po DIN-u 976-1
- thread with 60° angle provides best performance
- materijal: čelik, klasa snage 8.8
- elektrizom cinkovan

Art.br.	Kode	Thread (M)	L	$A_{s,nom}$ (mm ²)	$F_{a,z}$ (N)	MS
63039108	WIS TR M8x1000	M8	1 m	36,6	19.500	50
63039110	WIS TR M10x1000	M10	1 m	58,0	30.900	25
63039112	WIS TR M12x1000	M12	1 m	84,3	45.000	20
63039116	WIS TR M16x1000	M16	1 m	157,0	83.700	10



Kompetabilno

WSDS+ Drill with 3 Cutting Edges

Alternativa

WIS Threaded Rod SSr