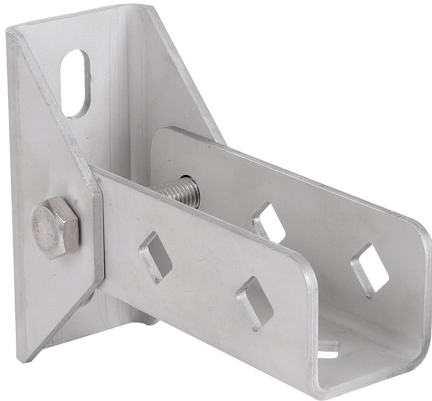


## BIS Strut Stainless Steel Wall Plate (Hinged)

(M 53 15)

fixing to wall, floor or ceiling

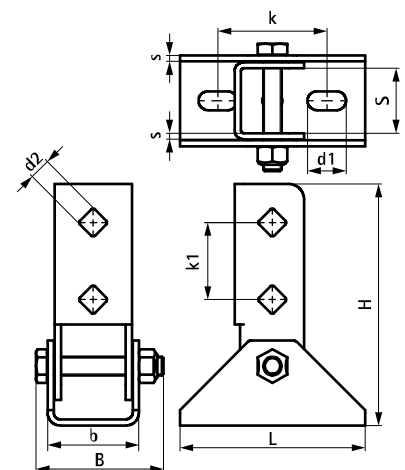


### Prednosti i osobine

- zidna ploča (sedlasta) sa zglobnim U-profilom
- for fixing of rail to wall, floor or ceiling
- idealna izvedba otvora za pričvršćivanje omogućava fleksibilnu montažu profilne šine u različitim položajima
- idealno rješenje za izradu stabilnih ojačanja konstrukcije šina Strut 41x41
- material: stainless steel 1.4404 (A4) - EN 10088, AISI 316L

Art.br.	L	B	H	b	s	d1	d2	S	k	k1	Za šina	F <sub>a,z 2</sub>	KK
	(mm)	(mm)	(mm)	(mm)	(mm)	(mm)	(mm)	(mm)	(mm)	(mm)		(N)	
66587814	120 mm	83	157	59	4,0	25x12,2	13,8	42	71	50	Strut	9.700	10 *

\* Tested with rail 41x41x2.5 with throughbolts. More details can be found on the Technical Datasheet.



### Kompetabilno

Walraven RapidStrut® Stainless Steel  
 Fixing Rail Double  
 WT1 Throughbolt Anchor SS  
 WD11 Drop-in Anchor SS