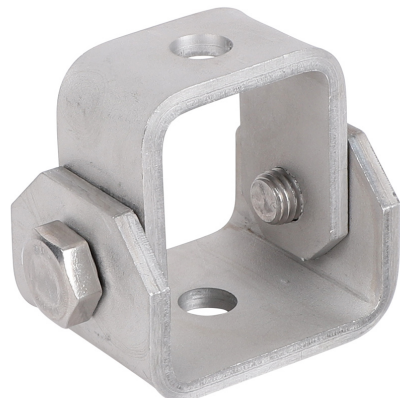


BIS Strut Stainless Steel Adjustable Support

(M 53 20)

fixing to wall, floor or ceiling

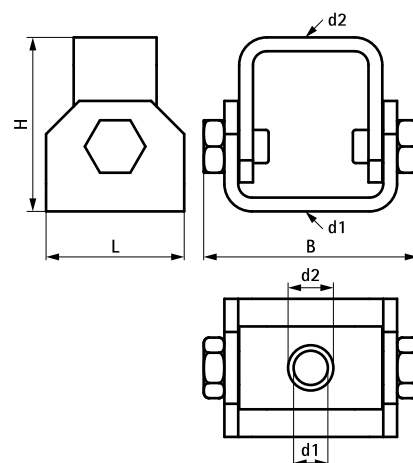


Prednosti i osobine

- especially for angled installations with bracings
- adjustable angel up to 90°
- suitable for fixing to wall, ceiling, floor or directly on rails
- sa dve rupe Ø13 mm
- material: stainless steel 1.4401 (A4) - EN 10088, AISI 316

Art.br.	L	B	H	d1	d2	Za šina	F _{a,z}	KK
		(mm)	(mm)	(mm)	(mm)		(N)	
66587718	50 mm	78	63	Ø 13,0	Ø 13,0	Strut	5.000	10

Max. allowed load: when used at an angle of 45° on wall/ceiling.



Kompetabilno

Walraven RapidStrut® Stainless Steel
 Fixing Rail Double
 WTB1 Throughbolt Anchor SSt
 WD11 Drop-in Anchor SSt