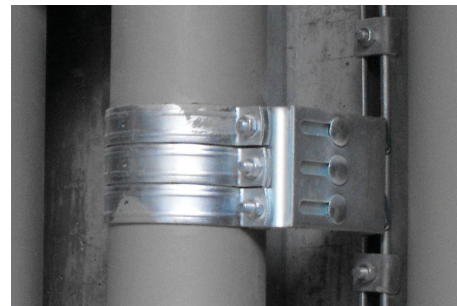


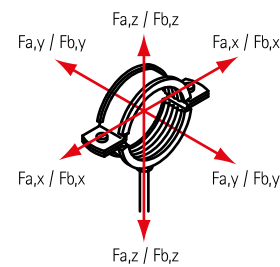
Stainless Steel Fixpoint Console FPC 'Medium'

(M 19 02)



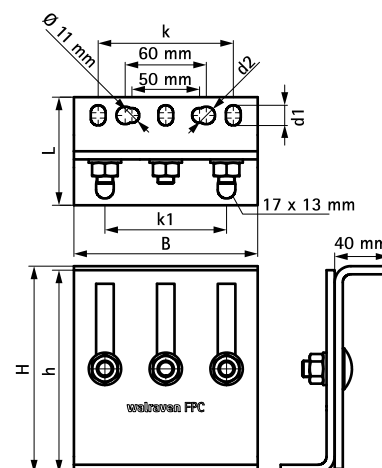
Prednosti i osobine

- flexible use console module for high forces (depending on the situation, detailed design by technical service)
- can be used as a pipe connection point in conjunction with 2 or 3 heavy-duty clamps type Stainless Steel Heavy Duty Clamps and Stainless Steel Heavy Duty Clamps with Lining
- tightening torque 75 Nm for the console fixing screws
- material: metal parts made of stainless steel 1.4404 (A4) - EN 10088, AISI 316L; bolts, nuts, washers made of stainless steel 1.4401 (A4) - EN 10088, AISI 316



Art.br.	L	B	H	h	d1	d2	k	k1	F _{a,z}	F _{a,y}	F _{a,x}	KK
	(mm)	(mm)	(mm)	(mm)	(mm)	(mm)	(mm)	(mm)	(N)	(N)	(N)	
6697206	80 mm	136	153 - 268	150	15 x 11	Ø 13,0	100	90	14.300	11.500	3.200	2 *

* Depending on the situation, please contact Walraven Technical Support for advice on safe loads.
Note! Clamps and Console are to be ordered separately.



Kompetabilno

Stainless Steel Heavy Duty Clamp with Lining
Stainless Steel Heavy Duty Clamp
WTB1 Throughbolt Anchor