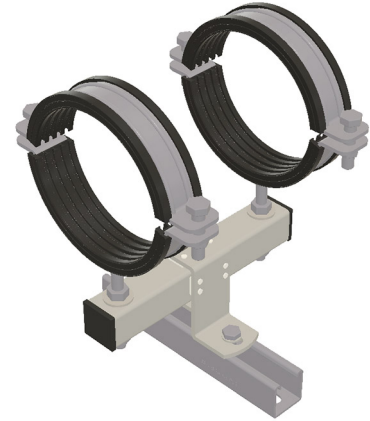
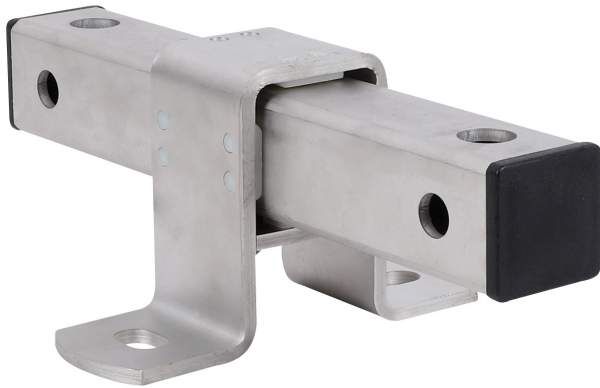


BIS Stainless Steel Expansion Guide Assembly

(M 19 10)

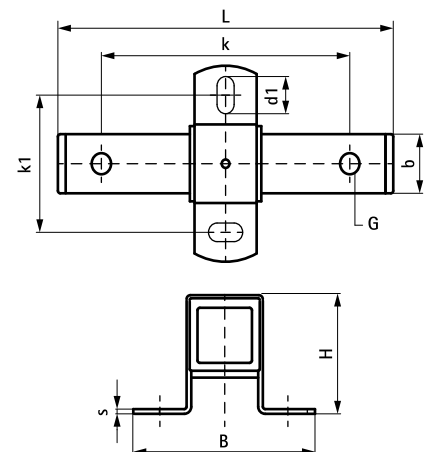
za axialne dilatacije



Prednosti i osobine

- stable and safe double support for pipe expansion
- fix directly on the building structure or in combination with rail systems
- suitable for ceiling mounting (suspended) and floor mounting (standing mounted)
- tapped with different sized connecting holes (13/17 mm) on opposing faces
- can be combined with HD1501 or HD500 clamps
- material: metal parts made of stainless steel 1.4404 (A4) - EN 10088, AISI 316; sliding strips made of PE colour white, endcaps made of PE colour black

Art.br.	Tipa	G	L	B	H	b	s	d1	k	k1	SL (max.)	F _{a,z} (N)	F _{a,z} (kg)	KK
6667813	FG3	Ø 13,0 mm / 17,0 mm	255 mm	146 (mm)	90 (mm)	40 (mm)	5,0 (mm)	20 x 13 (mm)	200 (mm)	100 (mm)	120 (mm)	7.500 (N)	750 (kg)	5



Kompetabilno

Stainless Steel Heavy Duty Clamp with Lining
 Stainless Steel Heavy Duty Clamp
 WT B1 Throughbolt Anchor SST