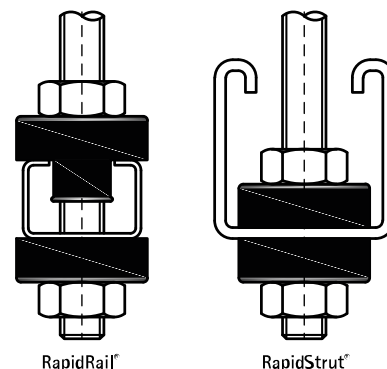


BIS Gumeni zvučno izolacioni prigušivač

(F05 25)

za prigušivanje zvuka

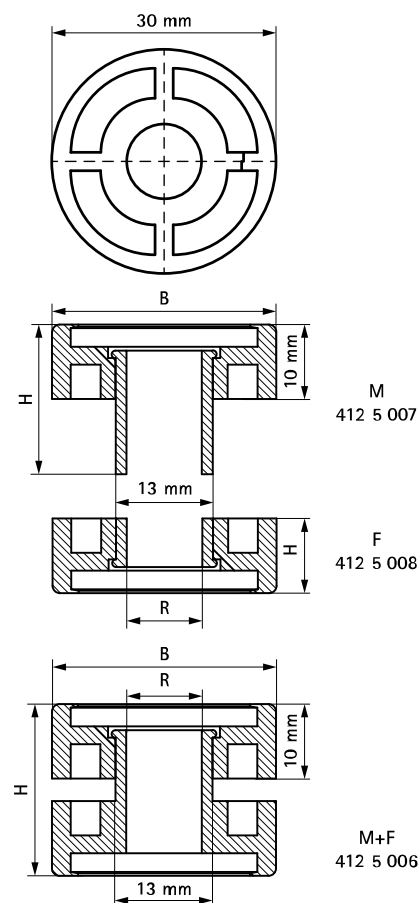


Prednosti i osobine

- prigušivač
- npr. za sprečavanje prenosa zvuka i vibracija u raznim situacijama i načinima ovjesa
- rubber absorption pieces are suitable to use with RapidStrut® Rails and RapidRail® Profiles
- noise insulation up to 16dB(A) on average, when combined with RapidRail® 27x18, compared to directly installed clamps
- materijal: čelik sa zvučno izolacionim elementom od TPE-gume, crne boje
- elektrizom cinkovan

Art.br.	Tipa	R	B (mm)	H (mm)	F _{a,z} (N)	KK
4125006	M + F	10,1	30	23,0	600	50

The maximum allowed load can be higher under strict conditions and is depending on the frequency, for conditions and details please consult our technical department



Kompetabilno

Walraven RapidStrut® Profilna šina (s.c.)
Walraven Navojne šipke
Walraven RapidRail® Fixing Rail