

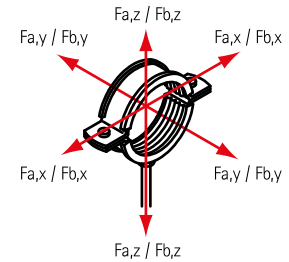
## BIS Fixpoint Console 'Light' (BUP1000)

(E 05 49)



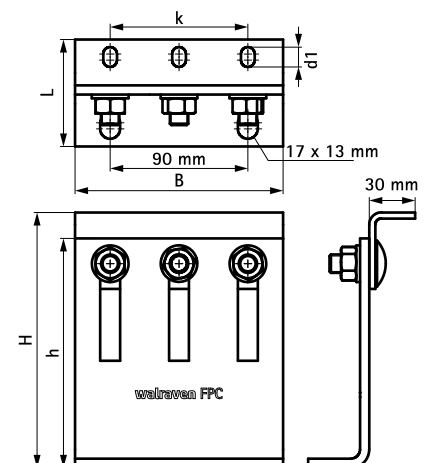
## Prednosti i osobine

- flexible use console module for high forces up to 5 KN (depending on the situation, detailed design by technical service)
- tested as a sound-insulated fixed point with lined heavy duty clamps
- can be used as a pipe connection point in conjunction with 2 or 3 heavy-duty clamps type HD500 (up to 140 mm) or HD1501 (up to 154 mm)
- tightening torque 75 Nm for the console fixing screws
- connection to the building is recommended with metal anchors M12
- infinitely adjustable height and inclination, high corrosion protection
- materijal: čelik 1.0332
- zaštita materijala:
  - proizvod je deo BIS UltraProtect® sistema
  - pogodan za unutrašnju i spoljašnju upotrebu
  - izdržava min. 1 000 sati sonog sprej testa (max. 5% crvene rdje) prema ISO standardu 9227



Art.br.	L	B	H	h	d1	k	KK	
		(mm)	(mm)	(mm)	(mm)	(mm)		
6698204	70 mm	136	110 - 167	150	13 x 9	90	1	*

\* Depending on the situation, please contact Walraven Technical Support for advice on safe loads.  
Note! Clamps and Console are to be ordered separately.



## Kompetabilno

BIS Ekstra teške objumice HD1501 (BUP1000)  
BIS Ekstra teške objumice HD1501 (BUP1000)  
BIS Ekstra teške objumice HD1501

## Kompetabilno

WTB1 Throughbolt Anchor  
WDI1 Drop-in Anchor