

BIS Expansion Devices

(E 10 22)

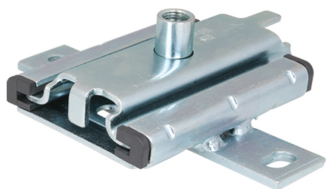
za axialne dilatacije



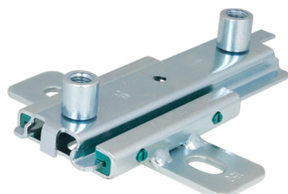
666 3 410



666 3 412



666 3 416



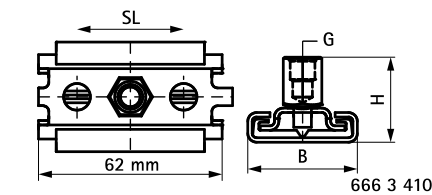
666 3 210

Prednosti i osobine

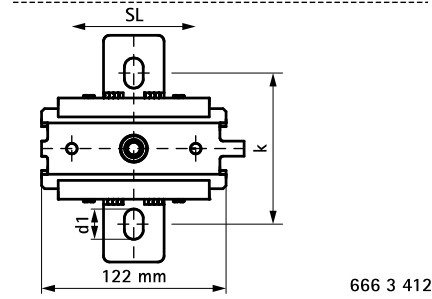
- single and double brackets for pipe extensions
- friction coefficient $\mu = 0.18$; Sliding friction coefficient $\mu = 0.14$
- fix directly on the building structure or in combination with rail systems
- elektrizom cinkovan
- suitable for ceiling mounting (suspended) and floor mounting (standing mounted)
- postojana na temperaturu do +120 °C
- a variety of connection possibilities, can be combined with all pipe clamps
- Art.br. 6663416: temperature resistance up to +240 °C
- material: metal parts made of steel; plastic parts made of POM (polyoxymethylene) / PPS (polyamphenylensulfid)

Art.br.	Model	G	B	H	d1	k	SL (max.)	F _{a,z}	F _{a,z 2}	KK
			(mm)	(mm)	(mm)	(mm)	(mm)	(N)	(N)	
6663410	Jednodijelna	M8/10	37	29	8,4	-	42	700	700	50
6663412	Jednodijelna	M10/12	150	46	20 x 12,5	100	80	2.300	2.300	10
6663416	Jednodijelna	M12/16	188	57	20 x 12,5	157	120	5.000	9.000	10
6663210	Dvodijelna	M10/12	150	46	20 x 12,5	100	140	2.300	2.300	10

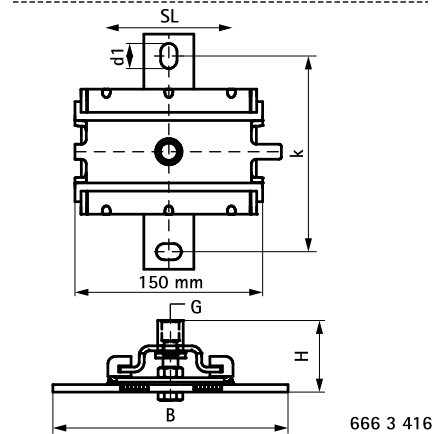
F_{a,z} = standing mounted; F_{a,z2} = suspended.



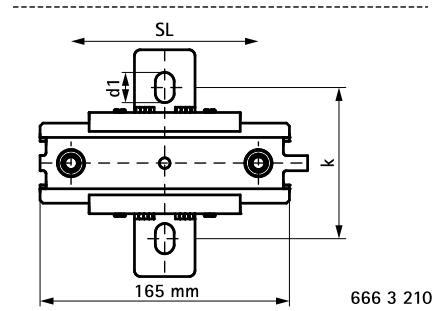
666 3 410



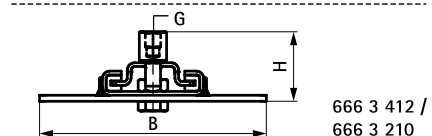
666 3 412



666 3 416



666 3 210



666 3 412 /
666 3 210

Kompetabilno

Walraven Navojni štiftovi
Walraven Navojne šipke
WDI1 Drop-in Anchor

Kompetabilno

WTB1 Throughbolt Anchor

Alternativa

BIS Expansion Device (BUP1000)
BIS Expansion Guide Assembly (BUP1000)